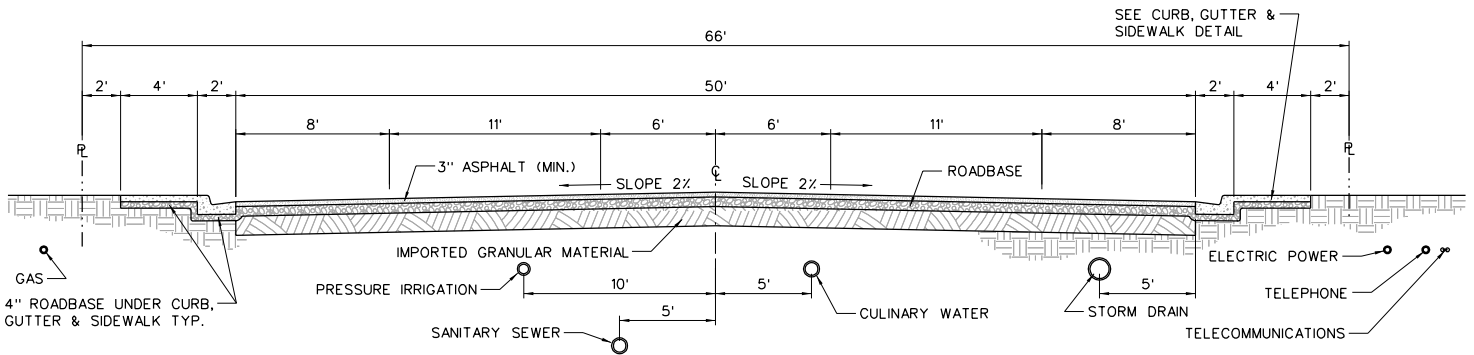


50' STREET CROSS-SECTION
LOOKING NORTH OR WEST



66' STREET CROSS-SECTION
LOOKING NORTH OR WEST

NOTES:

1. WHEREVER POSSIBLE, CULINARY WATER LINES SHALL BE INSTALLED ON THE NORTH AND EAST SIDE OF THE STREET
2. FIRE HYDRANTS SHALL BE LOCATED EVERY 400 FEET AND ON THE SAME SIDE AS THE CULINARY WATER LINES OR AS APPROVED BY THE CITY.
3. WATER VALVES SHALL BE ALIGNED WITH PROPERTY LINES WHERE POSSIBLE.
4. NO CULINARY WATER LINE SMALLER THAN 8" DIA. SHALL BE INSTALLED WITHOUT APPROVAL OF PUBLIC WORKS.
5. NO PRESSURE IRRIGATION LINE SMALLER THAN 4" DIA. SHALL BE INSTALLED WITHOUT APPROVAL OF PUBLIC WORKS.
6. IMPORTED GRANULAR MATERIAL, ROADBASE AND WHERE NECESSARY ASPHALT THICKNESS WILL BE DETERMINED BY PAVEMENT DESIGN.
7. TELECOMMUNICATIONS CONDUIT SHALL BE LAID WHERE TELEPHONE CONDUIT IS LAID.
8. REQUIRED COVER OVER UTILITY LINES ARE AS FOLLOWS:
 - CULINARY WATER - 48" MINIMUM
 - PRESSURE IRRIGATION - 24" MINIMUM
 - SANITARY SEWER - PER DESIGN
 - STORM DRAIN - PER DESIGN
 - TELECOMMUNICATIONS - 24" MINIMUM
 - ALL OTHERS - PER UTILITY REQUIREMENTS
9. SIDEWALK NOT REQUIRED IN INDUSTRIAL ZONES WEST OF GENEVA ROAD.



STATEMENT OF USE

THIS DOCUMENT AND ANY ILLUSTRATIONS HEREON ARE PROVIDED AS STANDARD CONSTRUCTION DETAILS WITHIN LINDON CITY. DEVIATION FROM THIS DOCUMENT REQUIRES APPROVAL OF LINDON CITY, LINDON CITY CORPORATION AND J-U-B ENGINEERS CAN NOT BE HELD LIABLE FOR MISUSE OR CHANGES REGARDING THIS DOCUMENT.

REVISION

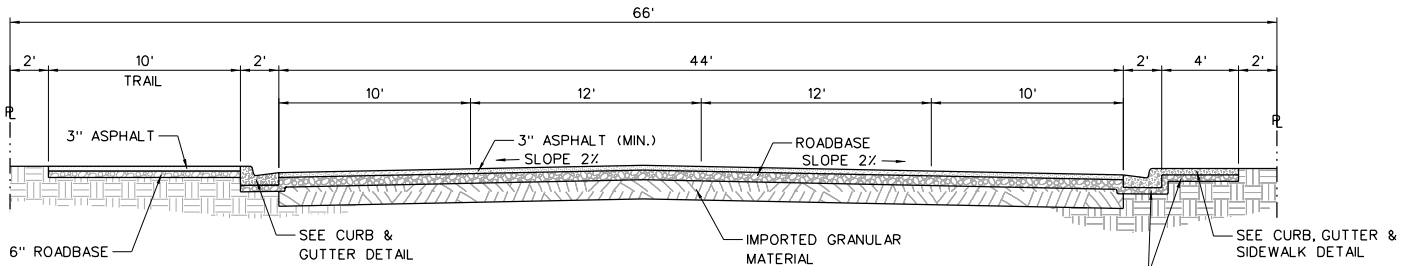
NO.	DESCRIPTION	BY	APPR.	DATE
2	REVISE 100' STREET CROSS SECTION	CAF	M.C.	1/22/04
3	ADDED TELECOMMUNICATION CONDUIT	EEA	M.C.	1/11/05
4	REVISED 100' STREET CROSS SECTION	CZE	M.C.	12/15/06
5	ADDED NOTE 3	TRG	M.C.	1/25/08



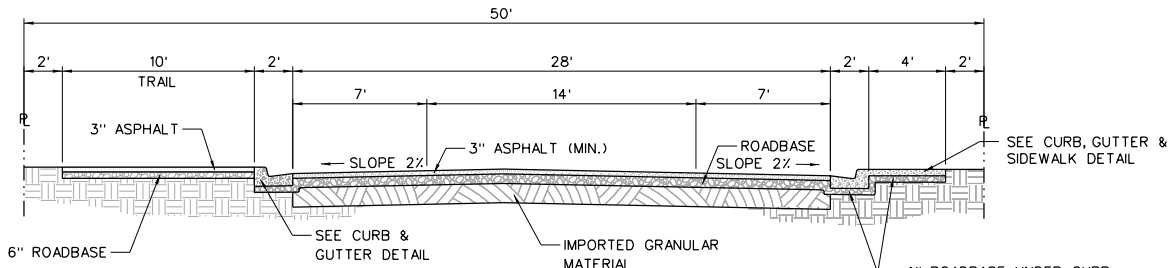
STANDARD STREET CROSS SECTIONS
AND UTILITY LOCATIONS

LINDON CITY
100 NORTH STATE

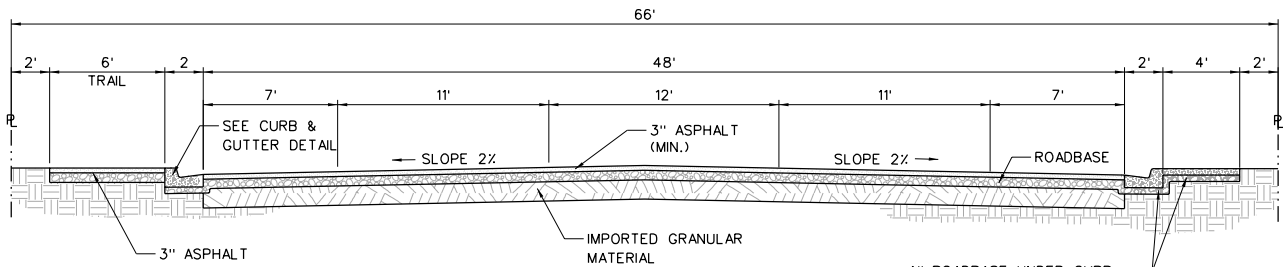
STANDARD DRAWING NUMBER:	2a
CAD DWG: LC StdDwg.dgn	
PLOT SCALE:	1:000
DRAWN BY:	MJ
DESIGN BY:	DCI
CHECKED BY:	MLC
ADOPTED DATE:	15 JAN 08



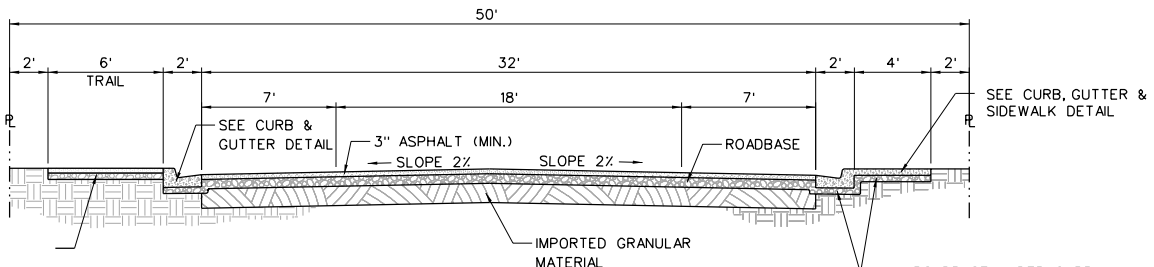
**TRAIL-TYPE STREET CROSS-SECTION
10' TRAIL IN 66' R/W**



**TRAIL-TYPE STREET CROSS-SECTION
10' TRAIL IN 50' R/W**



**TRAIL-TYPE STREET CROSS-SECTION
6' TRAIL IN 66' R/W**



**TRAIL-TYPE STREET CROSS-SECTION
6' TRAIL IN 50' R/W**

NOTES:

1. UTILITY LOCATIONS AND NOTES APPLY AS SHOWN ON THE STANDARD STREET CROSS SECTIONS AND UTILITY LOCATIONS STANDARD DRAWING (STANDARD DRAWING NUMBER 2A).
2. IMPORTED GRANULAR MATERIAL, ROADBASE AND WHERE NECESSARY ASPHALT THICKNESS WILL BE DETERMINED BY PAVEMENT DESIGN.
3. STREETS WITH 4' CONCRETE TRAILS HAVE THE SAME CROSS SECTIONS AS THE STANDARD STREET CROSS SECTIONS.
4. WHERE CURB AND GUTTER EXISTS, OR FOR OTHER REASONS, 6' TRAIL MAY BE PLACED AGAINST THE RIGHT-OF-WAY-LINE.
5. SIDEWALK NOT REQUIRED IN INDUSTRIAL ZONES WEST OF GENEVA ROAD.



STATEMENT OF USE

THIS DOCUMENT AND ANY ILLUSTRATIONS HEREON ARE PROVIDED AS STANDARD CONSTRUCTION DETAILS WITHIN LINDON CITY. DEVIATION FROM THIS DOCUMENT REQUIRES APPROVAL OF LINDON CITY, LINDON CITY CORPORATION AND J-U-B ENGINEERS CAN NOT BE HELD LIABLE FOR MISUSE OR CHANGES REGARDING THIS DOCUMENT.

REVISION

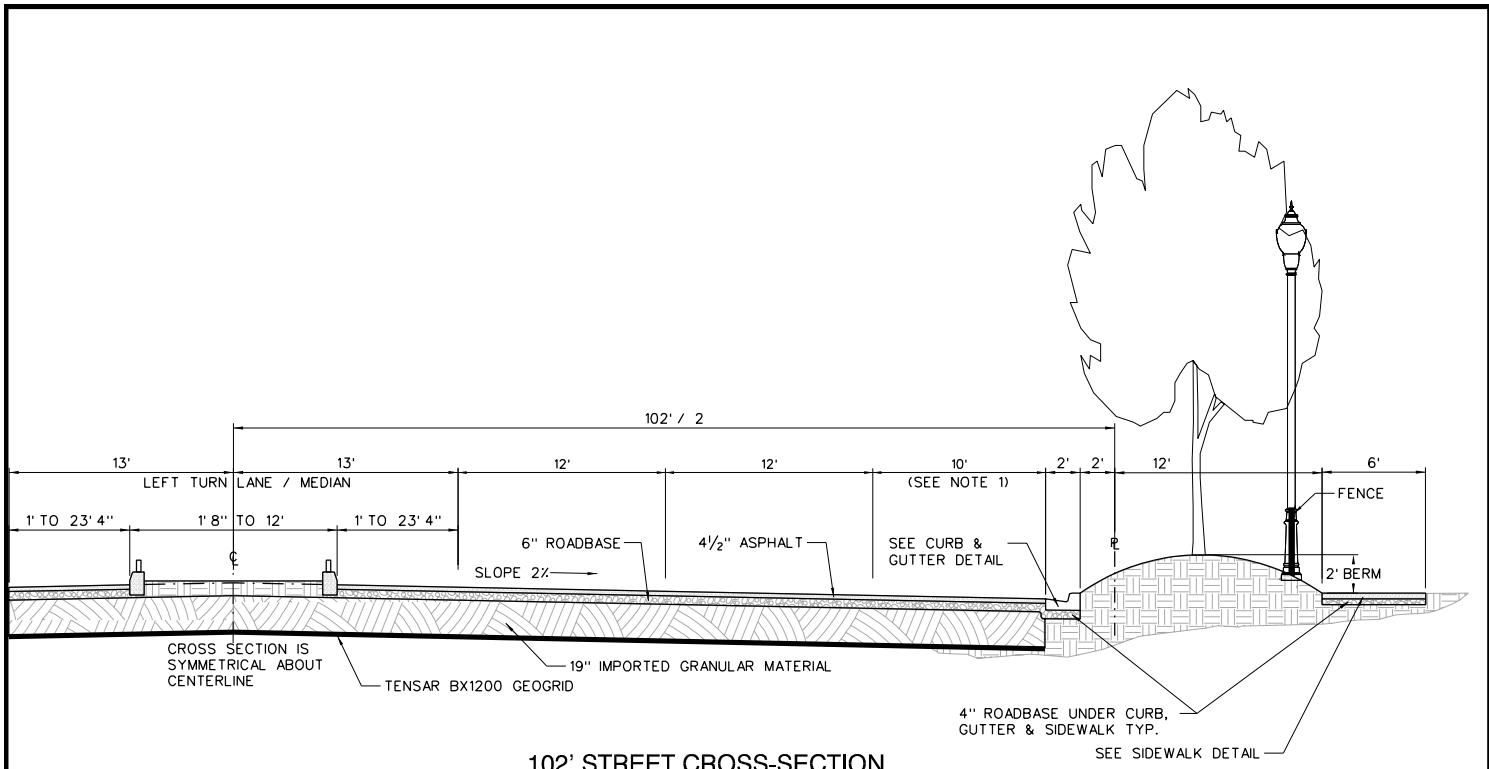
NO.	DESCRIPTION	BY	APR	DATE
1	CHANGE DRAWING TITLE	DMF	MLC	1/21/03
2	CREATE TRAIL-TYPE STREET CROSS SECTIONS	CJC	MLC	12/14/06
3	ADDED NOTE 5	TRG	MLC	1/09/08



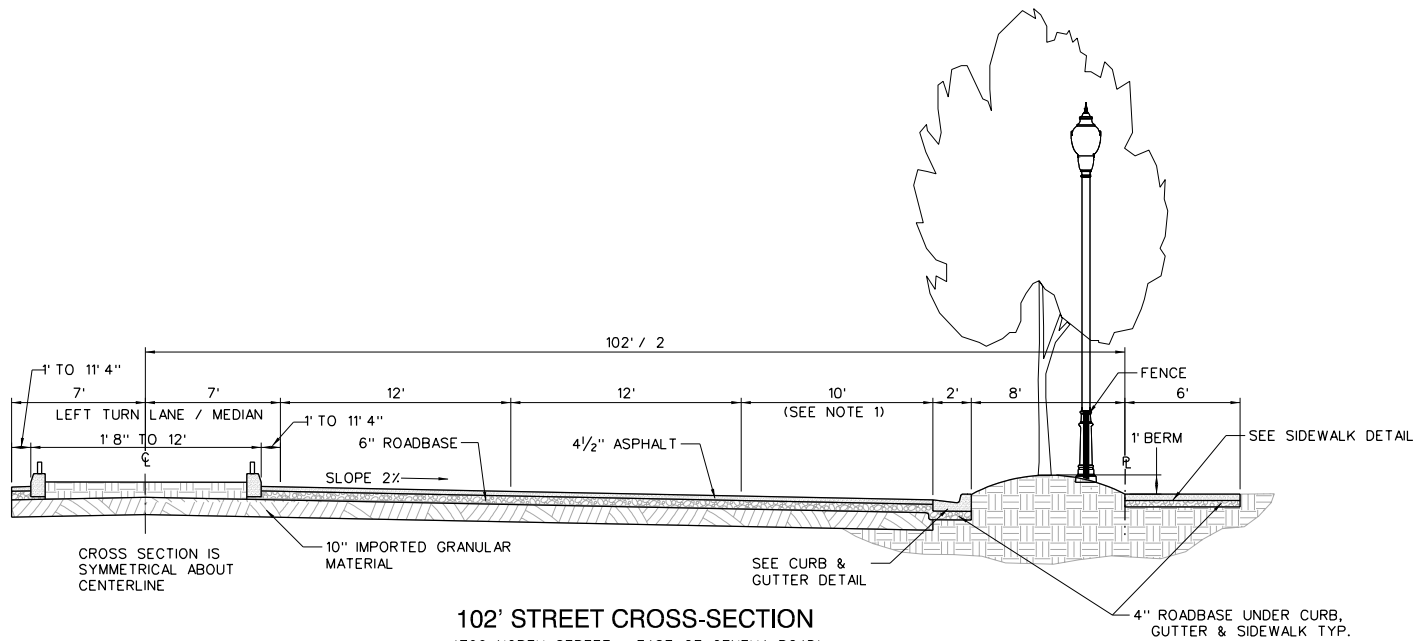
**TRAIL-TYPE STREET CROSS SECTIONS
AND UTILITY LOCATIONS**

LINDON CITY
100 NORTH STATE

STANDARD DRAWING NUMBER:	2b
CAD DWG: LC StdDwg.dgn	
PLOT SCALE:	1:000
DRAWN BY:	CJC
DESIGN BY:	MLC
CHECKED BY:	MLC
ADOPTED DATE:	15 JAN 08



102' STREET CROSS-SECTION
(700 NORTH STREET - WEST OF GENEVA ROAD)



102' STREET CROSS-SECTION
(700 NORTH STREET - EAST OF GENEVA ROAD)

- NOTES:
1. RIGHT TURN LANE / EMERGENCY LANE. THIS LANE IS 5' WIDE JUST BEYOND EACH INTERSECTION, AFTER WHICH IT WIDENS TO 10' WIDE.
 2. FENCES ARE TYPICALLY 2' FROM THE SIDEWALK, WITH GAPS IN THE FENCE FOR THE LIGHT POLES
 3. LIGHT POLES ARE TYPICALLY 2' FROM THE SIDEWALK, AND SPACED EVERY 100 FEET.
 4. TREES ARE TO BE CENTERED IN THE PLANTING AREA, AND SPACED IN ACCORDANCE WITH THE ADOPTED TREE PLANTING GUIDE.



STATEMENT OF USE

THIS DOCUMENT AND ANY ILLUSTRATIONS HEREON ARE PROVIDED AS STANDARD CONSTRUCTION DETAILS WITHIN LINDON CITY. DEVIATION FROM THIS DOCUMENT REQUIRES APPROVAL OF LINDON CITY, LINDON CITY CORPORATION AND J-U-B ENGINEERS CAN NOT BE HELD LIABLE FOR MISUSE OR CHANGES REGARDING THIS DOCUMENT.

REVISION

NO.	DESCRIPTION	BY	APR	DATE
1	REPLACED PREVIOUS DETAIL WITH 700 NORTH STREET CROSS SECTIONS	CJC	M.C.	12/15/06
2	UPDATED DIMENSIONS	SAC	M.C.	12/22/08

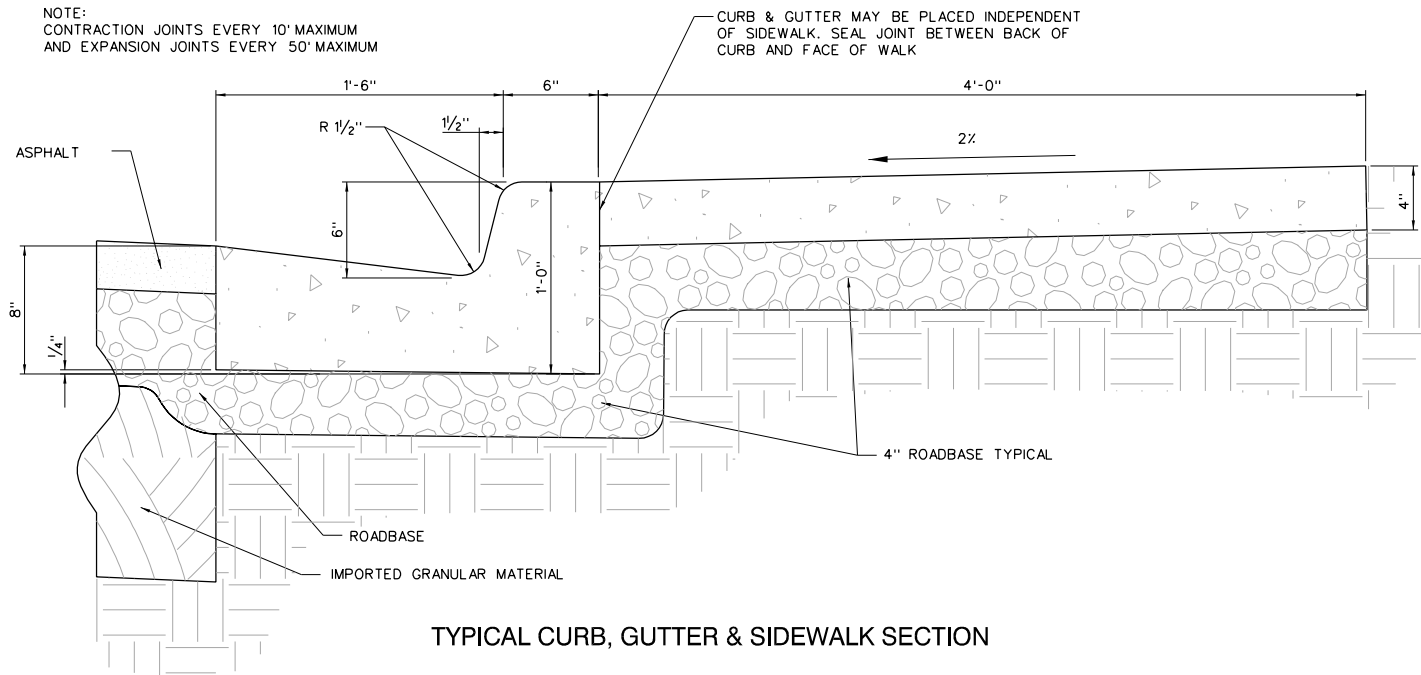


700 NORTH STREET CROSS SECTIONS

LINDON CITY
100 NORTH STATE

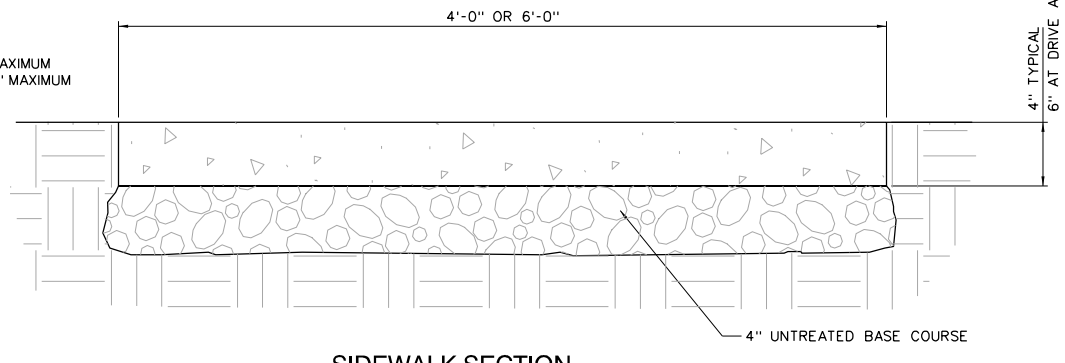
STANDARD DRAWING NUMBER:	2c
CAD DWG: LC StdDwg.dgn	
PLOT SCALE:	1:000
DRAWN BY:	CJC
DESIGN BY:	M.C.
CHECKED BY:	M.C.
ADOPTED DATE:	8 JAN 09

NOTE:
CONTRACTION JOINTS EVERY 10' MAXIMUM
AND EXPANSION JOINTS EVERY 50' MAXIMUM



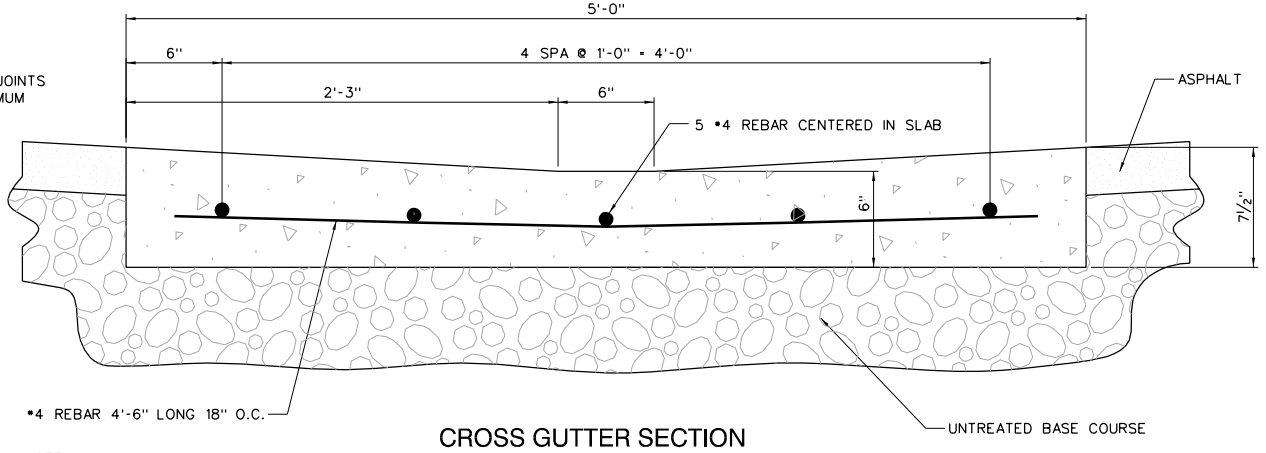
TYPICAL CURB, GUTTER & SIDEWALK SECTION

NOTE:
CONTRACTION JOINTS EVERY 10' MAXIMUM
AND EXPANSION JOINTS EVERY 50' MAXIMUM



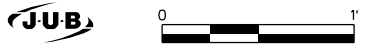
SIDEWALK SECTION

NOTE:
CONTRACTION JOINTS
EVERY 5' MAXIMUM



CROSS GUTTER SECTION

NOTE:
SAME REINFORCING REQUIRED IN FILLITS SHOWN ON
STANDARD STREET INTERSECTION AND UTILITY LOCATION DRAWING



STATEMENT OF USE

THIS DOCUMENT AND ANY ILLUSTRATIONS HEREON ARE PROVIDED AS STANDARD CONSTRUCTION DETAILS WITHIN LONDON CITY. DEVIATION FROM THIS DOCUMENT REQUIRES APPROVAL OF LONDON CITY, LONDON CITY CORPORATION AND J-U-B ENGINEERS CAN NOT BE HELD LIABLE FOR MISUSE OR CHANGES REGARDING THIS DOCUMENT.

REVISION

NO.	DESCRIPTION	BY	APPR.	DATE

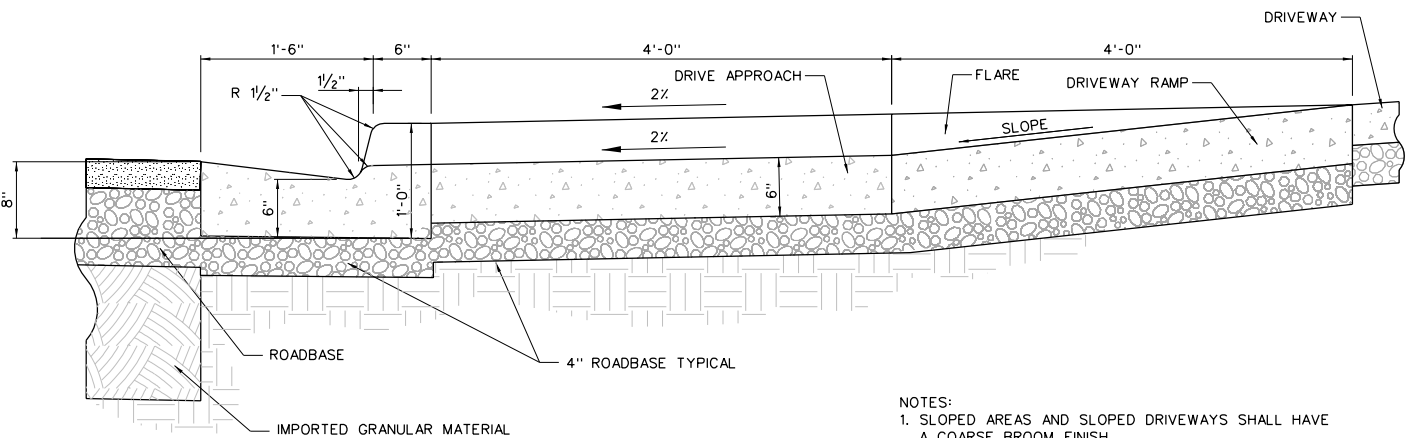
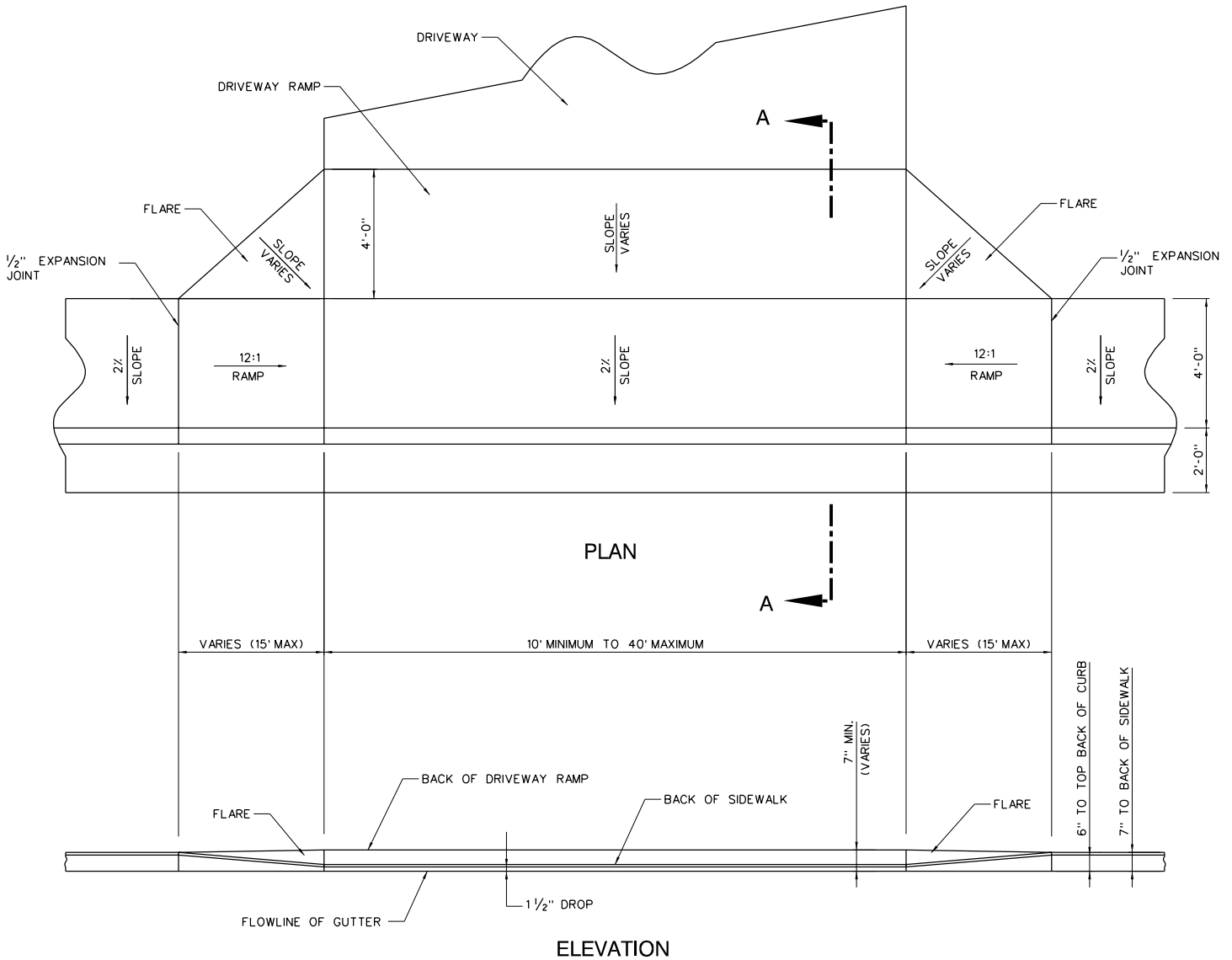


CURB, GUTTER & SIDEWALK DETAILS

LONDON CITY
100 NORTH STATE

STANDARD DRAWING NUMBER: 3

CAD DWG: LC Std0wgs.dgn
PLOT SCALE: 1:000
DRAWN BY: SKW
DESIGN BY: DCT
CHECKED BY: MJJ
ADOPTED DATE: 5 MAY 98



- NOTES:**
- SLOPED AREAS AND SLOPED DRIVEWAYS SHALL HAVE A COARSE BROOM FINISH.
 - THE DRIVEWAY, AT A POINT 4' BEHIND THE SIDEWALK, SHALL BE AT LEAST 7" HIGHER THAN THE FLOWLINE OF THE GUTTER.
 - RAMP AND FLARES ARE TO BE 6" THICK CONCRETE.



STATEMENT OF USE

THIS DOCUMENT AND ANY ILLUSTRATIONS HEREON ARE PROVIDED AS STANDARD CONSTRUCTION DETAILS WITHIN LINDON CITY. DEVIATION FROM THIS DOCUMENT REQUIRES APPROVAL OF LINDON CITY. LINDON CITY CORPORATION AND J-U-B ENGINEERS CAN NOT BE HELD LIABLE FOR MISUSE OR CHANGES REGARDING THIS DOCUMENT.

REVISION

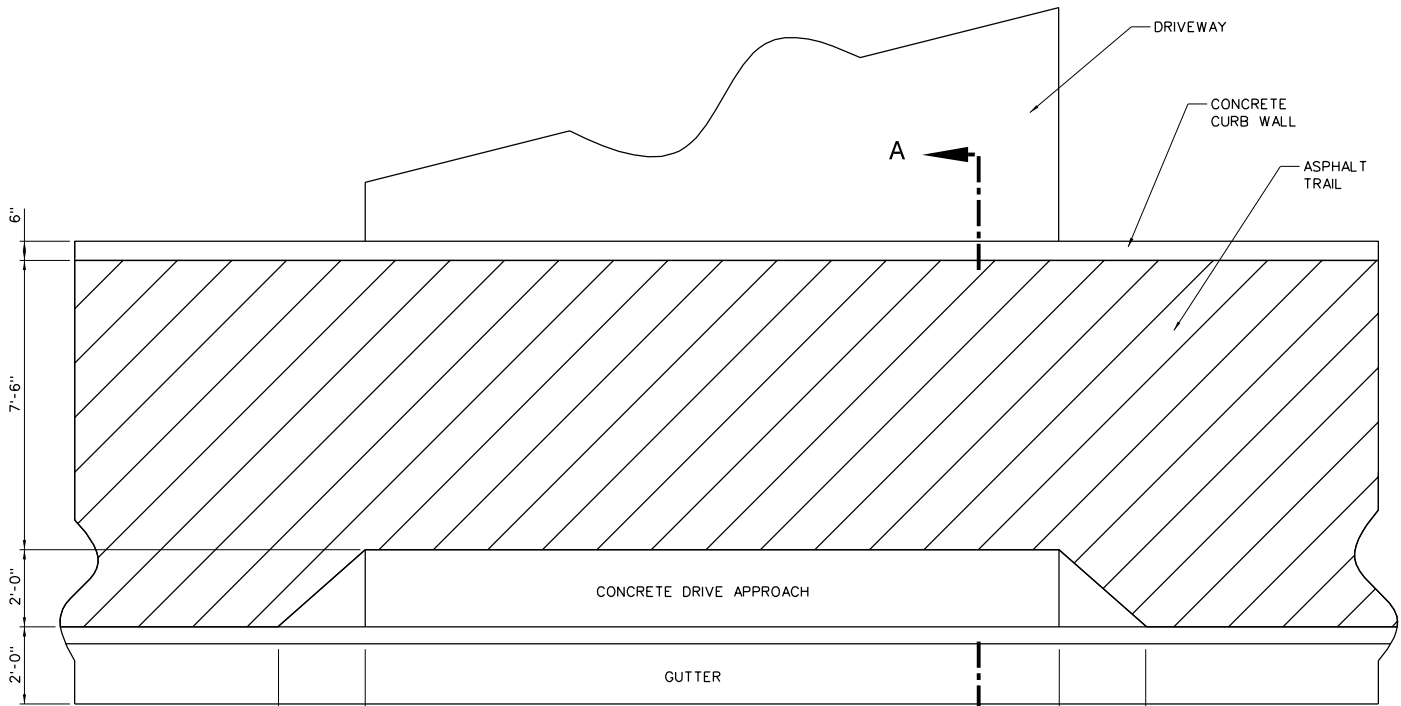
NO.	DESCRIPTION	BY	APPR.	DATE
1	ADA COMPLIANT REDESIGN OF DRIVE APPROACH	EEA	MLC	1/12/05
2	DIMENSIONS REVISION	CC	MLC	1/10/06
3	CORRECTED DRAWING TO GRAPHICALLY SHOW DRIVEWAY CONCRETE THICKNESS OF 6"	TRG	MLC	1/09/08
4	ADDED NOTE 3	SAC	MLC	12/23/08



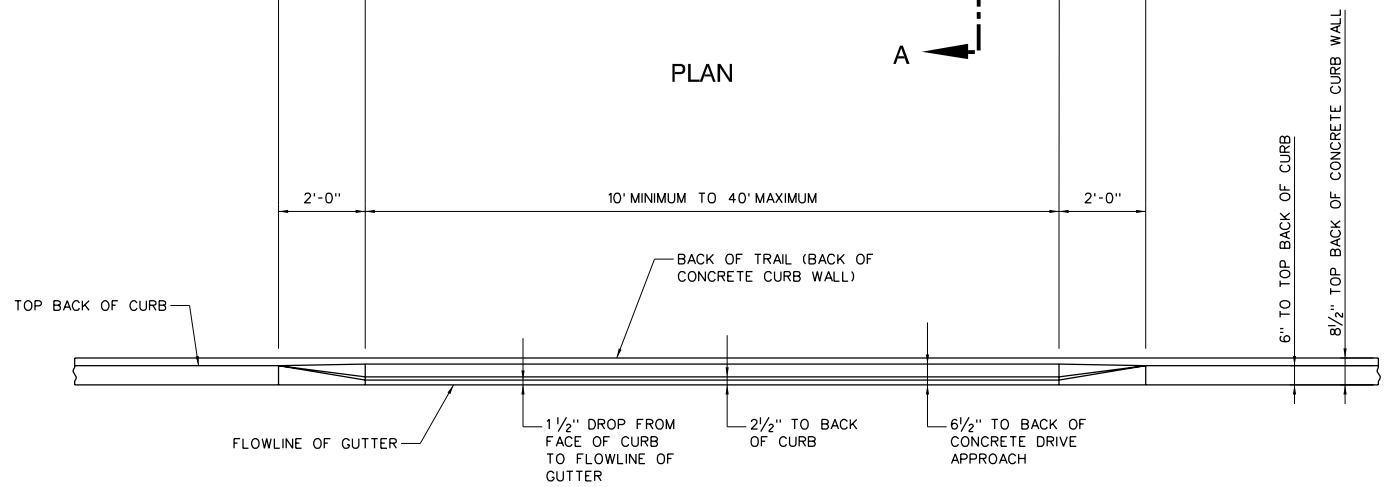
TYPICAL DRIVE APPROACH

LINDON CITY
100 NORTH STATE

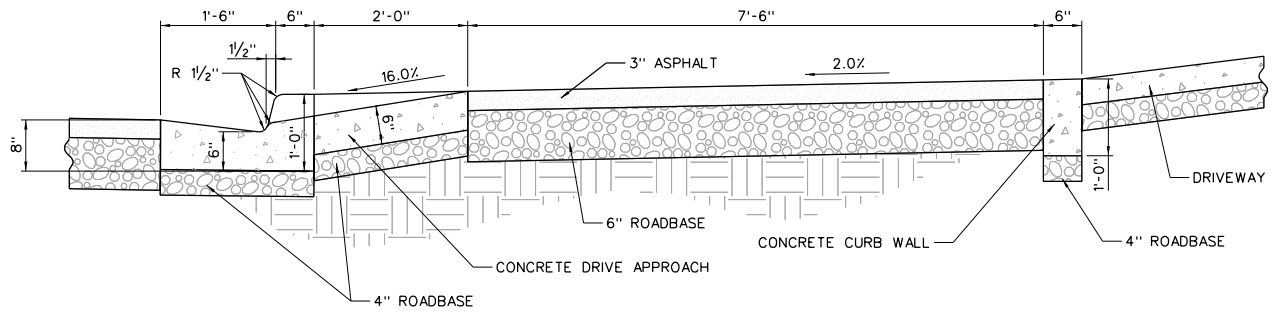
STANDARD DRAWING NUMBER:	5a
CAD DWG: LC StdDwg.dgn	
PLOT SCALE:	1:000
DRAWN BY:	EEA
DESIGN BY:	HJC
CHECKED BY:	MLC
ADOPTED DATE:	8 JAN 09



PLAN



ELEVATION



SECTION A-A

N.T.S.

NOTE:
1. CONCRETE DRIVE APPROACH AND CONCRETE CURB WALL SHALL HAVE A COURSE BROOM FINISH.



STATEMENT OF USE

THIS DOCUMENT AND ANY ILLUSTRATIONS HEREON ARE PROVIDED AS STANDARD CONSTRUCTION DETAILS WITHIN LINDON CITY. DEVIATION FROM THIS DOCUMENT REQUIRES APPROVAL OF LINDON CITY, LINDON CITY CORPORATION AND J-U-B ENGINEERS CAN NOT BE HELD LIABLE FOR MISUSE OR CHANGES REGARDING THIS DOCUMENT.

REVISION

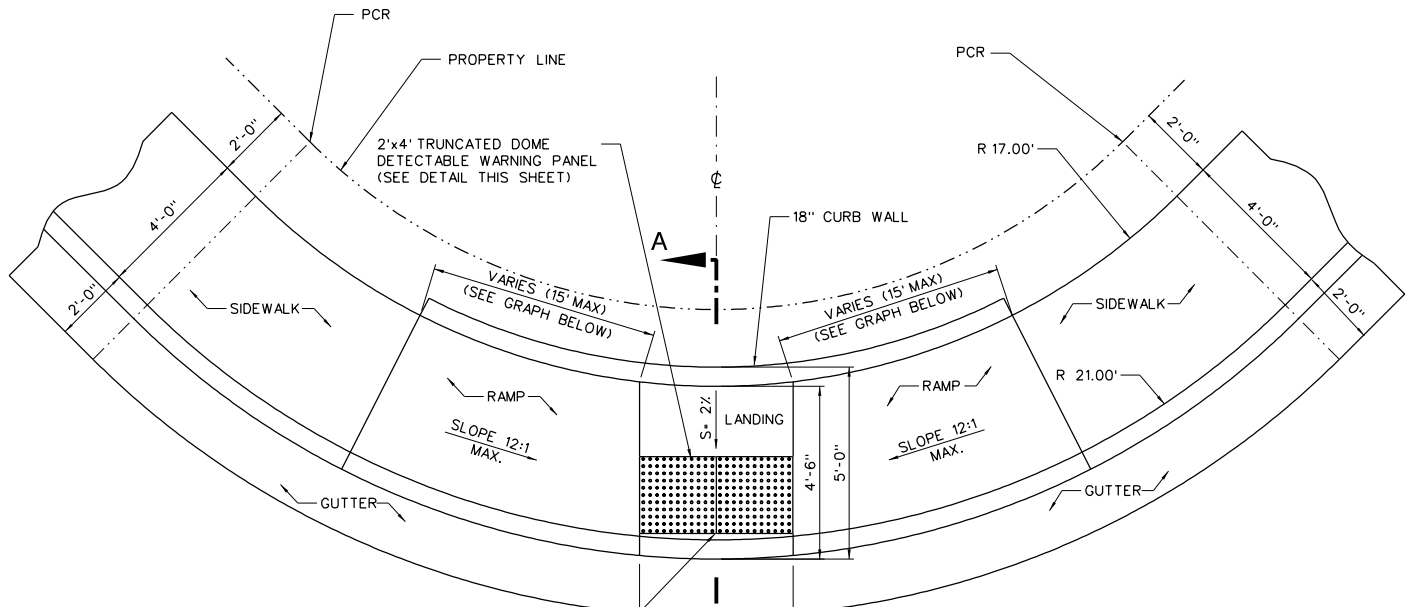
NO.	DESCRIPTION	BY	APR	DATE



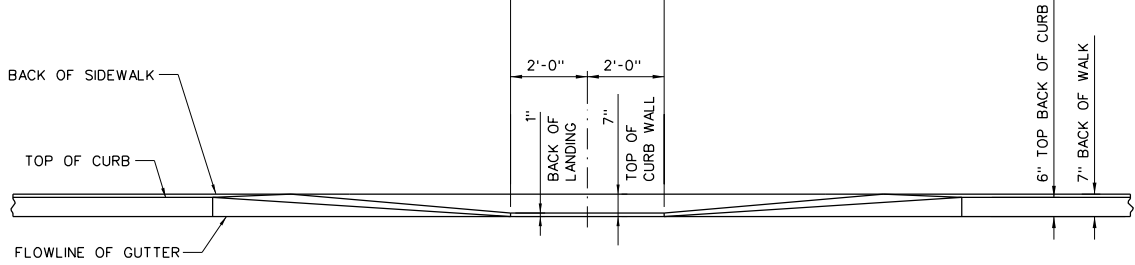
DRIVE APPROACH IN TRAIL

LINDON CITY
100 NORTH STATE

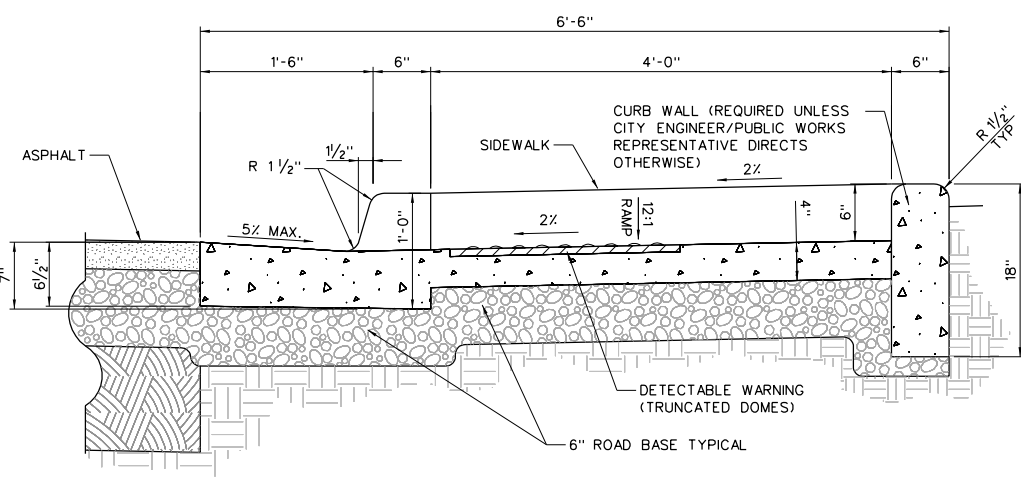
STANDARD DRAWING NUMBER:	5b
CAD DWG: LC StdDwg.dgn	
PLOT SCALE:	1.000
DRAWN BY:	MLC
DESIGN BY:	MLC
CHECKED BY:	MLC
ADOPTED DATE:	8 JAN 09



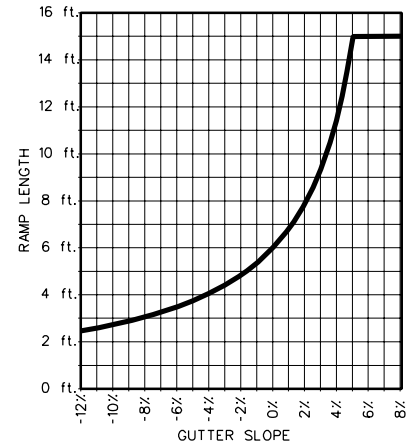
PLAN VIEW



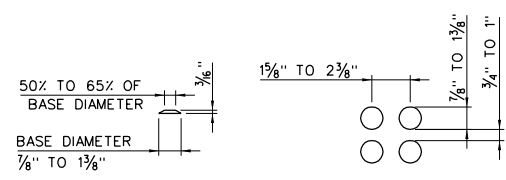
ELEVATION



SECTION A-A
ENLARGED: N.T.S.



MINIMUM RAMP LENGTH



TRUNCATED DOMES
ENLARGED SCALE 1"=1"

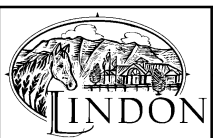
NOTES:

1. LANDING SHALL NOT EXCEED 2% IN ANY DIRECTION.
2. TRUNCATED DOME DETECTABLE WARNING PANEL SHALL BE YELLOW POLYMER COMPOSITE/FIBERGLASS.
3. MID-BLOCK CROSSINGS SHALL USE THE SAME RAMP CONFIGURATION, EXCEPT THAT THERE WOULD BE A DIFFERENT RADIUS CURVE OR NO CURVE AT ALL.
4. CURB RETURNS BETWEEN SIDEWALKS OR TRAILS NOT 4' WIDE, BUT WHERE THE WIDTH IS THE SAME ON BOTH ENDS OF THE CURB RETURN HAVE THE SAME GENERAL CONFIGURATION AS THE DETAIL SHOWN ON THIS SHEET.



STATEMENT OF USE
THIS DOCUMENT AND ANY ILLUSTRATIONS HEREON ARE PROVIDED AS STANDARD CONSTRUCTION DETAILS WITHIN LINDON CITY. DEVIATION FROM THIS DOCUMENT REQUIRES APPROVAL OF LINDON CITY, LINDON CITY CORPORATION AND J-U-B ENGINEERS CAN NOT BE HELD LIABLE FOR MISUSE OR CHANGES REGARDING THIS DOCUMENT.

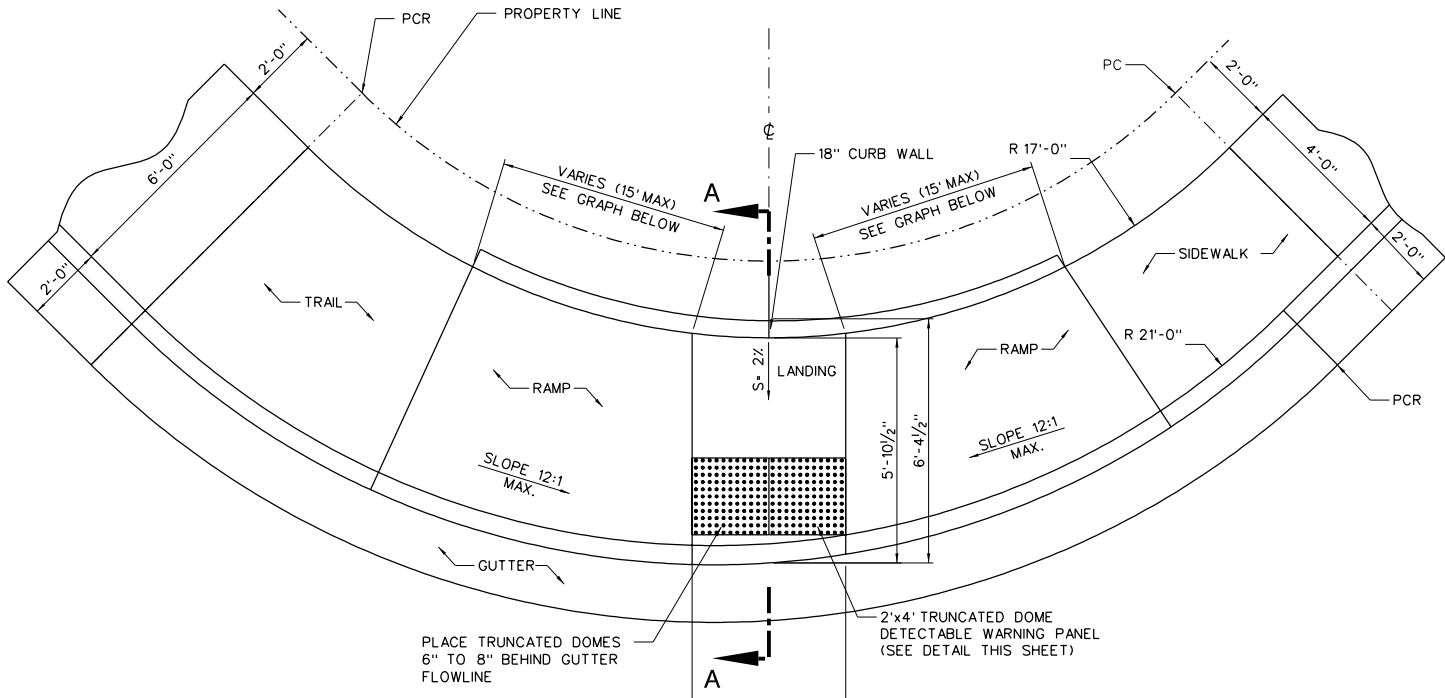
REVISION			
1	ADA RAMP REDESIGN & ADDED TRUNCATED DOME MATERIALS NOTE	EEA	M.C. 12/JAN/05
2	DIMENSIONS AND NOTES REVISIONS ADDED MINIMUM RAMP LENGTH GRAPH	CC	M.C. 10/JAN/06
3	ADDED NOTE TO CURB WALL ANNOTATION	TRG	M.C. 1/20/08
NO.	DESCRIPTION	BY	APR. DATE



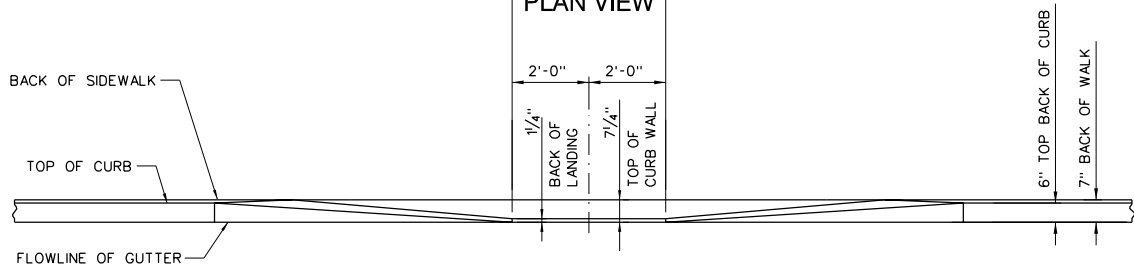
STANDARD CURB RETURN
AT INTERSECTION

LINDON CITY
100 NORTH STATE

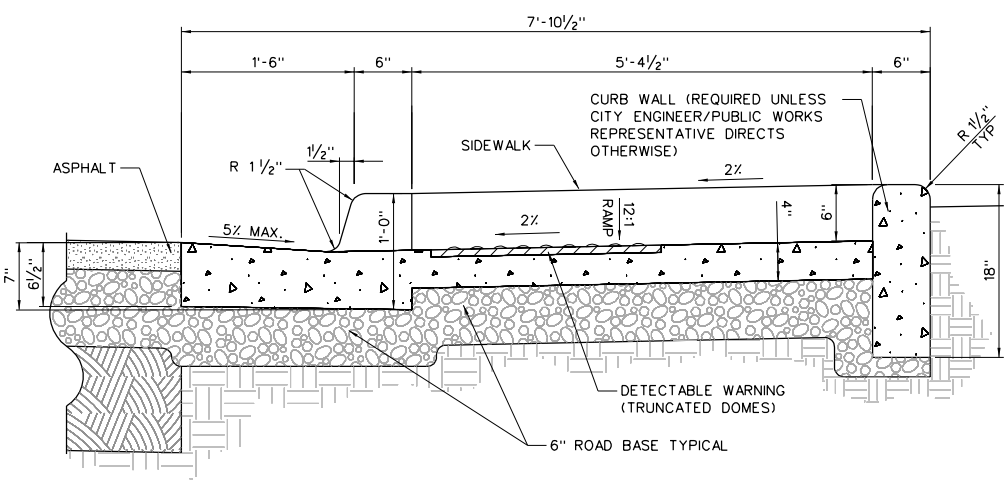
STANDARD DRAWING NUMBER:	6a
CAD DWG: LC StdWags.dgn	
PLOT SCALE:	1.000
DRAWN BY:	CJC
DESIGN BY:	M.C.
CHECKED BY:	M.C.
ADOPTED DATE:	15 JAN 08



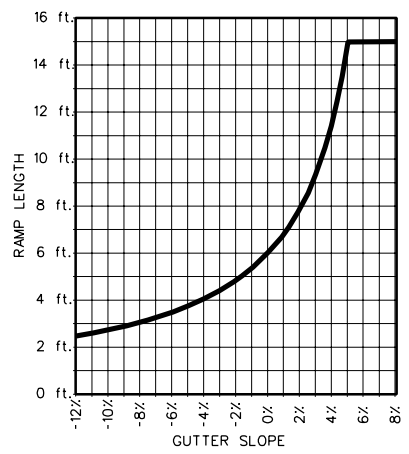
PLAN VIEW



ELEVATION



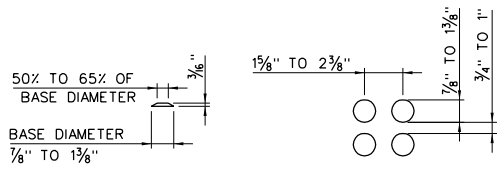
SECTION A-A
ENLARGED: N.T.S.



MINIMUM RAMP LENGTH

NOTES:

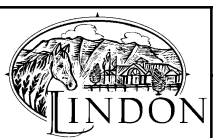
1. LANDING SHALL NOT EXCEED 2% IN ANY DIRECTION.
2. TRUNCATED DOME DETECTABLE WARNING PANEL SHALL BE YELLOW POLYMER COMPOSITE/FIBERGLASS.
3. MID-BLOCK CROSSINGS SHALL USE THE SAME RAMP CONFIGURATION, EXCEPT THAT THERE WOULD BE A DIFFERENT RADIUS CURVE OR NO CURVE AT ALL.



TRUNCATED DOMES
ENLARGED SCALE 1"=1'



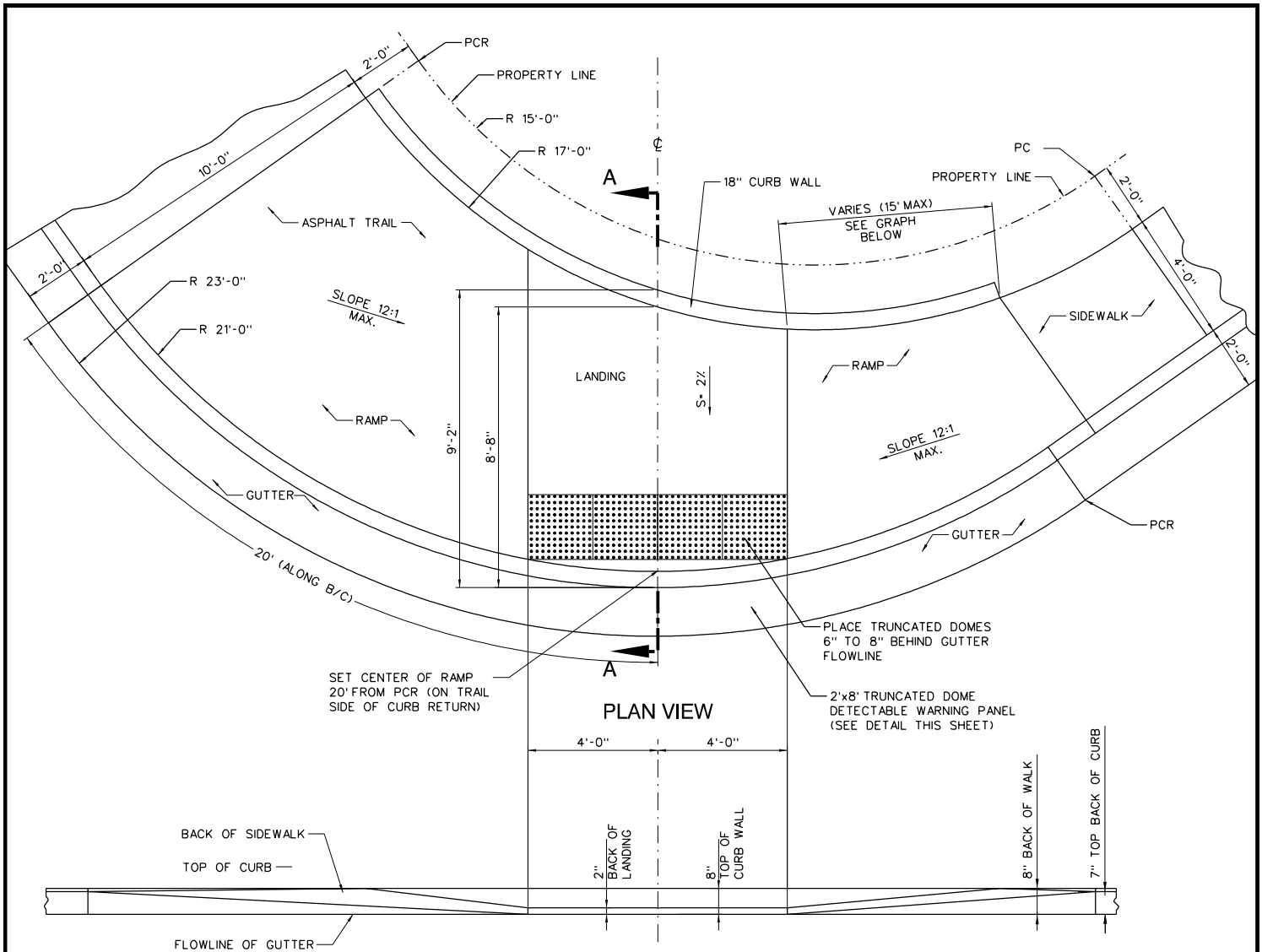
STATEMENT OF USE			
THIS DOCUMENT AND ANY ILLUSTRATIONS HEREON ARE PROVIDED AS STANDARD CONSTRUCTION DETAILS WITHIN LINDON CITY. DEVIATION FROM THIS DOCUMENT REQUIRES APPROVAL OF LINDON CITY. LINDON CITY CORPORATION AND J-U-B ENGINEERS CAN NOT BE HELD LIABLE FOR MISUSE OR CHANGES REGARDING THIS DOCUMENT.			
REVISION			
NO.	DESCRIPTION	BY	DATE
1	ADA RAMP REDESIGN & ADDED TRUNCATED DOME MATERIALS NOTE	EEA	M.C. 12/JAN/05
2	REPLACED PREVIOUS DETAIL WITH 6' TRAIL TO 4' SIDEWALK VERSION OF STANDARD CURB RETURN	CC	M.C. 10/JAN/06
3	ADDED NOTE TO CURB WALL ANNOTATIONS UPDATED GUTTER LIP RADIUS	TRG	M.C. 1/20/08



MODIFIED CURB RETURN AT INTERSECTION
(6' TRAIL TO 4' SIDEWALK)

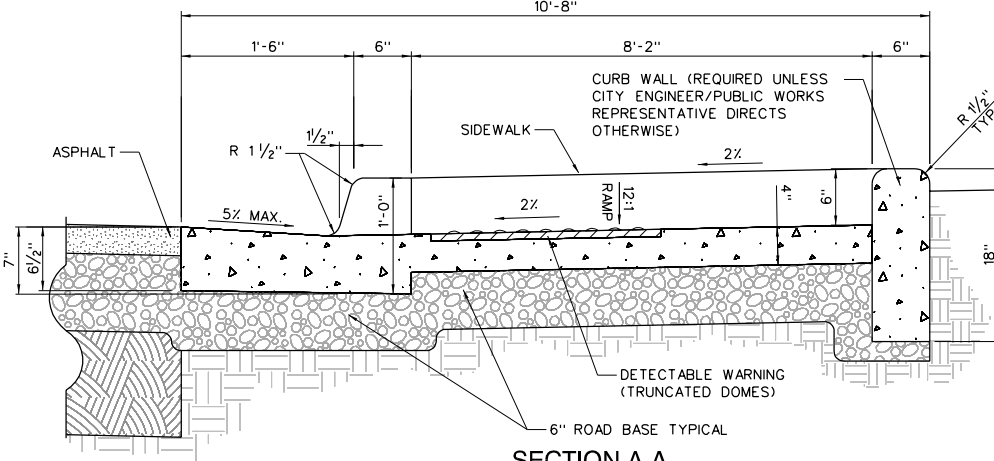
LINDON CITY
100 NORTH STATE

STANDARD DRAWING NUMBER:	6b
CAD DWG: LC StdDwg.dgn	
PLOT SCALE:	1:000
DRAWN BY:	CJC
DESIGN BY:	M.C.
CHECKED BY:	M.C.
ADOPTED DATE:	15 JAN 08



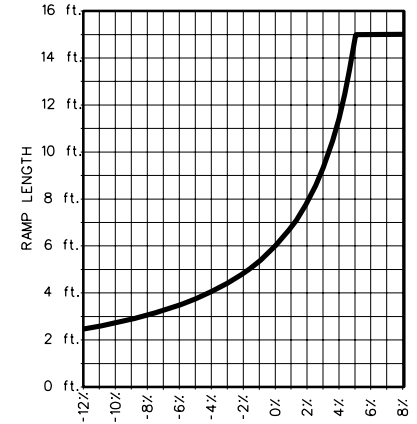
PLAN VIEW

ELEVATION

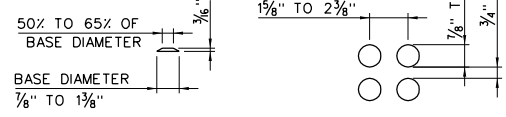


SECTION A-A

ENLARGED: N.T.S.



MINIMUM RAMP LENGTH



TRUNCATED DOMES

ENLARGED SCALE 1"=1'

NOTES:

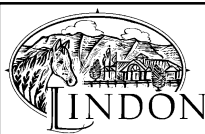
1. LANDING SHALL NOT EXCEED 2% IN ANY DIRECTION.
2. TRUNCATED DOME DETECTABLE WARNING PANEL SHALL BE YELLOW POLYMER COMPOSITE/FIBERGLASS.
3. MID-BLOCK CROSSINGS SHALL USE THE SAME RAMP CONFIGURATION, EXCEPT THAT THERE WOULD BE A DIFFERENT RADIUS CURVE OR NO CURVE AT ALL.



STATEMENT OF USE

THIS DOCUMENT AND ANY ILLUSTRATIONS HEREON ARE PROVIDED AS STANDARD CONSTRUCTION DETAILS WITHIN LINDON CITY. DEVIATION FROM THIS DOCUMENT REQUIRES APPROVAL OF LINDON CITY, LINDON CITY CORPORATION AND J-U-B ENGINEERS CAN NOT BE HELD LIABLE FOR MISUSE OR CHANGES REGARDING THIS DOCUMENT.

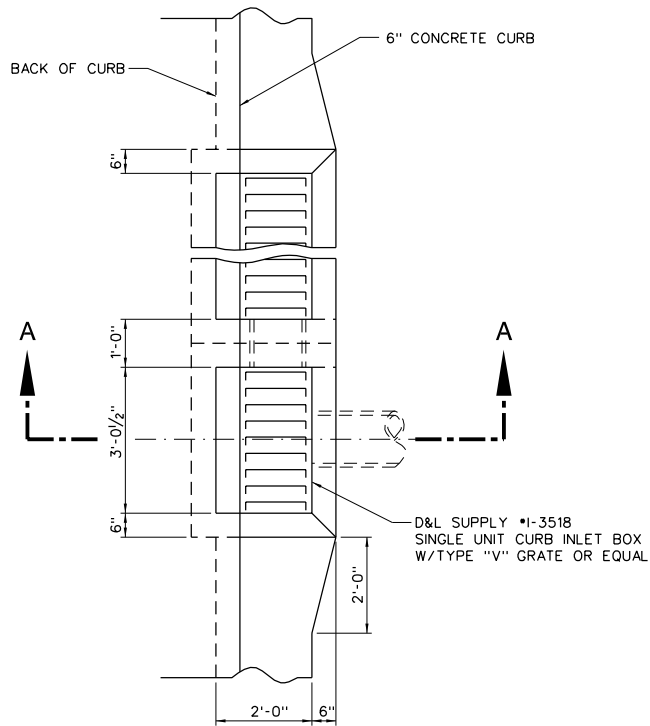
NO.	DESCRIPTION	BY	APPR	DATE
1	ADDED NOTE TO CURB WALL ANNOTATION: UPDATED GUTTER LIP RADIUS	TRG	MLC	1/29/08



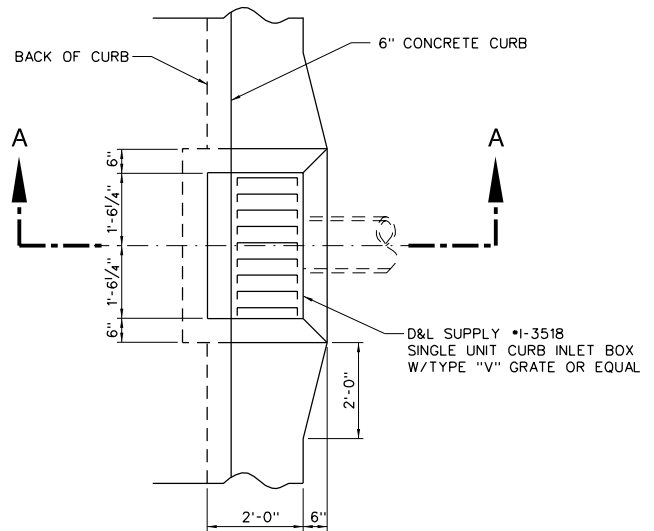
MODIFIED CURB RETURN AT INTERSECTION
(10' TRAIL TO 4' SIDEWALK)

LINDON CITY
100 NORTH STATE

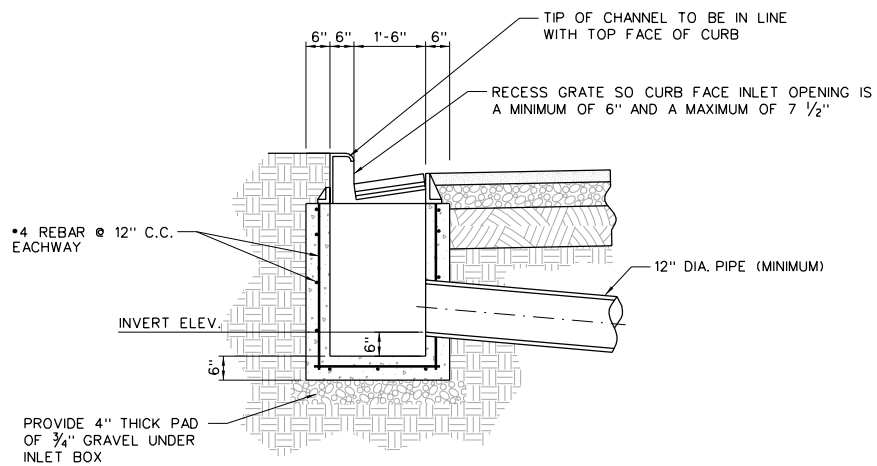
STANDARD DRAWING NUMBER:	6c
CAD DWG: LC StdDwg.dgn	
PLOT SCALE:	1:000
DRAWN BY:	CJC
DESIGN BY:	MLC
CHECKED BY:	MLC
ADOPTED DATE:	15 JAN 08



MULTIPLE INLET PLAN VIEW



SINGLE INLET PLAN VIEW



SECTION A-A



STATEMENT OF USE

THIS DOCUMENT AND ANY ILLUSTRATIONS HEREON ARE PROVIDED AS STANDARD CONSTRUCTION DETAILS WITHIN LINDON CITY. DEVIATION FROM THIS DOCUMENT REQUIRES APPROVAL OF LINDON CITY, LINDON CITY CORPORATION AND J-U-B ENGINEERS CAN NOT BE HELD LIABLE FOR MISUSE OR CHANGES REGARDING THIS DOCUMENT.

REVISION

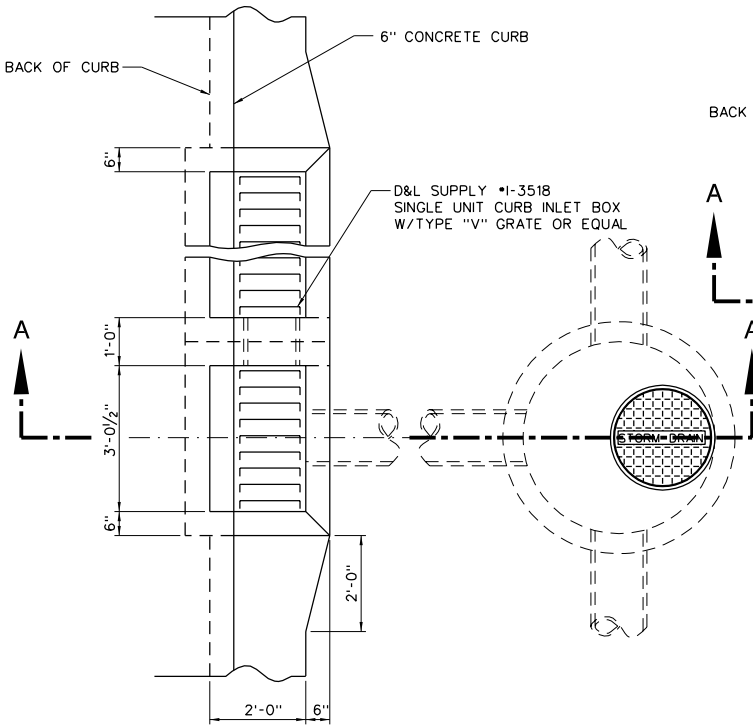
NO.	DESCRIPTION	BY	APR	DATE
1	MINOR CHANGE TO CORRECTLY SHOW HOW THE FRAME FITS ON THE BOX	CJF	M.C.	1/22/04
2	UPDATED CURB FACE INLET OPENING	TRG	M.C.	1/09/08



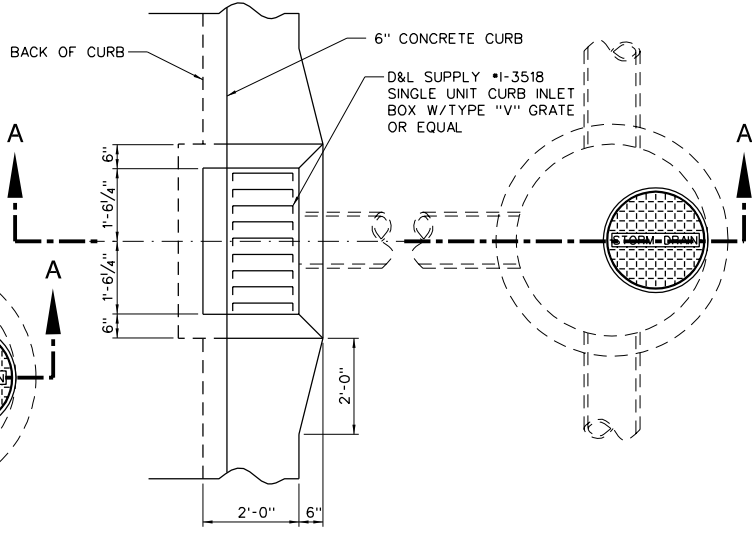
CURB FACE INLET DETAIL

LINDON CITY
100 NORTH STATE

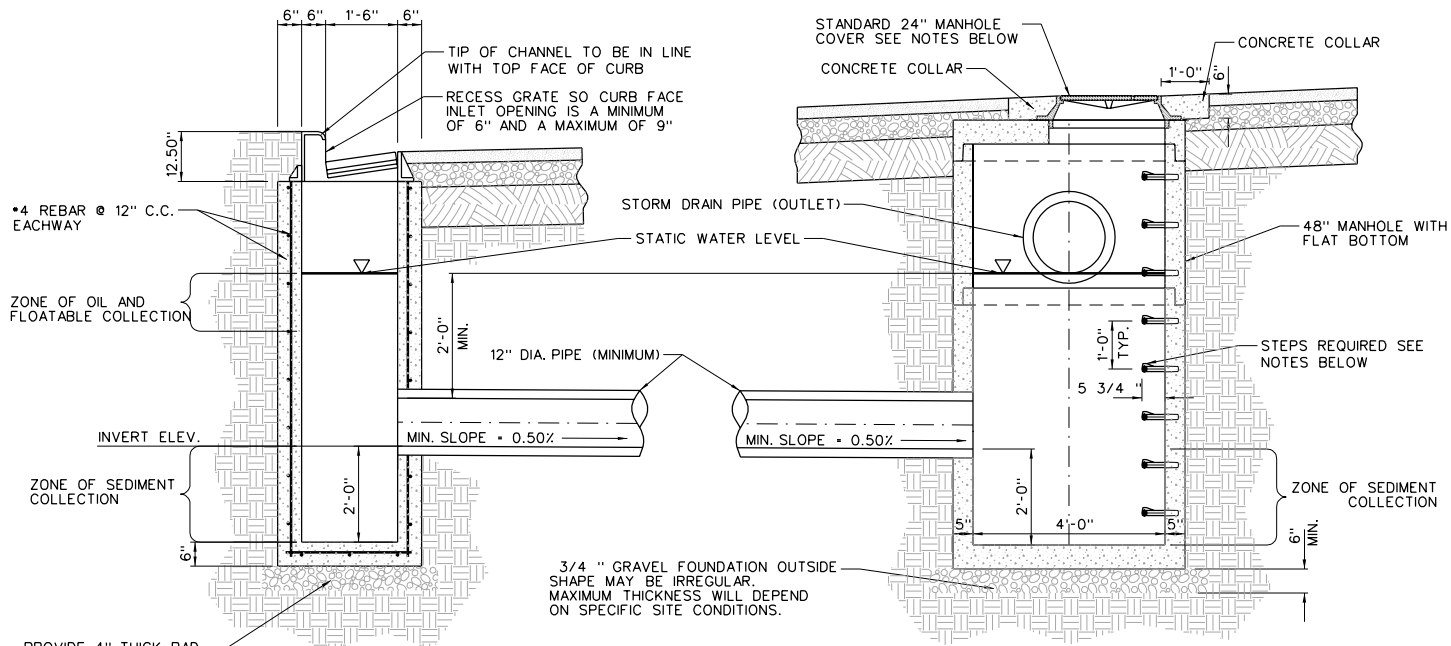
STANDARD DRAWING NUMBER:	7a
CAD DWG: LC StdInlets.dwg	
PLOT SCALE:	1:000
DRAWN BY:	BRW
DESIGN BY:	DCI
CHECKED BY:	MJL
ADOPTED DATE:	15 JAN 08



MULTIPLE INLET PLAN VIEW

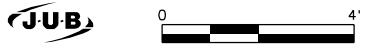


SINGLE INLET PLAN VIEW



SECTION A-A

- NOTES:
1. MANHOLE COVER TO CONTAIN ONE PICK HOLE. SEE SPECIFICATION DIVISION 5 FOR COVER LABEL. D&L SUPPLY P/N A-1181 (OR EQUAL).
 2. STEPS SHALL BE MADE OF COPOLYMER POLYPROPYLENE CONFORMING TO ASTM D-4101. REINFORCING STEEL TO BE DEFORMED 1/2" DIAMETER GRADE 60 ROD.
 3. FLAT LIDS SHALL BE OF ECCENTRIC DESIGN AND MEET H20 LIVE LOADING. NO FLAT RING AND COVERS WILL BE ALLOWED UNLESS APPROVED BY PUBLIC WORKS.
 4. AN ECCENTRIC CONE SECTION MAY BE USED AS THE TOP MANHOLE SECTION IF THE STORM DRAIN IS DEEP ENOUGH TO BE UNDER IT.
 5. MULTIPLE INLETS CAN BE INSTALLED IN SERIES OR IN PARALLEL BEFORE DISCHARGING INTO THE MANHOLE. HOWEVER, THE TOTAL DESIGN FLOW ENTERING A SINGLE MANHOLE BELOW THE OUTLET ELEVATION IS NOT TO EXCEED 6 CFS. USE OF A 5' DIAMETER MANHOLE WOULD INCREASE THE ALLOWABLE FLOWRATE TO 9 CFS.



STATEMENT OF USE
 THIS DOCUMENT AND ANY ILLUSTRATIONS HEREON ARE PROVIDED AS STANDARD CONSTRUCTION DETAILS WITHIN LINDON CITY. DEVIATION FROM THIS DOCUMENT REQUIRES APPROVAL OF LINDON CITY, LINDON CITY CORPORATION AND J-U-B ENGINEERS CAN NOT BE HELD LIABLE FOR MISUSE OR CHANGES REGARDING THIS DOCUMENT.

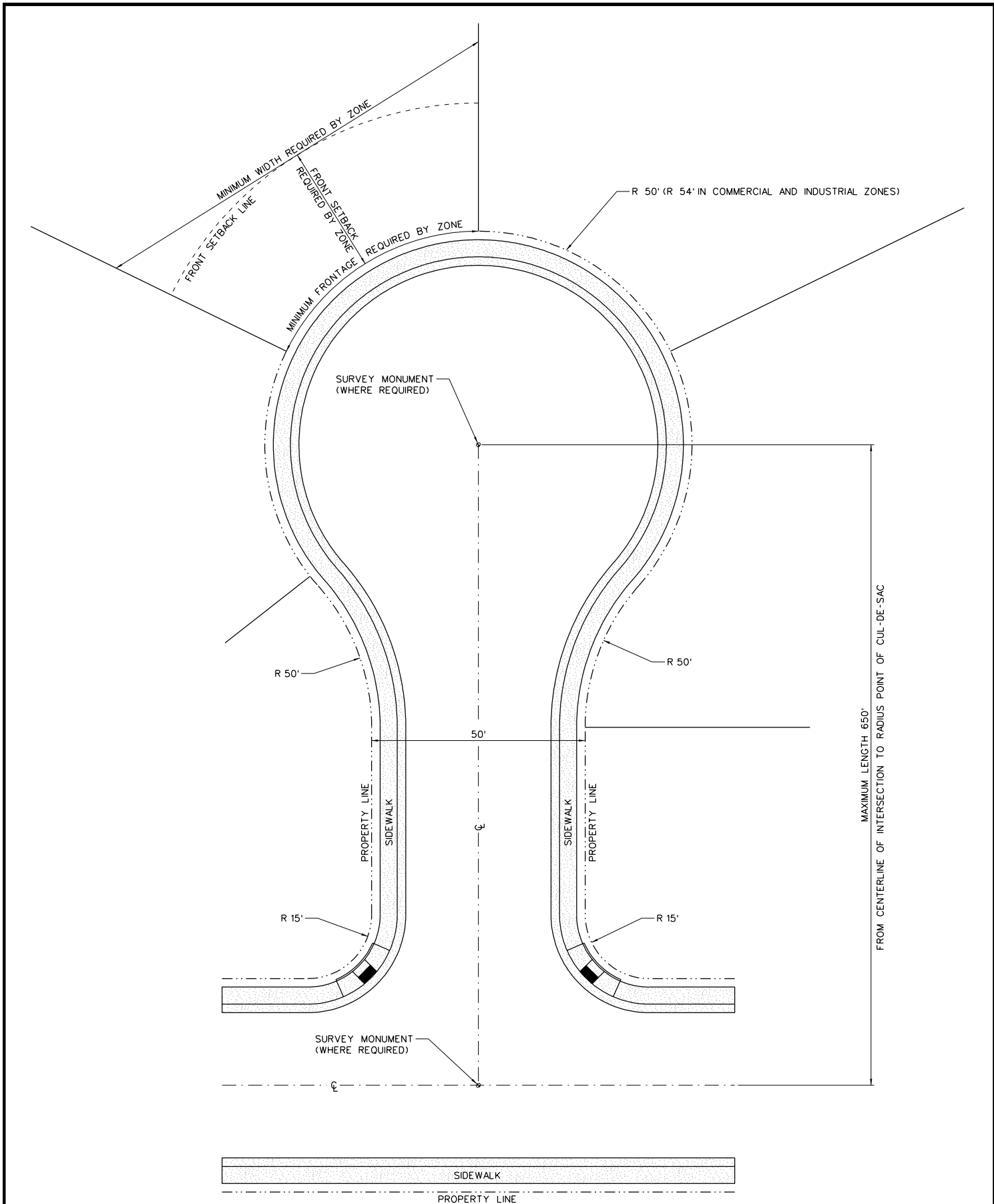
REVISION			
NO.	DESCRIPTION	BY	APR. DATE



STORM WATER TREATMENT SYSTEM

LINDON CITY
100 NORTH STATE

STANDARD DRAWING NUMBER: 7b
CAD DWG: LC Std0wsg.dgn
PLOT SCALE: 1:1000
DRAWN BY: C/JF
DESIGN BY: M/C
CHECKED BY: M/C
ADOPTED DATE: 20 JAN 04



STATEMENT OF USE

THIS DOCUMENT AND ANY ILLUSTRATIONS HEREON ARE PROVIDED AS STANDARD CONSTRUCTION DETAILS WITHIN LINDON CITY. DEVIATION FROM THIS DOCUMENT REQUIRES APPROVAL OF LINDON CITY, LINDON CITY CORPORATION AND J-U-B ENGINEERS CAN NOT BE HELD LIABLE FOR MISUSE OR CHANGES REGARDING THIS DOCUMENT.

REVISION

NO.	DESCRIPTION	BY	APPR	DATE
1	ADDED R 54' IN COMMERCIAL AND INDUSTRIAL ZONES	TRG	M.C.	1/09/08
2	CURB RAMP WAS UPDATED TO THE CURRENT CONFIGURATION AND THE DRAWING NUMBER CHANGED FROM 8	SAC	M.C.	09/18/08



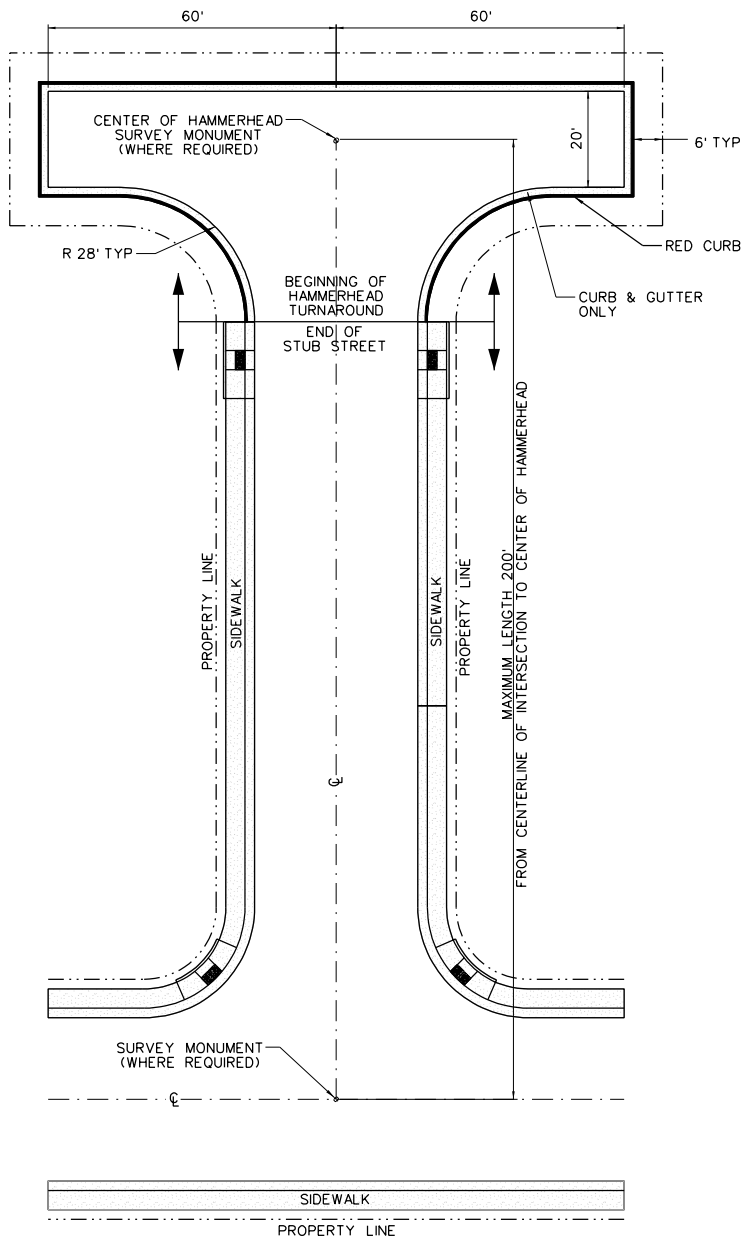
STANDARD CUL-DE-SAC

LINDON CITY
100 NORTH STATE

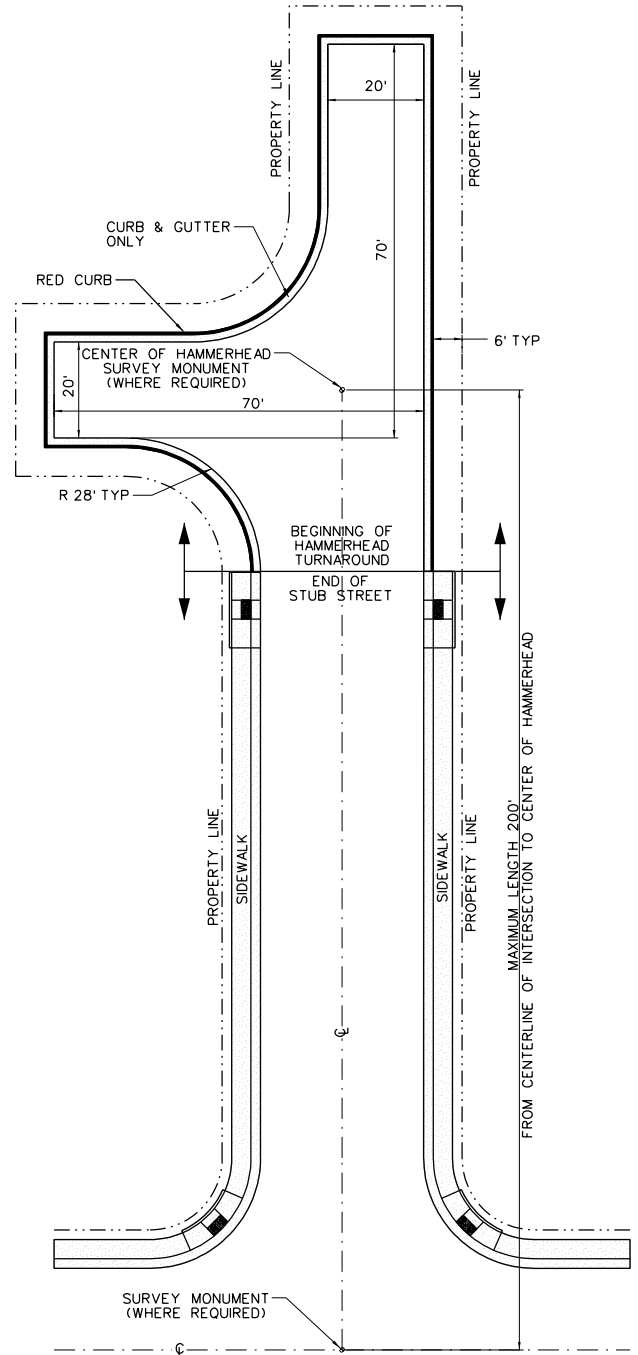
STANDARD
DRAWING
NUMBER:

8a

CAD DWG: LC StdDwg.dgn
PLOT SCALE: 1.000
DRAWN BY: BKW
DESIGN BY: DCT
CHECKED BY: MJJ
ADOPTED DATE: 25 SEPT 08



120' HAMMERHEAD DETAIL



ACCEPTABLE ALTERNATIVE TO 120' HAMMERHEAD DETAIL

HAMMERHEAD TURNAROUNDS ARE INTENDED TO BE USED ONLY IN EXCEPTIONAL CIRCUMSTANCES AND ONLY IN RESIDENTIAL LAND USE ZONES. THE FOLLOWING RESTRICTIONS APPLY TO THEIR USE:

1. HAMMERHEAD TURNAROUNDS MAY NOT BE USED IF A STANDARD CUL-DE-SAC IS FEASIBLE WHILE STILL PERMITTING CREATION OF AND ACCESS TO AT LEAST TWO LOTS THAT MEET ALL CODE CONDITIONS (LOT SIZE, FRONTAGE, ETC).
2. NO MORE THAN TWO LOTS MAY HAVE ACCESS FROM A HAMMERHEAD TURNAROUND (OR COUNT FRONTAGE FROM THE HAMMERHEAD TURNAROUND).
3. NO MORE THAN FOUR LOTS MAY ACCESS A STUB STREET WITH A HAMMERHEAD TURNAROUND (AS MEASURED FROM THE CENTER OF THE NEAREST INTERSECTION).
4. LOTS HAVING ACCESS TO THE HAMMERHEAD TURNAROUND MUST PROVIDE A MINIMUM OF 3 OFF-STREET PARKING SPACES PER DWELLING UNIT.
5. NO ON-STREET PARKING IS PERMITTED WITHIN A HAMMERHEAD TURNAROUND.
6. ONLY THOSE HAMMERHEAD TURNAROUNDS SHOWN IN THE LINDON STANDARD DETAILS MAY BE USED. THEY MUST ALSO MEET THE MINIMUM REQUIREMENTS OF THE A TURNAROUND IN APPENDIX A OF THE INTERNATIONAL FIRE CODE.
7. SIDEWALK IS OPTIONAL AROUND THE HAMMERHEAD TURNAROUND.



STATEMENT OF USE

THIS DOCUMENT AND ANY ILLUSTRATIONS HEREON ARE PROVIDED AS STANDARD CONSTRUCTION DETAILS WITHIN LINDON CITY. DEVIATION FROM THIS DOCUMENT REQUIRES APPROVAL OF LINDON CITY, LINDON CITY CORPORATION AND J-U-B ENGINEERS CAN NOT BE HELD LIABLE FOR MISUSE OR CHANGES REGARDING THIS DOCUMENT.

REVISION

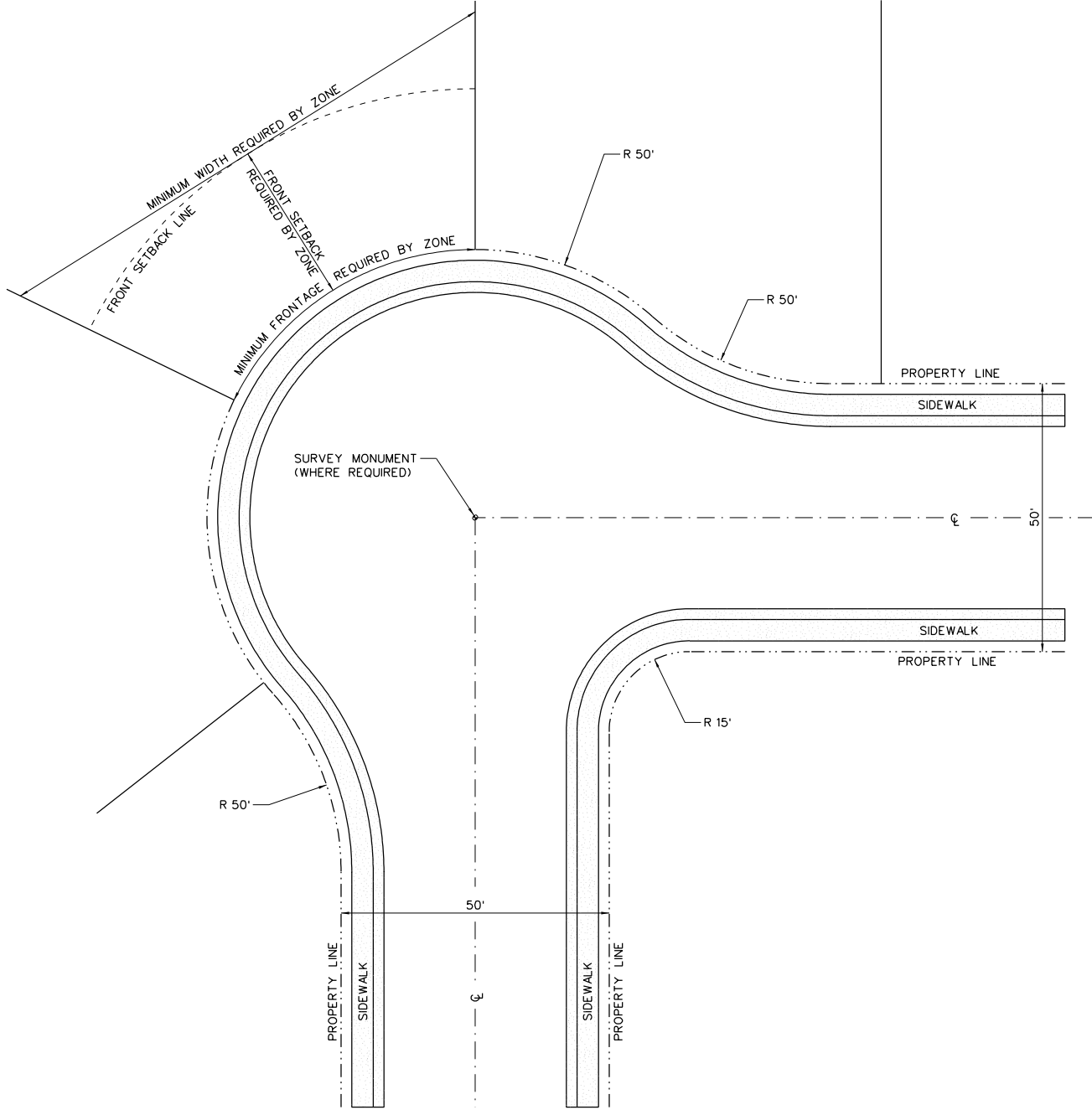
NO.	DESCRIPTION	BY	APPR	DATE
1	ADDED CURB RAMPS AT END OF STUB ROAD & NOTE 7	SAC	MLC	09/18/08



HAMMERHEAD TURN AROUNDS

LINDON CITY
100 NORTH STATE

STANDARD DRAWING NUMBER:	8b
CAD DWG: LC StdWags.dwg	
PLOT SCALE:	1:000
DRAWN BY:	SAC
DESIGN BY:	MLC
CHECKED BY:	MLC
ADOPTED DATE:	07 OCT 08



STATEMENT OF USE

THIS DOCUMENT AND ANY ILLUSTRATIONS HEREON ARE PROVIDED AS STANDARD CONSTRUCTION DETAILS WITHIN LINDON CITY. DEVIATION FROM THIS DOCUMENT REQUIRES APPROVAL OF LINDON CITY, LINDON CITY CORPORATION AND J-U-B ENGINEERS CAN NOT BE HELD LIABLE FOR MISUSE OR CHANGES REGARDING THIS DOCUMENT.

REVISION

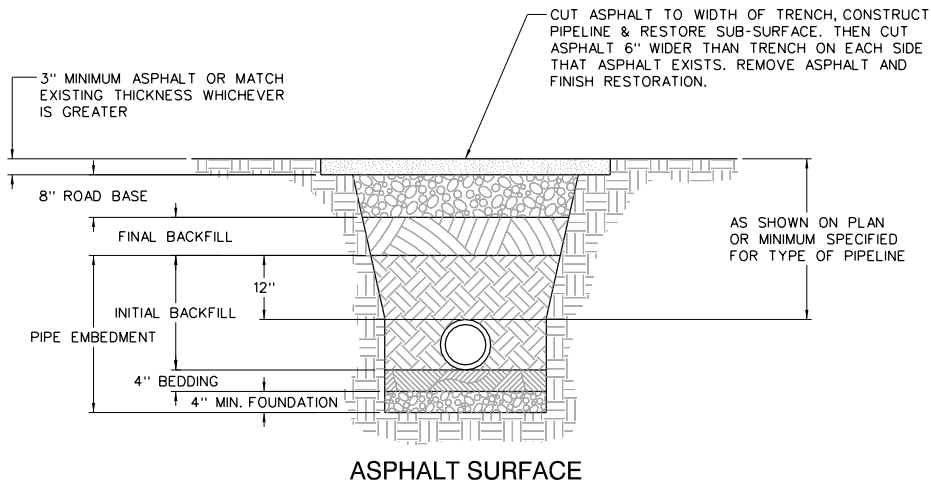
NO.	DESCRIPTION	BY	APP.	DATE



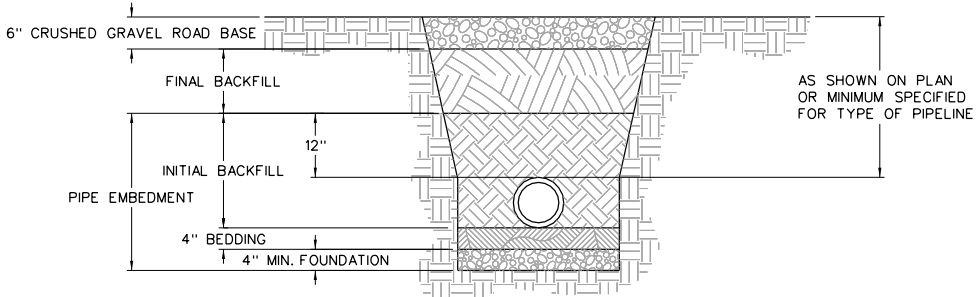
STANDARD KNUCKLE

LINDON CITY
100 NORTH STATE

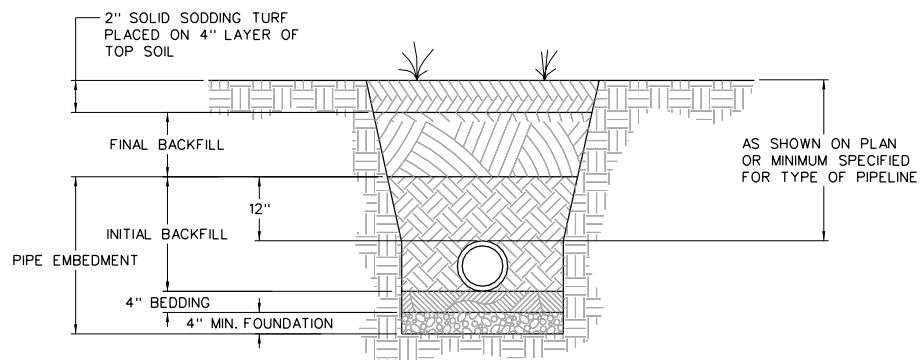
STANDARD DRAWING NUMBER:	9
CAD DWG: LC Std0wgs.dgn	
PLOT SCALE:	1:000
DRAWN BY:	SKW
DESIGN BY:	DCT
CHECKED BY:	MJ
ADOPTED DATE:	5 MAY 98



ASPHALT SURFACE



GRAVEL SURFACE



TURF SURFACE

- NOTES:
1. SLOPE TRENCH TO MEET OSHA REQUIREMENTS (LATEST EDITION) OR USE TRENCH BOX.
 2. FOUNDATION AND BEDDING MATERIAL AS REQUIRED.
 3. INSTALL PIPELINES ON STABLE FOUNDATION WITH UNIFORM BEARING FOR FULL LENGTH OF BARREL, EXCAVATE IN BEDDING FOR ALL PIPE JOINTS.



STATEMENT OF USE

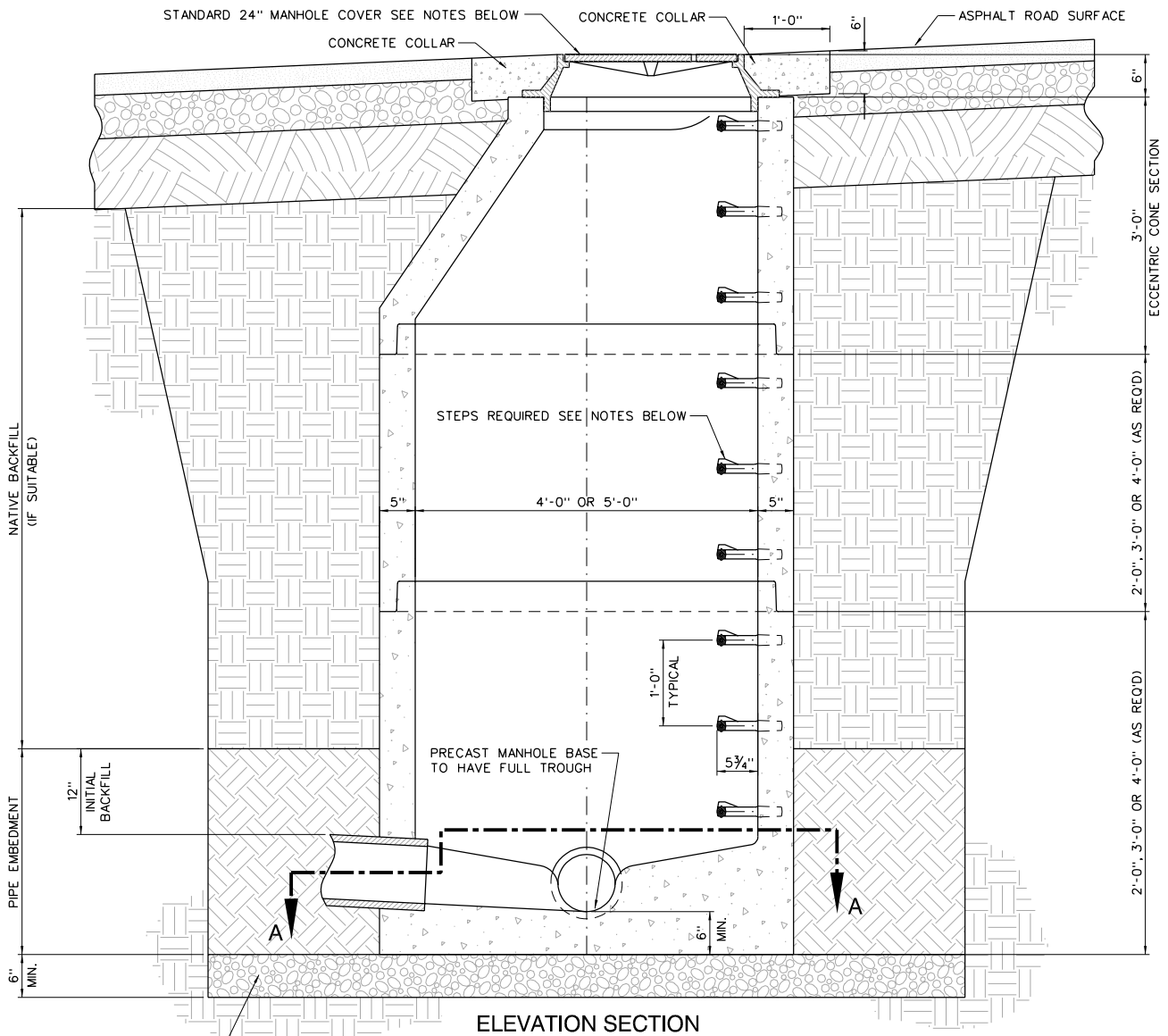
THIS DOCUMENT AND ANY ILLUSTRATIONS HEREON ARE PROVIDED AS STANDARD CONSTRUCTION DETAILS WITHIN LINDON CITY. DEVIATION FROM THIS DOCUMENT REQUIRES APPROVAL OF LINDON CITY, LINDON CITY CORPORATION AND J-U-B ENGINEERS CAN NOT BE HELD LIABLE FOR MISUSE OR CHANGES REGARDING THIS DOCUMENT.

TYPICAL TRENCH SECTIONS

LINDON CITY
100 NORTH STATE

STANDARD DRAWING NUMBER:	10
CAD DWG: LC StdDwg.dgn	
PLOT SCALE:	1,000
DRAWN BY:	MJ
DESIGN BY:	DCI
CHECKED BY:	MLC
ADOPTED DATE:	17 JAN 06

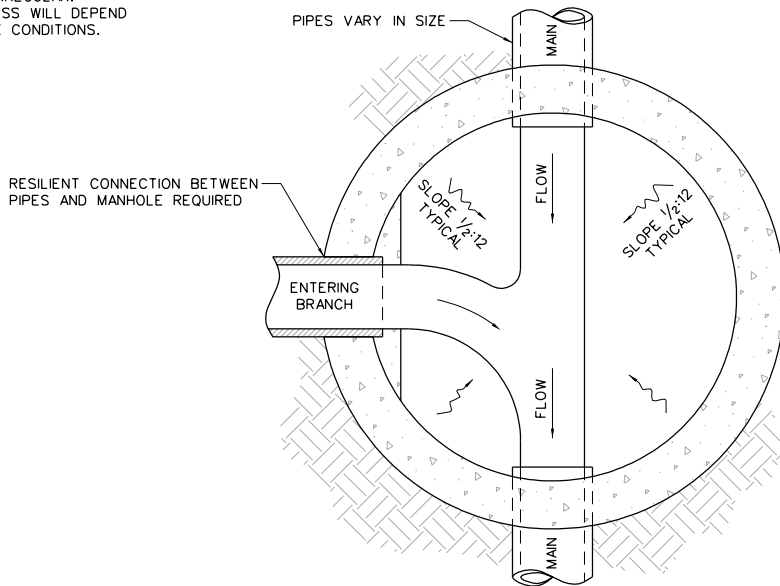
REVISION			
NO.	DESCRIPTION	BY	DATE
1	CLARIFIED BACKFILL & EMBEDMENT ZONES	MJ	MLC



ELEVATION SECTION

3/4" GRAVEL FOUNDATION OUTSIDE SHAPE MAY BE IRREGULAR. MAXIMUM THICKNESS WILL DEPEND ON SPECIFIC SITE CONDITIONS.

- NOTES:
1. MANHOLE COVER TO CONTAIN ONE PICK HOLE. SEE SPECIFICATION DIVISION 5 FOR COVER LABEL. D&L SUPPLY P/N A-1180 (OR EQUAL).
 2. STEPS SHALL BE MADE OF COPOLYMER POLYPROPYLENE CONFORMING TO ASTM D-4101. REINFORCING STEEL TO BE DEFORMED 1/2" DIAMETER GRADE 60 ROD.
 3. FLAT LIDS MAY BE USED IN LIEU OF ECCENTRIC CONES WHERE NECESSARY. FLAT LIDS SHALL BE OF ECCENTRIC DESIGN AND MEET H20 LIVE LOADING. NO FLAT RING AND COVERS WILL BE ALLOWED UNLESS APPROVED BY PUBLIC WORKS.



SECTION A-A



STATEMENT OF USE

THIS DOCUMENT AND ANY ILLUSTRATIONS HEREON ARE PROVIDED AS STANDARD CONSTRUCTION DETAILS WITHIN LINDON CITY. DEVIATION FROM THIS DOCUMENT REQUIRES APPROVAL OF LINDON CITY, LINDON CITY CORPORATION AND J-U-B ENGINEERS CAN NOT BE HELD LIABLE FOR MISUSE OR CHANGES REGARDING THIS DOCUMENT.

REVISION

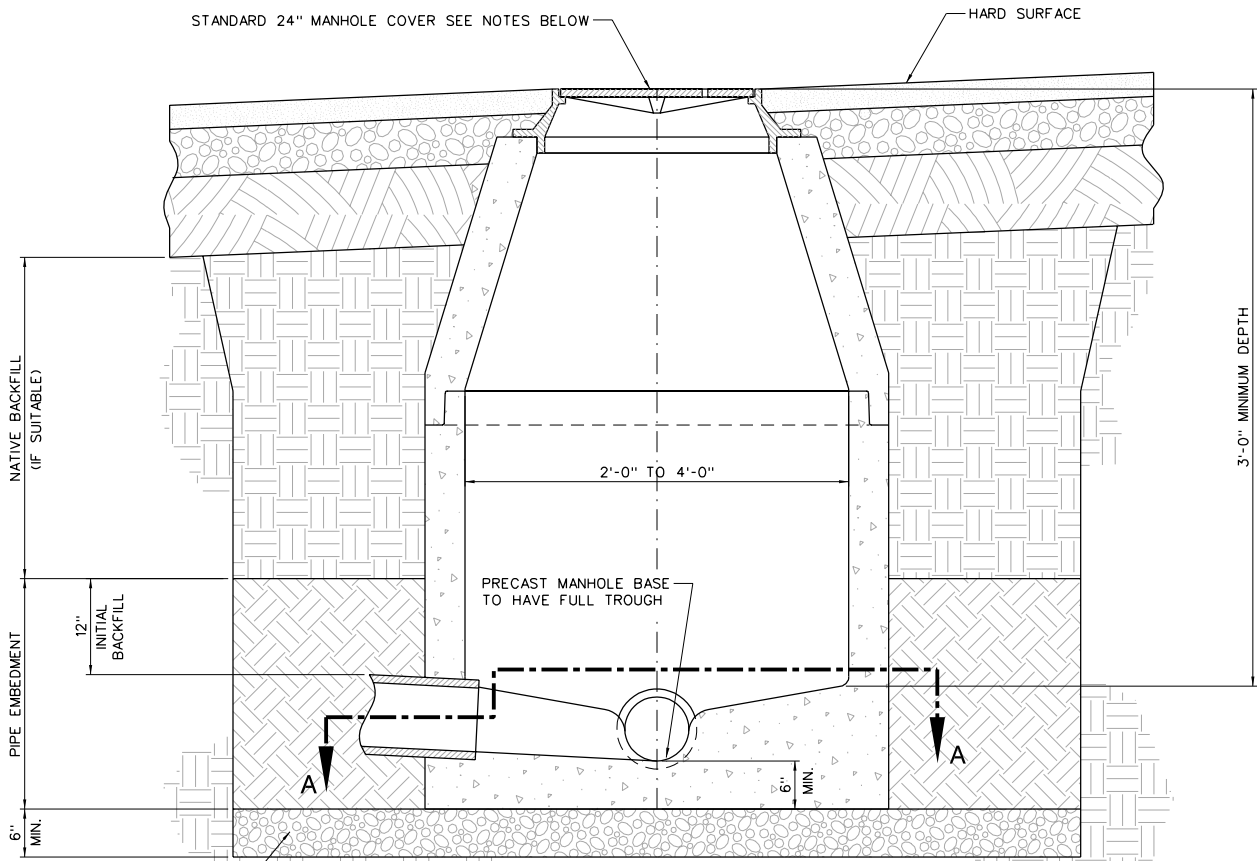
NO.	DESCRIPTION	BY	APPR	DATE
1	ADD CONCRETE COLLAR TO MANHOLE RING	CAF	M.C.	1/22/04
2	REPLACED PART NUMBER IN NOTES	TRG	M.C.	1/09/08



TYPICAL MANHOLE DETAIL

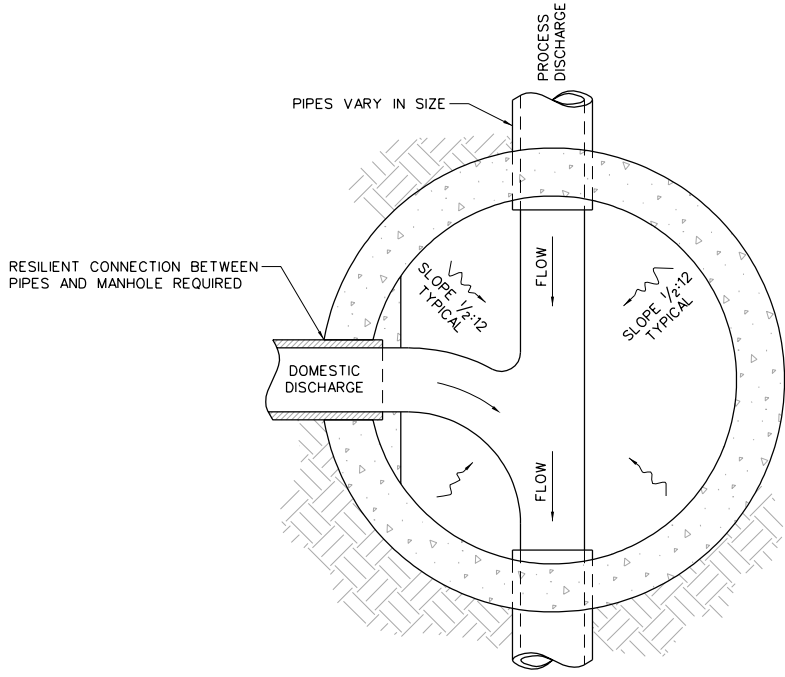
LINDON CITY
100 NORTH STATE

STANDARD DRAWING NUMBER:	11
CAD DWG: LC StdDwg.dgn	
PLOT SCALE:	1:000
DRAWN BY:	BRW
DESIGN BY:	DCI
CHECKED BY:	MJL
ADOPTED DATE:	15 JAN 08



ELEVATION SECTION

3/4" GRAVEL FOUNDATION
OUTSIDE SHAPE MAY BE
IRREGULAR



SECTION A-A

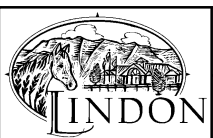
- NOTES:
1. MANHOLE COVER TO CONTAIN ONE PICK HOLE. SEE SPECIFICATION DIVISION 5 FOR COVER LABEL. D&L SUPPLY P/N A-1180 (OR EQUAL).
 2. SAMPLE MANHOLE MAY BE CORRUGATED METAL PIPE WITH A POURED BASE WHEN LOCATED IN A NON-TRAFFIC AREA. IF LOCATED IN A TRAFFIC AREA IT MUST BE CONCRETE WITH A POURED BASE.
 3. FLAT LIDS MAY BE USED IN LIEU OF ECCENTRIC CONES WHERE NECESSARY. FLAT LIDS SHALL BE OF ECCENTRIC DESIGN AND MEET H20 LIVE LOADING. NO FLAT RING AND COVERS WILL BE ALLOWED UNLESS APPROVED BY PUBLIC WORKS.
 4. LATERALS TO BE IN SEPERATE TROUGHS IN MANHOLE.



STATEMENT OF USE

THIS DOCUMENT AND ANY ILLUSTRATIONS HEREON ARE PROVIDED AS STANDARD CONSTRUCTION DETAILS WITHIN LINDON CITY. DEVIATION FROM THIS DOCUMENT REQUIRES APPROVAL OF LINDON CITY, LINDON CITY CORPORATION AND J-U-B ENGINEERS CAN NOT BE HELD LIABLE FOR MISUSE OR CHANGES REGARDING THIS DOCUMENT.

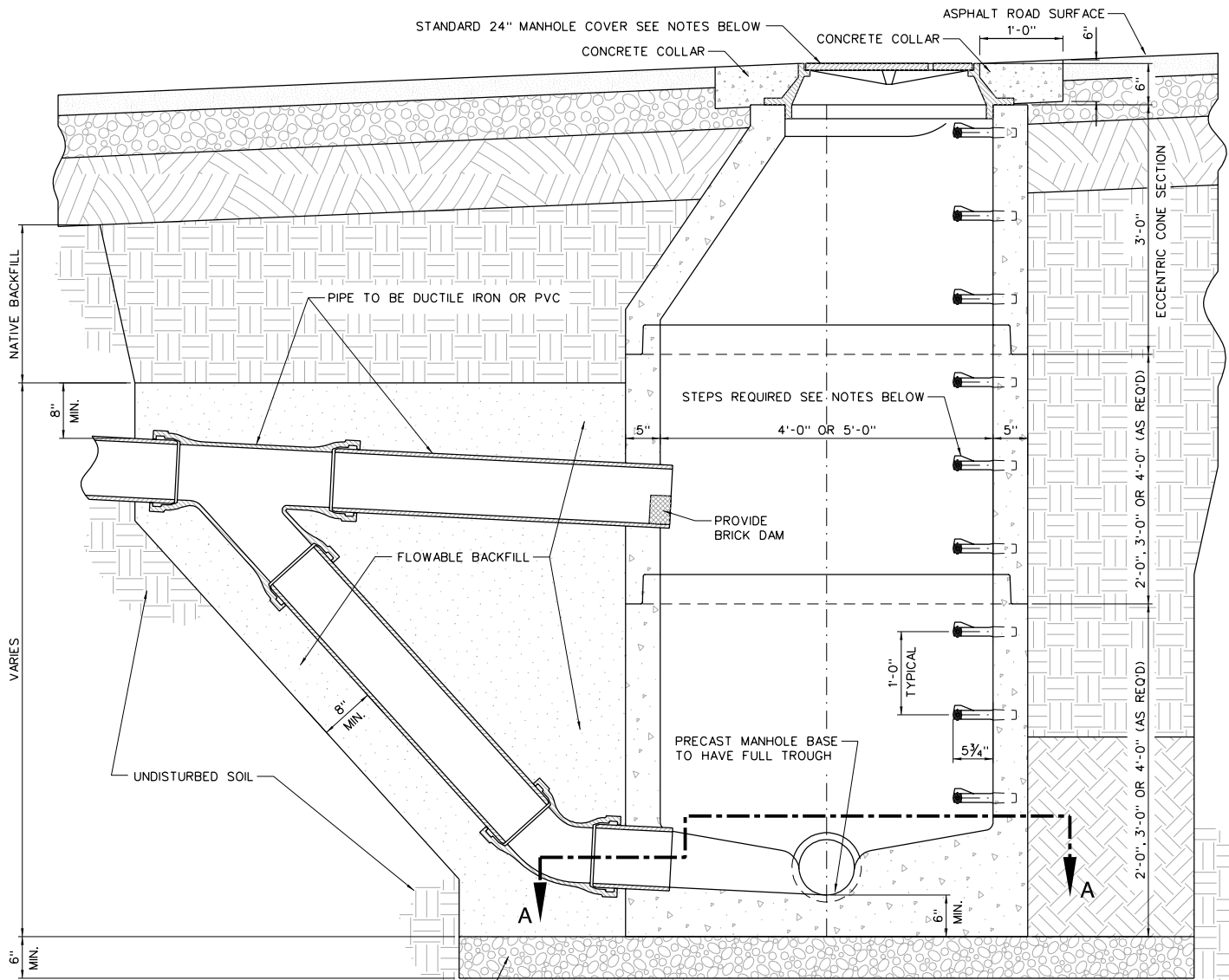
REVISION		TRG	M.C	1/09/08
1	REPLACED PART NUMBER IN NOTES			



TYPICAL SAMPLING MANHOLE

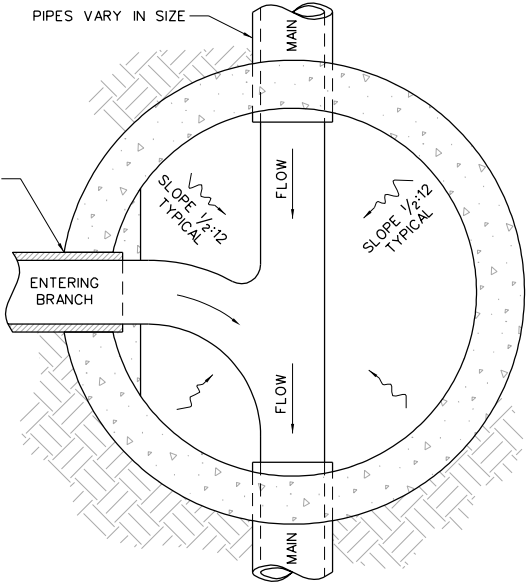
LINDON CITY
100 NORTH STATE

STANDARD DRAWING NUMBER:	12
CAD DWG: LC StdDwg.dgn	
PLOT SCALE:	1:000
DRAWN BY:	BRW
DESIGN BY:	DCI
CHECKED BY:	MJ
ADOPTED DATE:	15 JAN 08



ELEVATION SECTION

3/4" GRAVEL FOUNDATION OUTSIDE SHAPE MAY BE IRREGULAR. MAXIMUM THICKNESS WILL DEPEND ON SPECIFIC SITE CONDITIONS.



NOTES:

1. MANHOLE COVER TO CONTAIN ONE PICK HOLE. SEE SPECIFICATION DIVISION 5 FOR COVER LABEL. D&L SUPPLY P/N A-1180 (OR EQUAL).
2. STEPS SHALL BE MADE OF COPOLYMER POLYPROPYLENE CONFORMING TO ASTM D-4101. REINFORCING STEEL TO BE DEFORMED 1/2" DIAMETER GRADE 60 ROD.
3. FLAT LIDS MAY BE USED IN LIEU OF ECCENTRIC CONES WHERE NECESSARY. FLAT LIDS SHALL BE OF ECCENTRIC DESIGN AND MEET H20 LIVE LOADING. NO FLAT RING AND COVERS WILL BE ALLOWED UNLESS APPROVED BY PUBLIC WORKS.
4. USE FERNCO COUPLING TO TRANSITION TO CONCRETE OR PVC PIPE AS APPROPRIATE.



STATEMENT OF USE

THIS DOCUMENT AND ANY ILLUSTRATIONS HEREON ARE PROVIDED AS STANDARD CONSTRUCTION DETAILS WITHIN LINDON CITY. DEVIATION FROM THIS DOCUMENT REQUIRES APPROVAL OF LINDON CITY. LINDON CITY CORPORATION AND J-U-B ENGINEERS CAN NOT BE HELD LIABLE FOR MISUSE OR CHANGES REGARDING THIS DOCUMENT.

REVISION

NO.	DESCRIPTION	BY	APPR	DATE
1	ADD CONCRETE COLLAR TO MANHOLE RING	CAF	M.C.	1/22/04
2	REPLACED PART NUMBER IN NOTES	TRG	M.C.	1/09/08

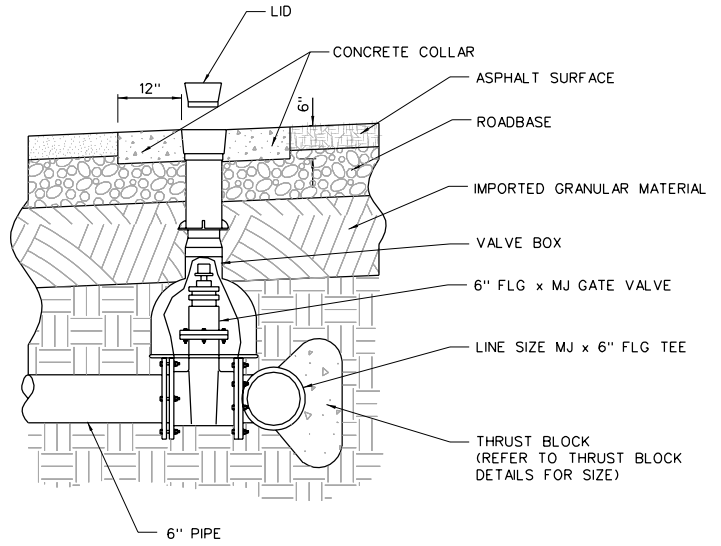
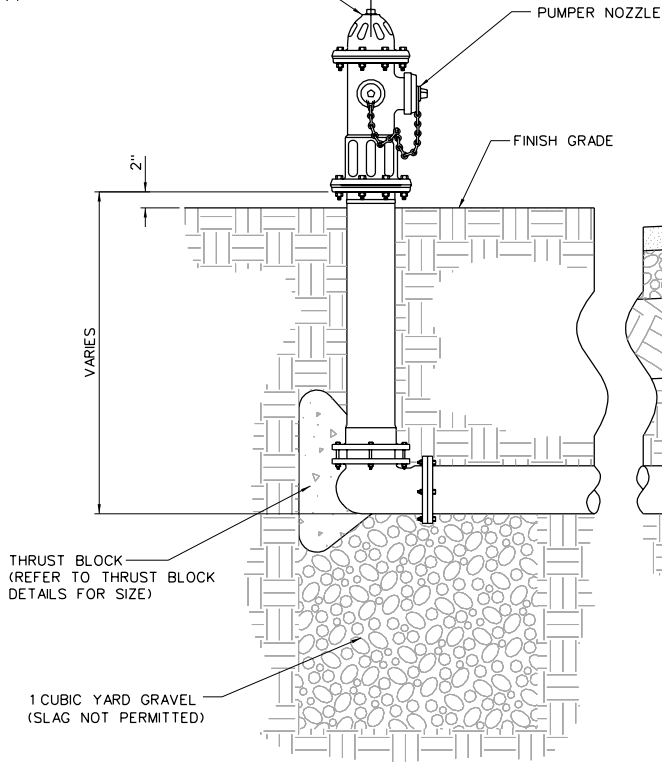


TYPICAL DROP MANHOLE

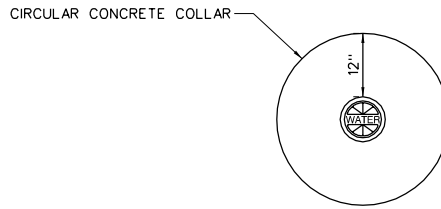
LINDON CITY
100 NORTH STATE

STANDARD DRAWING NUMBER:	13
CAD DWG: LC StdDwg.dgn	
PLOT SCALE:	1:000
DRAWN BY:	BRW
DESIGN BY:	DCI
CHECKED BY:	MJL
ADOPTED DATE:	15 JAN 08

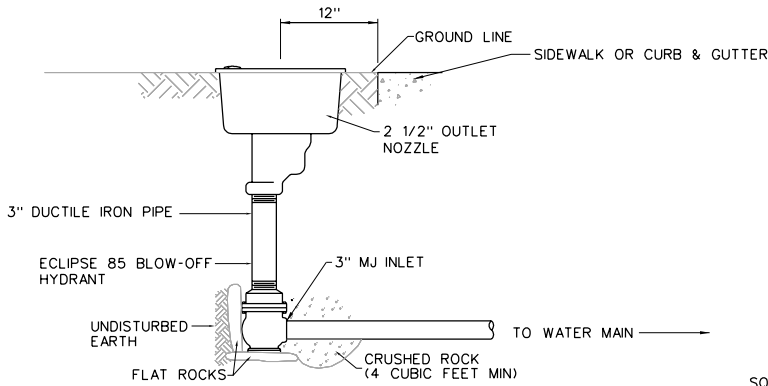
MUELLER "SUPER CENTURION 200"
OR WATEROUS "PACER"
5/4" FIRE HYDRANT



FIRE HYDRANT & WATER VALVE

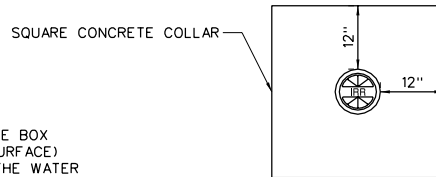


**CULINARY WATER VALVE
CONCRETE COLLAR**



BLOW-OFF HYDRANT

NOTE:
A GATE VALVE WITH VALVE BOX
(ACCESSIBLE FROM THE SURFACE)
SHALL BE INSTALLED AT THE WATER
MAIN CONNECTION.



**PRESSURE IRRIGATION VALVE
CONCRETE COLLAR**



STATEMENT OF USE

THIS DOCUMENT AND ANY ILLUSTRATIONS HEREON ARE PROVIDED AS STANDARD CONSTRUCTION DETAILS WITHIN LINDON CITY. DEVIATION FROM THIS DOCUMENT REQUIRES APPROVAL OF LINDON CITY, LINDON CITY CORPORATION AND J-U-B ENGINEERS CAN NOT BE HELD LIABLE FOR MISUSE OR CHANGES REGARDING THIS DOCUMENT.

REVISION

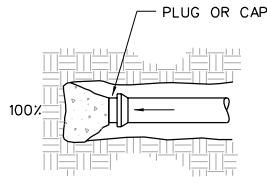
NO.	DESCRIPTION	BY	APPR	DATE
1	ADD BLOW OFF HYDRANT AND CONCRETE COLLAR DETAILS	CJF	M.C.	20JAN04
2	ADDED NOTE	TRG	M.C.	9JAN08
3	UPDATED NOTES	SAC	M.C.	22DEC08



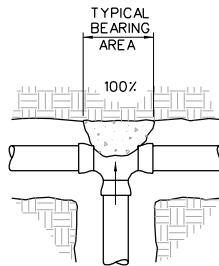
**FIRE HYDRANT, BLOW-OFF HYDRANT
& WATER VALVE DETAIL**

LINDON CITY
100 NORTH STATE

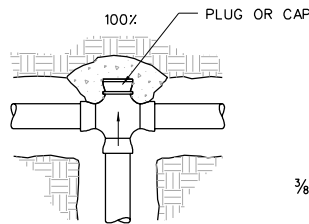
STANDARD DRAWING NUMBER:	14
CAD DWG: LC StdDwg.dgn	
PLOT SCALE:	1:000
DRAWN BY:	BRW
DESIGN BY:	DCI
CHECKED BY:	MJL
ADOPTED DATE:	(BY DRC) 8 JAN 09



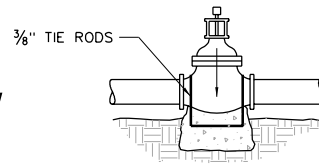
DEAD END PLAN VIEW



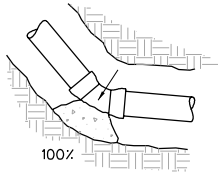
TEE PLAN VIEW



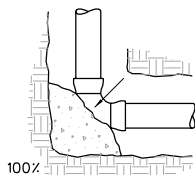
CROSS W/PLUG PLAN VIEW



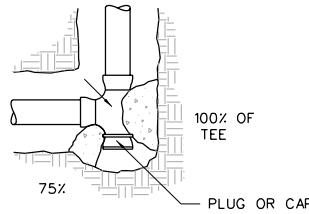
VALVE ELEVATION VIEW



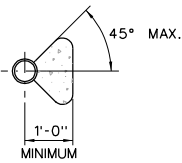
ELBOW PLAN VIEW



ELBOW PLAN VIEW



TEE W/PLUG PLAN VIEW



TYPICAL SECTION THRU THRUST BLOCK

2 * 5 REBAR WRAPPED AROUND ELBOW AND COMPLETELY ENCASED IN CONCRETE

WEIGHT OF CONCRETE TO RESIST 100% OF TOTAL THRUST

GRAVITY THRUST BLOCK ELEVATION VIEW

- NOTES:
1. THE FIGURE (100%) AT THE THRUST BLOCK INDICATES PER CENT OF TOTAL THRUST TO BE APPLIED FOR BEARING AREA.
 2. THE ARROW (→) INDICATES THRUST DIRECTION.
 3. CONCRETE FOR THRUST BLOCKS TO BE 3000 P.S.I..
 4. ALL MJ AND FLANGED FITTINGS TO BE WRAPPED WITH 12 MIL POLYETHYLENE PRIOR TO PLACING CONCRETE THRUST BLOCK
 5. WHERE SUFFICIENT BEARING SURFACE IS NOT AVAILABLE FOR THRUST BLOCK, MEGALUG THRUST RESTRAINING GLANDS MAY BE USED. MEGALUG THRUST RESTRAINING GLANDS SHALL BE INSTALLED PER MANUFACTURER'S RECOMENDATION INCLUDING ANY JOINT RESTRAINT. ANY USE OF MEGALUG OR CHANGE TO THE THRUST BEARING CHART MUST BE REVIEWED BY THE ENGINEER.

TABLE 1

Use when line pressure and soil bearing strength are known.

Line Pressure: _____ psi
 Test Pressure (Sf = 1.5): _____ psi
 Soil Bearing Strength: _____ psf
 (Soil Bearing Strength determined from a geotechnical investigation.)

Side Thrust (lbs.) per 1 psi line pressure

Pipe Size (")	Pipe Area* (sq. in.)	Dead End or Tee (lbs.)	90° Bend (lbs.)	45° Bend (lbs.)	22.5° Bend (lbs.)	11.25° Bend (lbs.)
4	14.39	22	31	17	9	5
6	32.17	49	69	37	19	10
8	56.88	86	121	66	34	17
10	86.92	131	185	100	51	26
12	124.29	187	264	143	73	37
14	168.33	253	358	194	99	50
16	219.56	330	466	253	129	65
18	277.59	417	589	319	163	82
20	342.41	514	727	394	201	101
24	490.09	736	1,040	563	287	145
30	757.69	1,137	1,608	870	444	223

Example for Table 1:
 8-inch 90° bend
 Line Pressure = 100 psi
 From Table: Thrust per 1 psi = 121 lbs.
 Calculate Total Thrust: 100 psi x 121 lbs/psi = 12,100 lbs
 Soil Bearing Strength = 2,000 psf
 Area of bearing required for thrust block is 6.1 sq. ft. (12,100 lbs / 2,000 psf = 6.1 sq. ft.)

* Pipe area is based on largest actual inside diameter of ductile iron pipe.

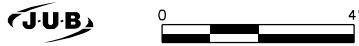
TABLE 2

Use when line pressure and soil bearing strength are not known.

Line Pressure: 120 psi
 Test Pressure (Sf = 1.5): 180 psi
 Soil Bearing Strength: 1,500 psf

Area of Bearing Required (sq. ft.)

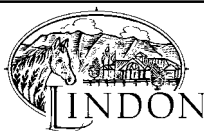
Pipe Size (")	Pipe Area* (sq. in.)	Dead End or Tee (sq. ft.)	90° Bend (sq. ft.)	45° Bend (sq. ft.)	22.5° Bend (sq. ft.)	11.25° Bend (sq. ft.)
4	14.39	1.7	2.4	1.3	0.7	0.3
6	32.17	3.9	5.5	3.0	1.5	0.8
8	56.88	6.8	9.7	5.2	2.7	1.3
10	86.92	10.4	14.8	8.0	4.1	2.0
12	124.29	14.9	21.1	11.4	5.8	2.9
14	168.33	20.2	28.6	15.5	7.9	4.0
16	219.56	26.3	37.3	20.2	10.3	5.2
18	277.59	33.3	47.1	25.5	13.0	6.5
20	342.41	41.1	58.1	31.4	16.0	8.1
24	490.09	58.8	83.2	45.0	22.9	11.5
30	757.69	90.9	128.6	69.6	35.5	17.8



STATEMENT OF USE

THIS DOCUMENT AND ANY ILLUSTRATIONS HEREON ARE PROVIDED AS STANDARD CONSTRUCTION DETAILS WITHIN LINDON CITY. DEVIATION FROM THIS DOCUMENT REQUIRES APPROVAL OF LINDON CITY, LINDON CITY CORPORATION AND J-U-B ENGINEERS CAN NOT BE HELD LIABLE FOR MISUSE OR CHANGES REGARDING THIS DOCUMENT.

REVISION

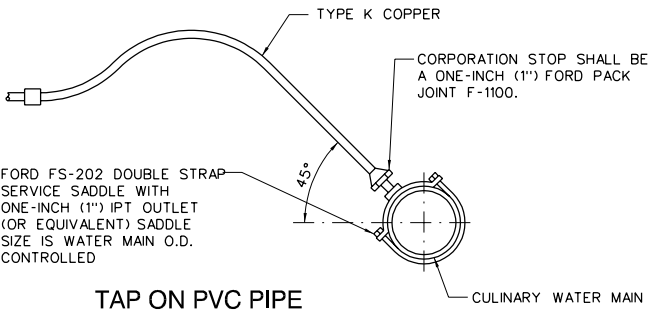
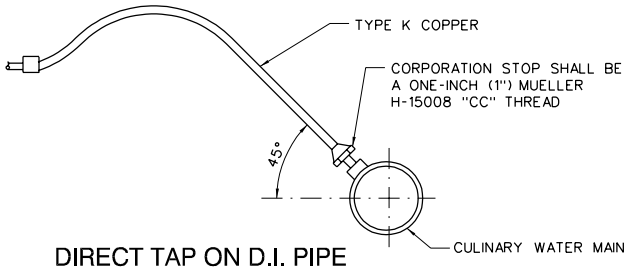
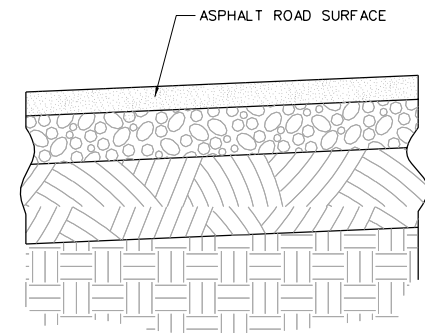
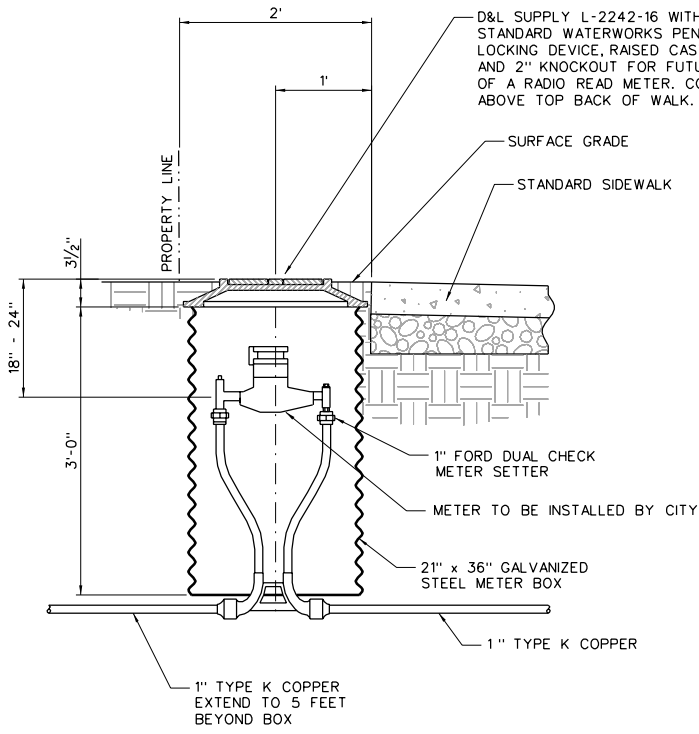


THRUST BLOCK DETAILS

LINDON CITY
 100 NORTH STATE

STANDARD DRAWING NUMBER: 15
 CAD DWG: LC_Std0wgs.dgn
 PLOT SCALE: 1:000
 DRAWN BY: MJU
 DESIGN BY: DCT
 CHECKED BY:
 ADOPTED DATE: 5 MAY 98

NO.	DESCRIPTION	BY	APR.	DATE



- NOTE:**
- METER BOX AND SETTER INSTALLED BY DEVELOPER/CONTRACTOR.
 - WATER SERVICE TO BE STUBBED AT CENTER OF LOT.
 - ALL CONNECTIONS SHALL BE MADE USING PACK JOINTS (COMPRESSION) TYPE FITTINGS.

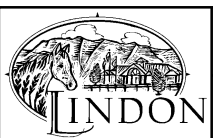
LINDON CITY CORPORATION WATER SERVICE INFORMATION					
SERVICE SIZE	METER BOX SIZE	TYPE OF MATERIAL FOR METER BOX	WATER METER	CONNECTION TYPE	BYPASS
1"	21" DIA.	CORRUGATED	BY CITY	COMPRESSION	NO



STATEMENT OF USE

THIS DOCUMENT AND ANY ILLUSTRATIONS HEREON ARE PROVIDED AS STANDARD CONSTRUCTION DETAILS WITHIN LINDON CITY. DEVIATION FROM THIS DOCUMENT REQUIRES APPROVAL OF LINDON CITY, LINDON CITY CORPORATION AND J-U-B ENGINEERS CAN NOT BE HELD LIABLE FOR MISUSE OR CHANGES REGARDING THIS DOCUMENT.

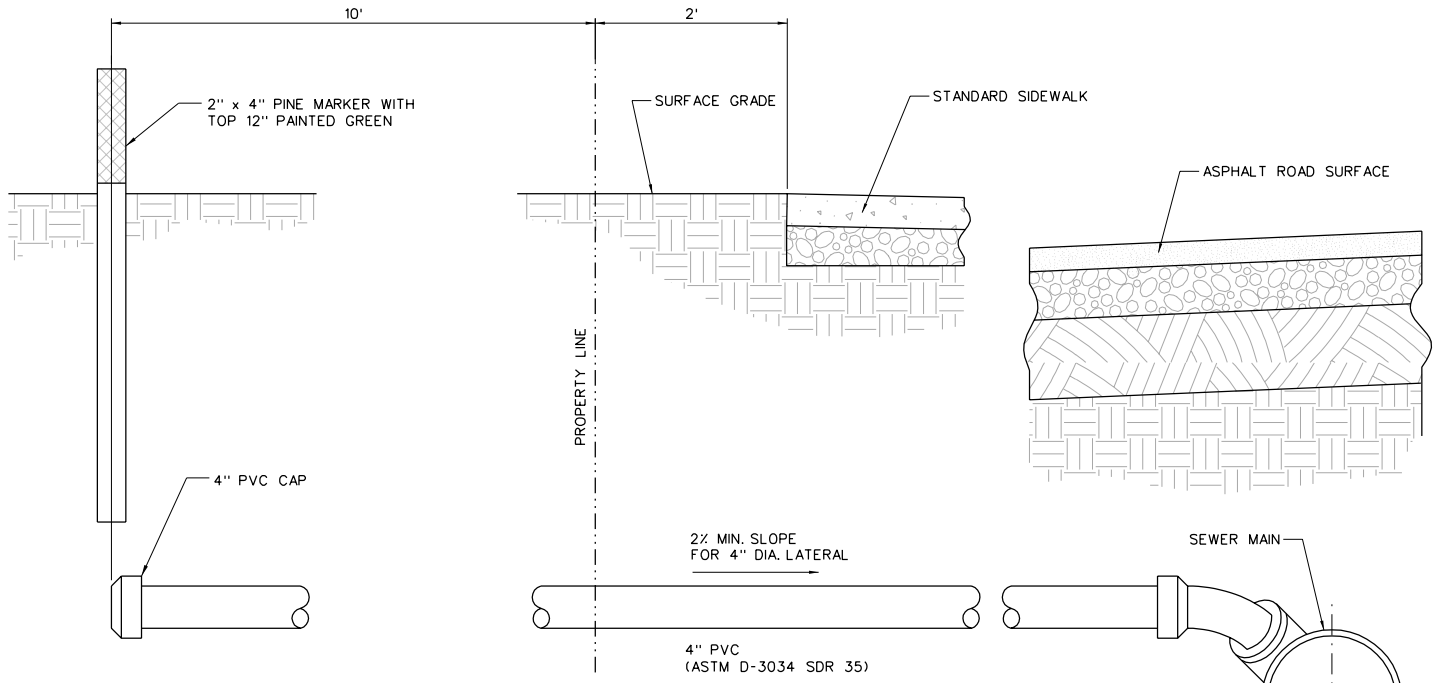
REVISION			
NO.	DESCRIPTION	BY	DATE
1	CORRECT PART NUMBER CALLOUT	DMF	M.C. 1/11/04
2	MODIFIED WATER METER LID PART NUMBER	M.C.	M.C. 1/11/07



TYPICAL CULINARY WATER CONNECTION

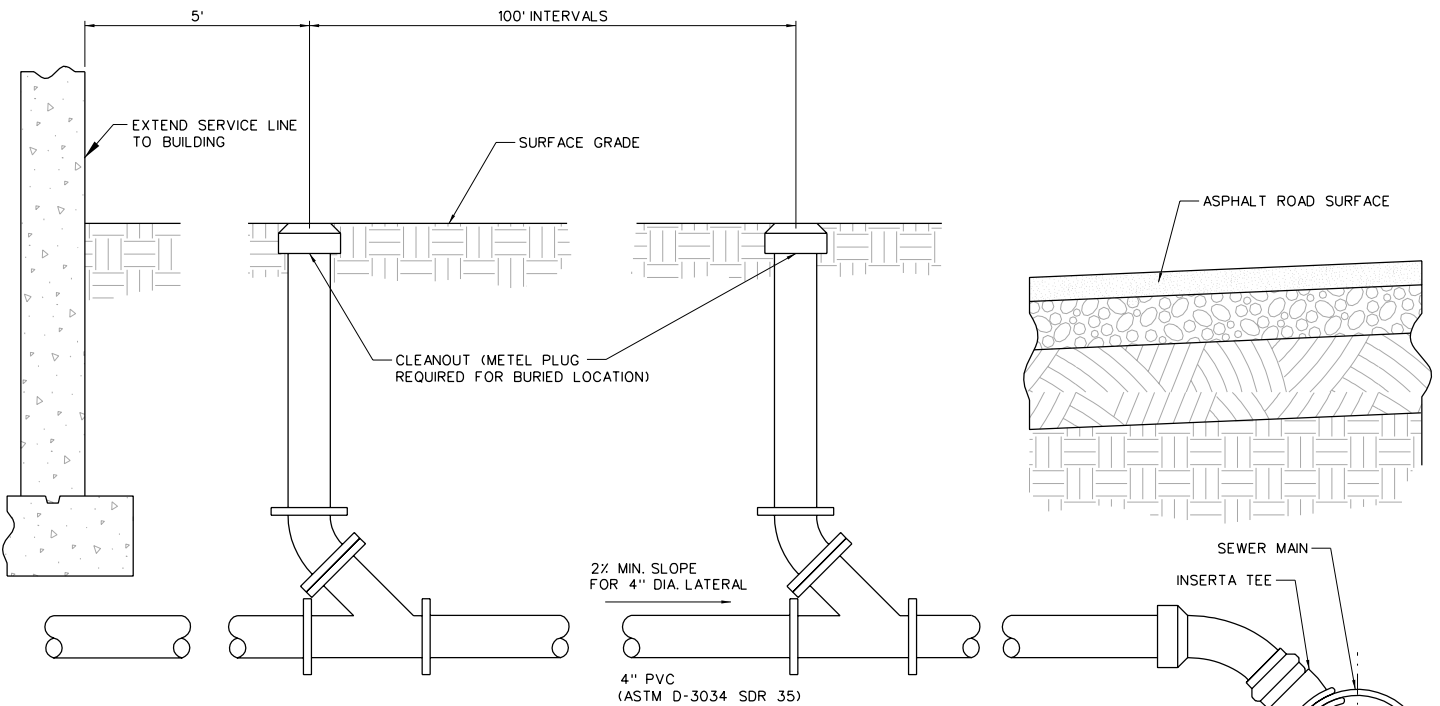
LINDON CITY
100 NORTH STATE

STANDARD DRAWING NUMBER:	16
CAD DWG: LC StdDwg.dgn	
PLOT SCALE:	1,000
DRAWN BY:	BRW
DESIGN BY:	DCI
CHECKED BY:	MJJ
ADOPTED DATE:	16 JAN 07



STUB FOR NEW CONSTRUCTION

- NOTES FOR CONNECTING TO NEW SEWER MAIN:
1. CONNECTION TO MAIN SHALL BE BY WYE'S OR TEE'S INSTALLED AS PART OF THE SEWER MAIN CONSTRUCTION.
 2. LOCATION OF STUB TO BE 10' UPHILL OF LOWEST FRONT LOT CORNER.
 3. SHOW CENTERLINE STATIONING OF THE LATERAL FROM THE NEAREST DOWNSTREAM MANHOLE. USE SAME STATIONING USED FOR SEWER MAIN.



TIE TO EXISTING CONSTRUCTION

- NOTES FOR CONNECTING TO EXISTING SEWER MAIN:
1. CORE SEWER MAIN AND INSTALL INSERTA TEE FITTING ACCORDING TO MANUFACTURER'S RECOMMENDATIONS.
 2. CONNECTION TO BE MADE IN PRESENCE OF PUBLIC WORKS INSPECTOR.



STATEMENT OF USE

THIS DOCUMENT AND ANY ILLUSTRATIONS HEREON ARE PROVIDED AS STANDARD CONSTRUCTION DETAILS WITHIN LINDON CITY. DEVIATION FROM THIS DOCUMENT REQUIRES APPROVAL OF LINDON CITY. LINDON CITY CORPORATION AND J-U-B ENGINEERS CAN NOT BE HELD LIABLE FOR MISUSE OR CHANGES REGARDING THIS DOCUMENT.

REVISION

NO.	DESCRIPTION	BY	APR.	DATE
1	CHANGE COLOR OF PINE MARKER TO GREEN	M.C.	M.C.	1/13/05
2	CHANGED LATERAL CONNECTION TO INSERTA TEE AND UPDATED NOTES ACCORDINGLY	TRG	M.C.	1/09/08

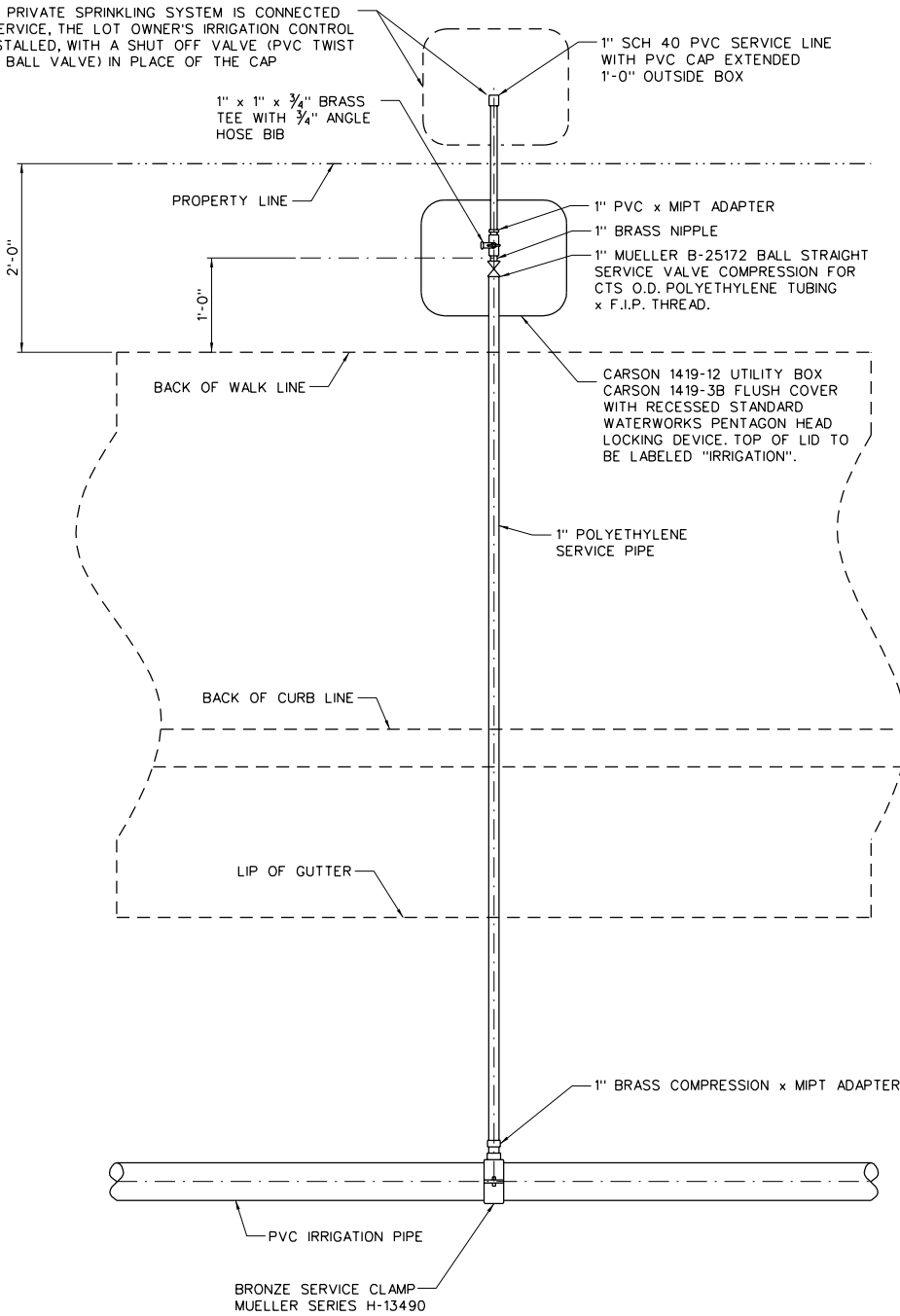


TYPICAL SEWER LATERAL

LINDON CITY
100 NORTH STATE

STANDARD DRAWING NUMBER:	17
CAD DWG: LC StdWgs.dgn	
PLOT SCALE:	1,000
DRAWN BY:	BKW
DESIGN BY:	DCI
CHECKED BY:	MJL
ADOPTED DATE:	15 JAN 08

WHEN THE PRIVATE SPRINKLING SYSTEM IS CONNECTED TO THE SERVICE, THE LOT OWNER'S IRRIGATION CONTROL BOX IS INSTALLED, WITH A SHUT OFF VALVE (PVC TWIST VALVE OR BALL VALVE) IN PLACE OF THE CAP



IRRIGATION CONNECTION NOTES:

1" SINGLE SERVICE CONNECTION TO MAIN: USE MUELLER SERIES H-13490 BRONZE SERVICE CLAMP AND A BRASS COMPRESSION X MIPT ADAPTER. A RIGID LINER SHALL BE USED INSIDE OF TUBING AT THE COMPRESSION FITTINGS ON 1", 1-1/2" AND 2" SERVICE LINES.

GENERAL:

ALL FITTINGS SHALL BE COMPATIBLE WITH SERVICE SIZE.

SERVICE LINE INSTALLATION AT AN EXISTING CURB GUTTER & SIDEWALK WITH A PLANTER STRIP SHALL HAVE THE UTILITY BOX LOCATED IN THE PLANTER STRIP.

SERVICE LINE INSTALLATION AT EXISTING OR NEW MONOLITHIC CURB, GUTTER & SIDEWALK SHALL HAVE THE UTILITY BOX LOCATED BEHIND THE SIDEWALK.

SERVICE LINE INSTALLATION AT A LOCATION WITH NO CURB, GUTTER & SIDEWALK SHALL HAVE THE UTILITY BOX LOCATED BEHIND THE FUTURE SIDEWALK.

THE LARGEST SERVICE SIZE ALLOWED IS 2".

SERVICE SIZE SCHEDULE

LOT SIZE	MAXIMUM SERVICE SIZE
1 ACRE OR LESS	1"
1-2 ACRES	1 1/2"
2 ACRES OR MORE	2"



STATEMENT OF USE

THIS DOCUMENT AND ANY ILLUSTRATIONS HEREON ARE PROVIDED AS STANDARD CONSTRUCTION DETAILS WITHIN LINDON CITY. DEVIATION FROM THIS DOCUMENT REQUIRES APPROVAL OF LINDON CITY, LINDON CITY CORPORATION AND J-U-B ENGINEERS CAN NOT BE HELD LIABLE FOR MISUSE OR CHANGES REGARDING THIS DOCUMENT.

REVISION

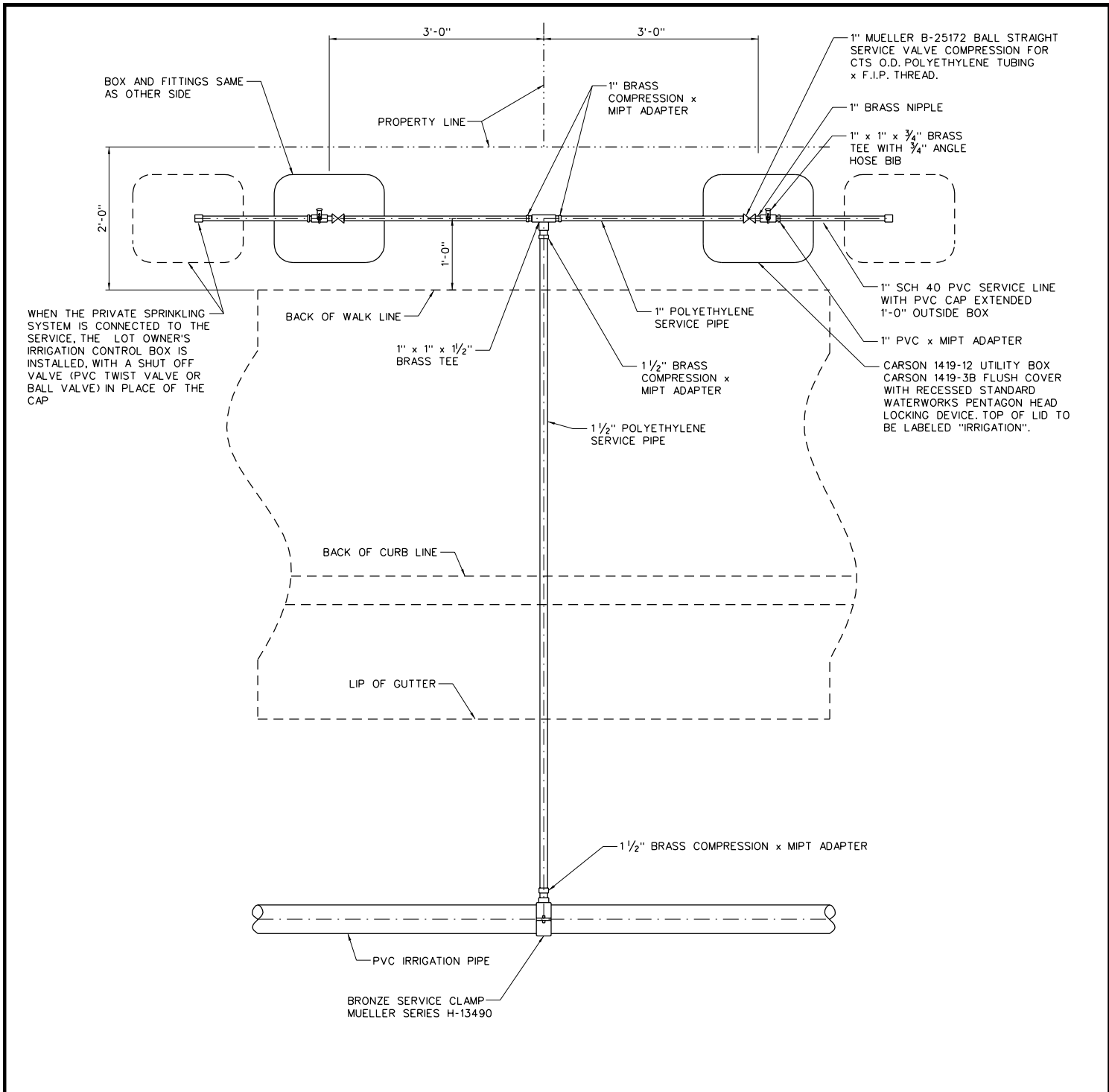
NO.	DESCRIPTION	DATE	BY	APPR.	DATE
2	CHANGE VALVE TYPE AND PART NUMBER	01/21/03	M.C.	M.C.	
3	MODIFIED VALVE PART NUMBER	1/21/07	M.C.	M.C.	
4	MODIFIED BOX PART NUMBER	1/09/08	M.C.	M.C.	
5	ADD SERVICE SIZE SCHEDULE	03/04/10	CJC	M.C.	



SINGLE SERVICE CONNECTION FOR PRESSURE IRRIGATION

LINDON CITY
100 NORTH STATE

STANDARD DRAWING NUMBER:	18
CAD DWG: LC_StdDwg.dwg	
PLOT SCALE:	1:500
DRAWN BY:	BKW
DESIGN BY:	DCJ
CHECKED BY:	MJ
ADOPTED DATE:	01 FEB 11



WHEN THE PRIVATE SPRINKLING SYSTEM IS CONNECTED TO THE SERVICE, THE LOT OWNER'S IRRIGATION CONTROL BOX IS INSTALLED, WITH A SHUT OFF VALVE (PVC TWIST VALVE OR BALL VALVE) IN PLACE OF THE CAP

IRRIGATION CONNECTION NOTES:

1-1/2" SERVICE CONNECTION TO MAIN:
 USE MUELLER SERIES H-13490 AND A BRASS COMPRESSION X MIPT ADAPTER. A RIGID LINER SHALL BE USED INSIDE OF TUBING AT THE COMPRESSION FITTINGS ON 1", 1-1/2" AND 2" SERVICE LINES.

GENERAL:

- ALL FITTINGS SHALL BE COMPATIBLE WITH SERVICE SIZE.
- SERVICE LINE INSTALLATION AT AN EXISTING CURB GUTTER & SIDEWALK WITH A PLANTER STRIP SHALL HAVE THE UTILITY BOX LOCATED IN THE PLANTER STRIP.
- SERVICE LINE INSTALLATION AT EXISTING OR NEW MONOLITHIC CURB, GUTTER & SIDEWALK SHALL HAVE THE UTILITY BOX LOCATED BEHIND THE SIDEWALK.
- SERVICE LINE INSTALLATION AT A LOCATION WITH NO CURB, GUTTER & SIDEWALK SHALL HAVE THE UTILITY BOX LOCATED BEHIND THE FUTURE SIDEWALK.



STATEMENT OF USE

THIS DOCUMENT AND ANY ILLUSTRATIONS HEREON ARE PROVIDED AS STANDARD CONSTRUCTION DETAILS WITHIN LINDON CITY. DEVIATION FROM THIS DOCUMENT REQUIRES APPROVAL OF LINDON CITY, LINDON CITY CORPORATION AND J-U-B ENGINEERS CAN NOT BE HELD LIABLE FOR MISUSE OR CHANGES REGARDING THIS DOCUMENT.

REVISION

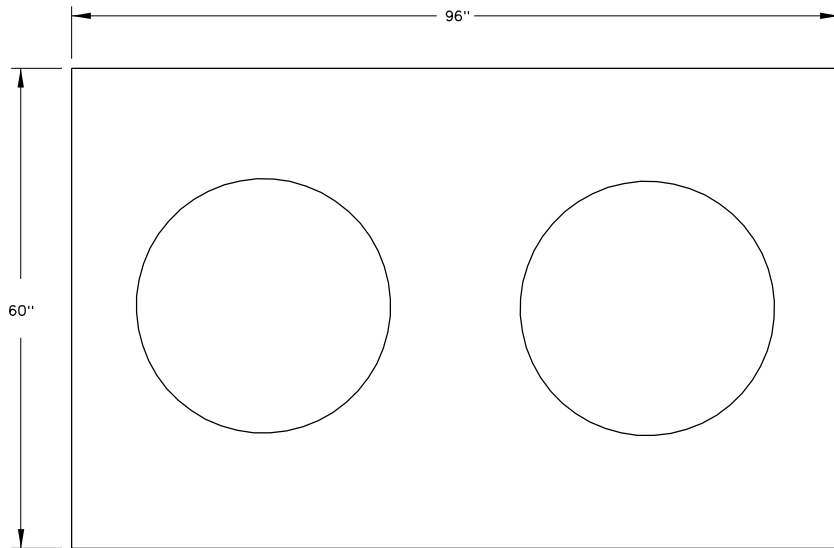
NO.	DESCRIPTION	BY	APPR	DATE
1	ADD LOT OWNER IRRIGATION CONTROL BOX AND NOTE.	M.C.	M.C.	01/10/01
2	CHANGE VALVE TYPE AND PART NUMBER	DMF	M.C.	01/21/03
3	MODIFIED VALVE PART NUMBER	M.C.	M.C.	11/11/07
4	MODIFIED BOX PART NUMBER	M.C.	M.C.	1/29/08



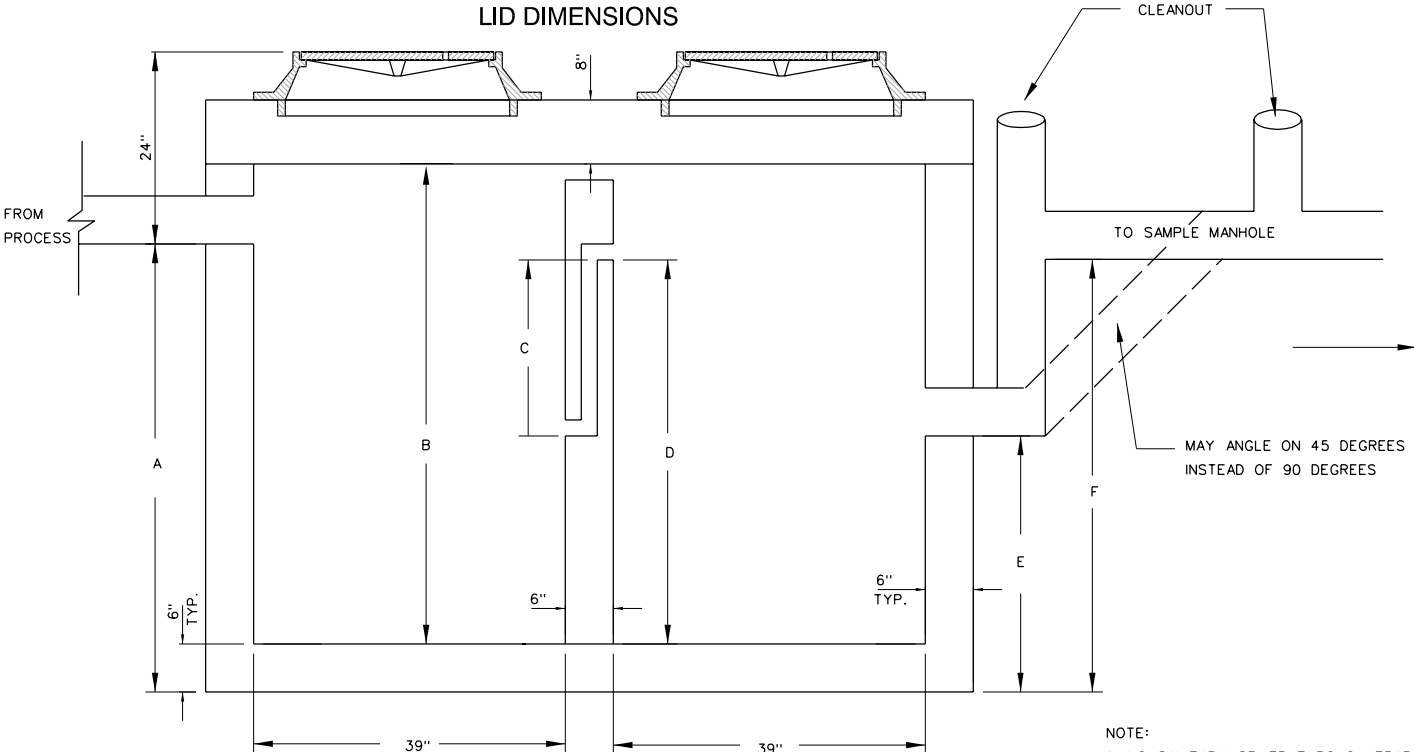
DOUBLE SERVICE CONNECTION FOR PRESSURE IRRIGATION

LINDON CITY
 100 NORTH STATE

STANDARD DRAWING NUMBER:	19
CAD DWG: LC StdDwg.dgn	
PLOT SCALE:	1:000
DRAWN BY:	BRW
DESIGN BY:	DCI
CHECKED BY:	MJL
ADOPTED DATE:	15 JAN 08



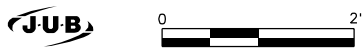
LID DIMENSIONS



INSIDE AND PLUMBING

- NOTE:
- 1- NO SANITARY SEWER THROUGH TRAP
 - 2- DIMENSIONS MAY VARY
 - 3- STEEL REINFORCING TO BE DETERMINED BY MANUFACTURER

CAPACITY (GAL)	DIMENSION A (IN)	DIMENSION B (IN)	DIMENSION C (IN)	DIMENSION D (IN)	DIMENSION E (IN)	DIMENSION F (IN)
800	56	60	23	49	34	53
1000	68	72	24	61	43	65
1200	74	78	24	67	49	71



STATEMENT OF USE

THIS DOCUMENT AND ANY ILLUSTRATIONS HEREON ARE PROVIDED AS STANDARD CONSTRUCTION DETAILS WITHIN LINDON CITY. DEVIATION FROM THIS DOCUMENT REQUIRES APPROVAL OF LINDON CITY, LINDON CITY CORPORATION AND J-U-B ENGINEERS CAN NOT BE HELD LIABLE FOR MISUSE OR CHANGES REGARDING THIS DOCUMENT.

REVISION

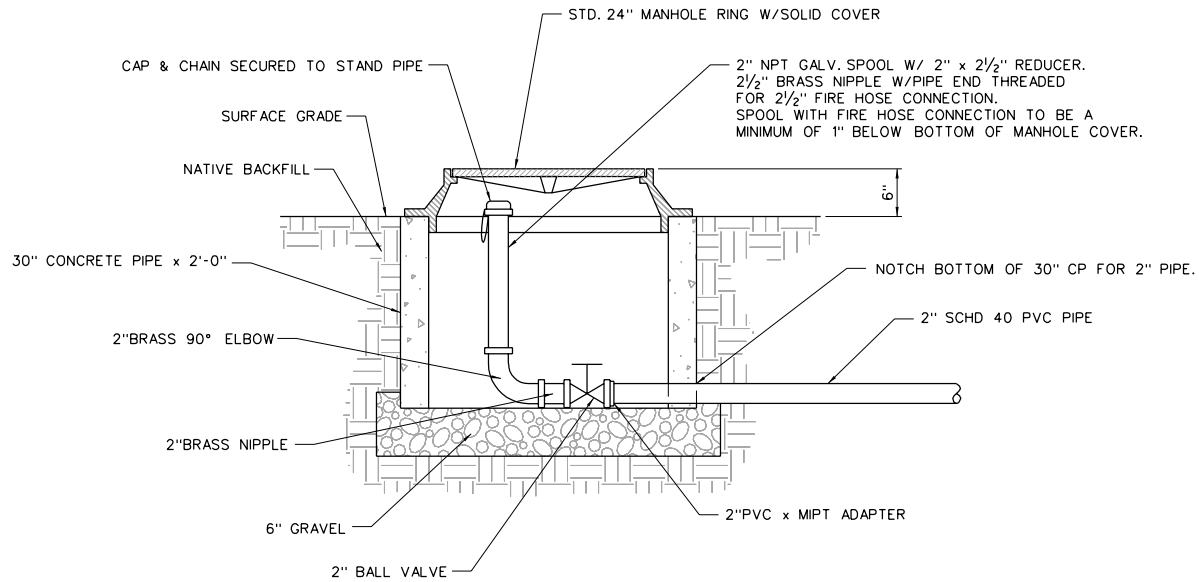
NO.	DESCRIPTION	BY	APP.	DATE
1	ADD TABLE OF DIMENSIONS FOR LARGER VOLUME GREASE TRAPS	CJF	MLC	1/22/04



TYPICAL GREASE TRAP

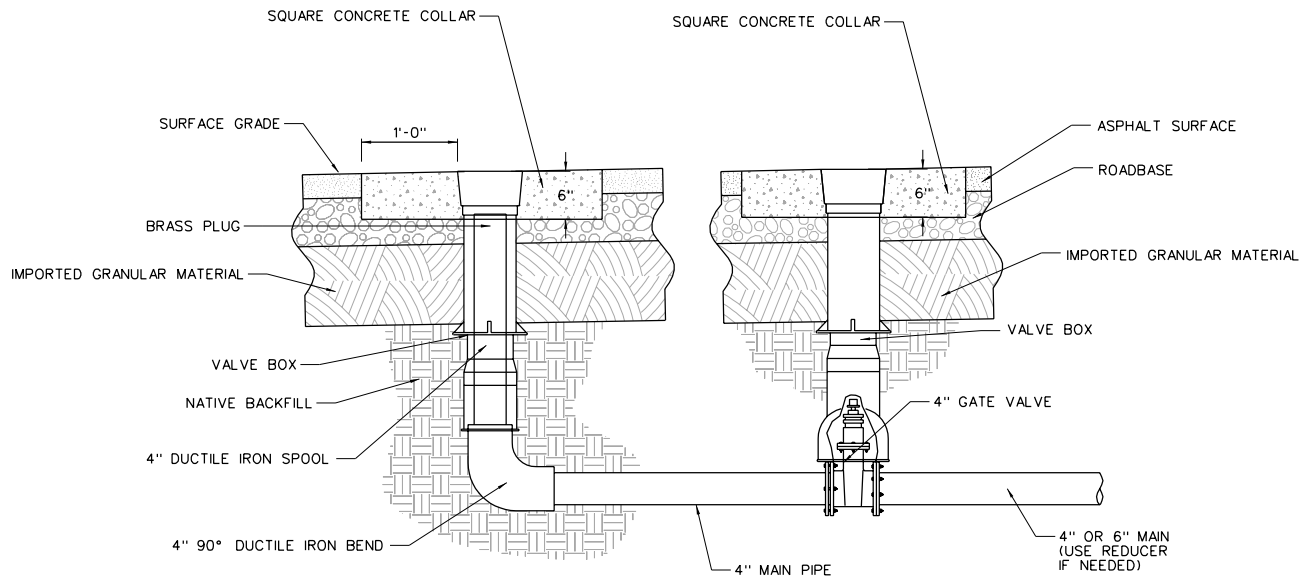
LINDON CITY
100 NORTH STATE

STANDARD DRAWING NUMBER:	20
CAD DWG: LC_StdDwg.dgn	
PLOT SCALE:	1:000
DRAWN BY:	SKW
DESIGN BY:	DCT
CHECKED BY:	MJ
ADOPTED DATE:	20 JAN 04



NOTE:
 8' LENGTH OF 2 1/2" FIRE HOSE TO BE FURNISHED WITH EACH AIR INLET & REMOVAL FACILITY - FOR CURB & GUTTER INCLUDE A 2 1/2" MALE END ADAPTER & A 2 1/2" FEMALE END ADAPTER WITH AN AKRON SWIVEL ELBOW *232 - 45 DEGREES AT THE FEMALE END. HOSE & FITTING TO BE RATED FOR 120 PSI WORKING PRESSURE.

STANDARD SECTION WHERE NO STREET IMPROVEMENTS EXIST



NOTE:
 PLACE VALVE BETWEEN THE AIR INLET AND REMOVAL FACILITY AND THE LAST SERVICE ON THE LINE, JUST BEYOND THE SERVICE

STANDARD SECTION WHERE STREET IMPROVEMENTS EXIST



STATEMENT OF USE

THIS DOCUMENT AND ANY ILLUSTRATIONS HEREON ARE PROVIDED AS STANDARD CONSTRUCTION DETAILS WITHIN LINDON CITY. DEVIATION FROM THIS DOCUMENT REQUIRES APPROVAL OF LINDON CITY, LINDON CITY CORPORATION AND J-U-B ENGINEERS CAN NOT BE HELD LIABLE FOR MISUSE OR CHANGES REGARDING THIS DOCUMENT.

REVISION

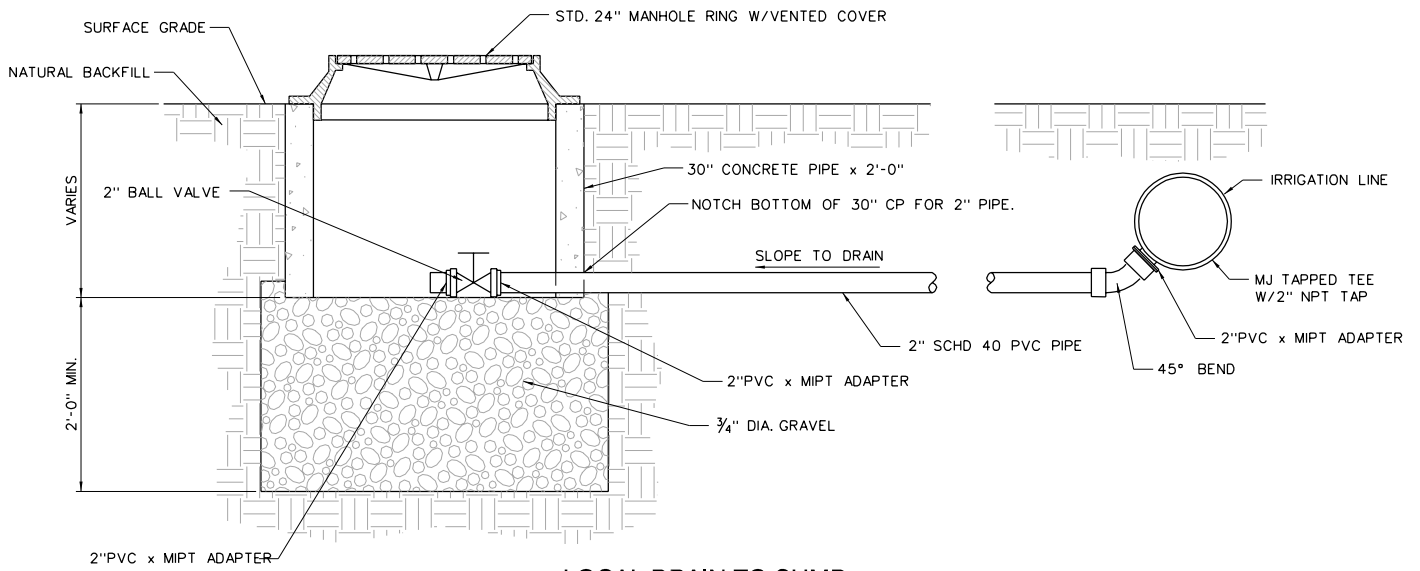
NO.	DESCRIPTION	BY	APR	DATE
1	MODIFY STANDARD SECTION WHERE STREET IMPROVEMENTS EXIST	CC	MLC	10/JAN05
2	ADD VALVE BOX TO THE AIR INLET	CJC	MLC	08/JAN07
3	INSERTED BRASS PLUG ANNOTATION	TRG	MLC	09/JAN08



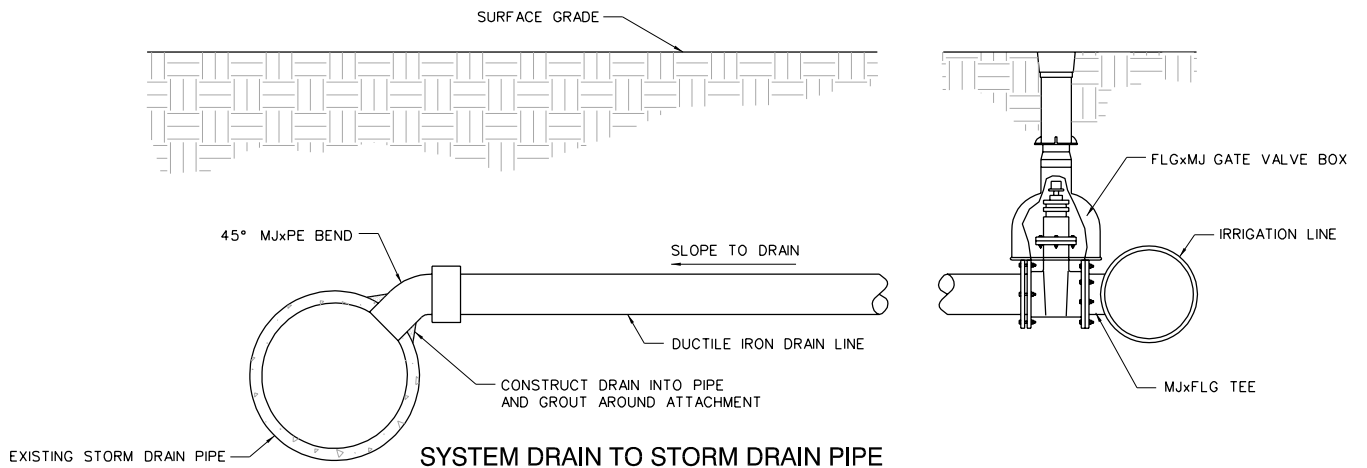
FLUSHING, AIR INLET & REMOVAL FACILITY FOR PRESSURE IRRIGATION

LINDON CITY
 100 NORTH STATE

STANDARD DRAWING NUMBER:	21
CAD DWG: LC StdDraws.dwg	
PLOT SCALE:	1:000
DRAWN BY:	CJC
DESIGN BY:	MLC
CHECKED BY:	MLC
ADOPTED DATE:	15 JAN 08



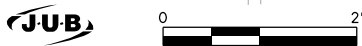
LOCAL DRAIN TO SUMP



SYSTEM DRAIN TO STORM DRAIN PIPE



SYSTEM DRAIN TO CURB INLET BOX



STATEMENT OF USE

THIS DOCUMENT AND ANY ILLUSTRATIONS HEREON ARE PROVIDED AS STANDARD CONSTRUCTION DETAILS WITHIN LINDON CITY. DEVIATION FROM THIS DOCUMENT REQUIRES APPROVAL OF LINDON CITY, LINDON CITY CORPORATION AND J-U-B ENGINEERS CAN NOT BE HELD LIABLE FOR MISUSE OR CHANGES REGARDING THIS DOCUMENT.

REVISION

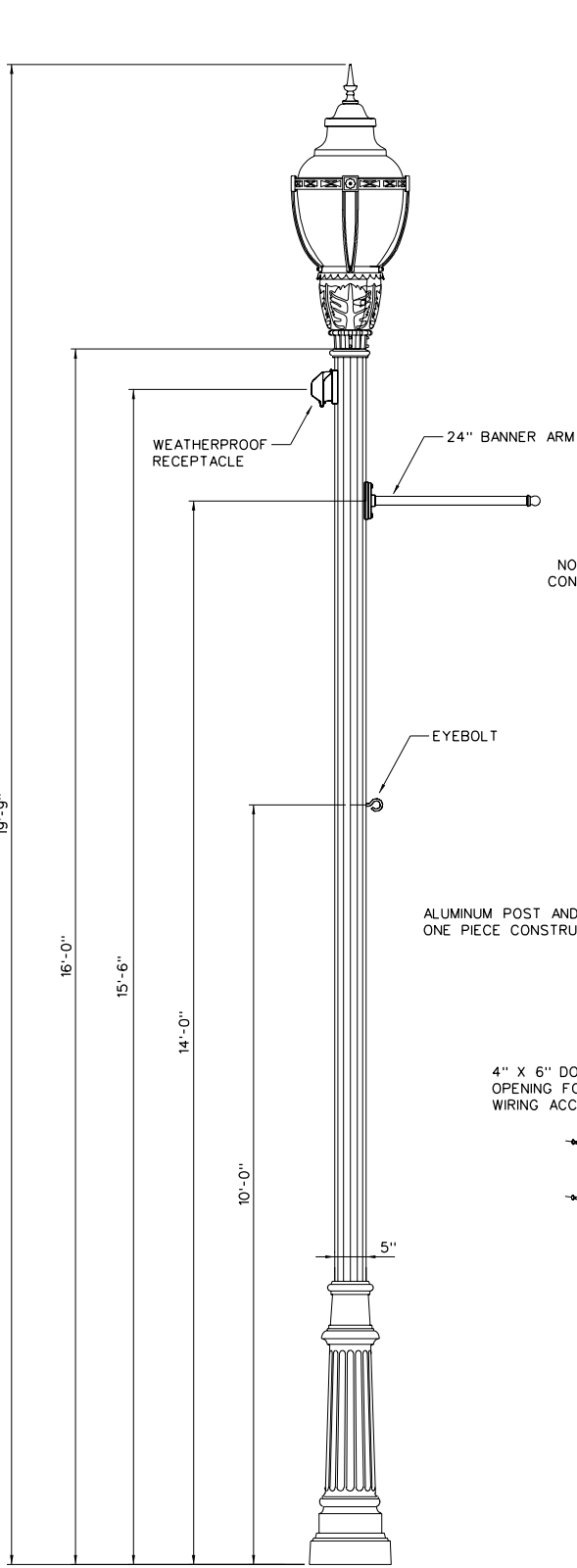
NO.	DESCRIPTION	BY	APR.	DATE
1	MINOR CHANGE TO CORRECTLY SHOW HOW THE FRAME FITS ON THE BOX	DMP	M.L.C.	1/27/03



PRESSURE IRRIGATION DRAINS

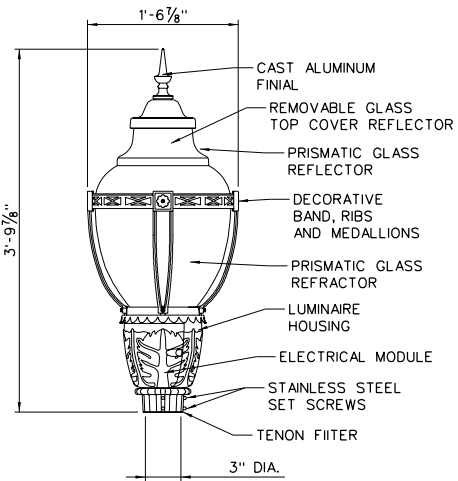
LINDON CITY
100 NORTH STATE

STANDARD DRAWING NUMBER:	22
CAD DWG: LC_StdDwg.dgn	
PLOT SCALE:	1:000
DRAWN BY:	MJ
DESIGN BY:	DCT
CHECKED BY:	MLC
ADOPTED DATE:	5 MAY 98



WASHINGTON POSTLITE DETAIL

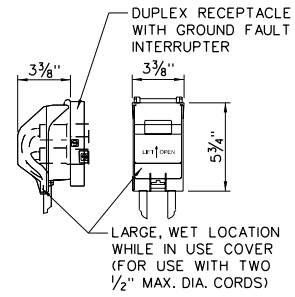
HOLOPHANE CATALOG • ZS16F5/13-CA/BK-
BA24B/1/BO-EB/BO-CA/BK-FGIUL-SBKH-
WA250HP12B4B6PR-25LEADS



LUMINAIRE DETAIL

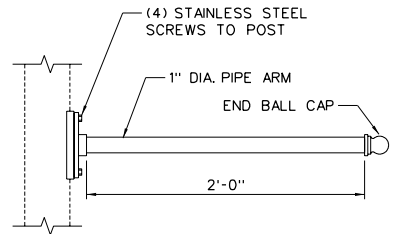
CATALOG • WA250HP12B4B6PR-25LEADS

NOTE: ACRYLIC REFRACTOR AND REFLECTORS MAY BE CONSIDERED IF THEIR PERFORMANCE IS EQUAL TO GLASS



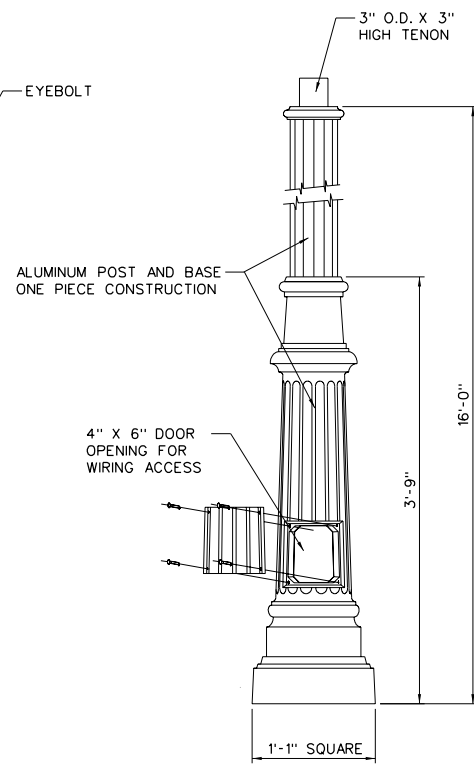
RECEPTALES WITH LARGE, IN USE WET LOCATION COVER

CATALOG • FGIUL-SBKH



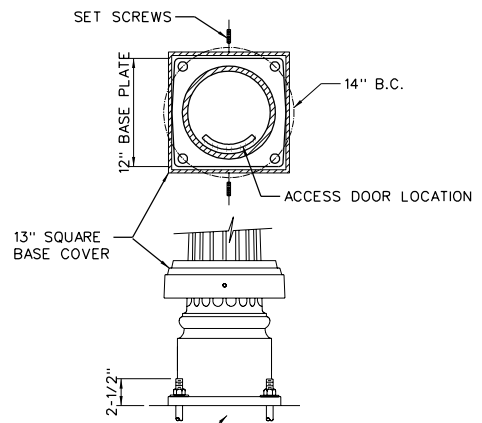
24" BANNER ARM

CATALOG • BA24B/1/BO-EB/BO-CA/BK



POST DETAIL

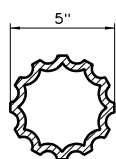
CATALOG • ZS16F5/13-CA/BK



ANCHORAGE DETAIL

SEE CONCRETE OR SCREW FOUNDATION DETAILS ON STANDARD DRAWING *23d

APPROVED EQUAL PARTS MAY BE SUBSTITUTED FOR THE HOLOPHANE PRODUCTS SPECIFIED ON THIS STANDARD DRAWING.

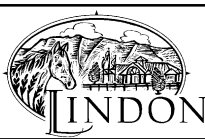


5" DIA. FLUTED SHAFT CROSS SECTION



STATEMENT OF USE
THIS DOCUMENT AND ANY ILLUSTRATIONS HEREON ARE PROVIDED AS STANDARD CONSTRUCTION DETAILS WITHIN LINDON CITY. DEVIATION FROM THIS DOCUMENT REQUIRES APPROVAL OF LINDON CITY. LINDON CITY CORPORATION AND J-U-B ENGINEERS CAN NOT BE HELD LIABLE FOR MISUSE OR CHANGES REGARDING THIS DOCUMENT.

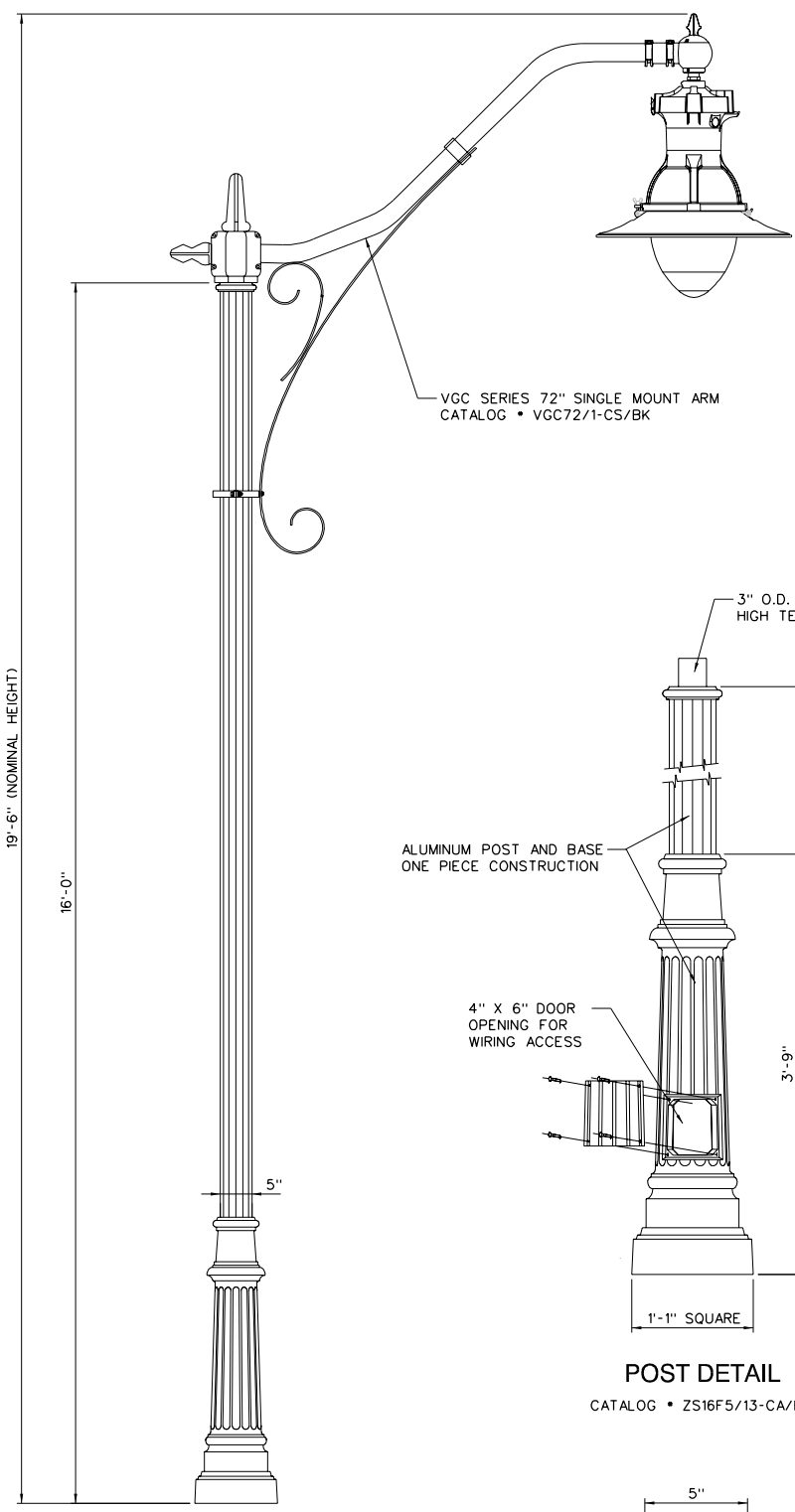
REVISION			
NO.	DESCRIPTION	BY	DATE
1	UPDATE CATALOG NUMBER TO MATCH MANUFACTURER CONVENTIONS	M.C.	1/09/08
2	UPDATE CATALOG NUMBER	M.C.	8/10/10



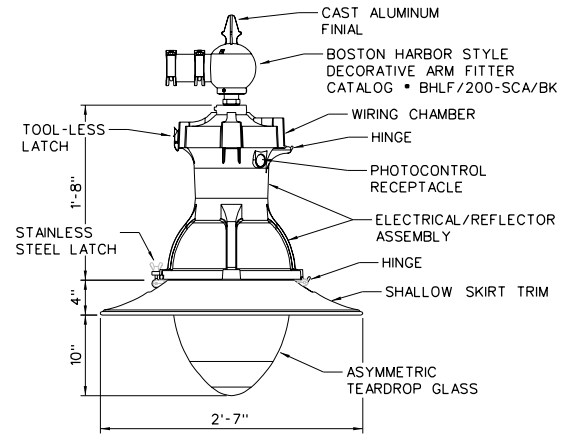
WASHINGTON POSTLITE STREET LIGHT

LINDON CITY
100 NORTH STATE

STANDARD DRAWING NUMBER:	23a
CAD DWG: LC_StdDwg.dwg	
PLOT SCALE:	1:1000
DRAWN BY:	CJC
DESIGN BY:	M.C.
CHECKED BY:	M.C.
ADOPTED DATE:	01 FEB 11

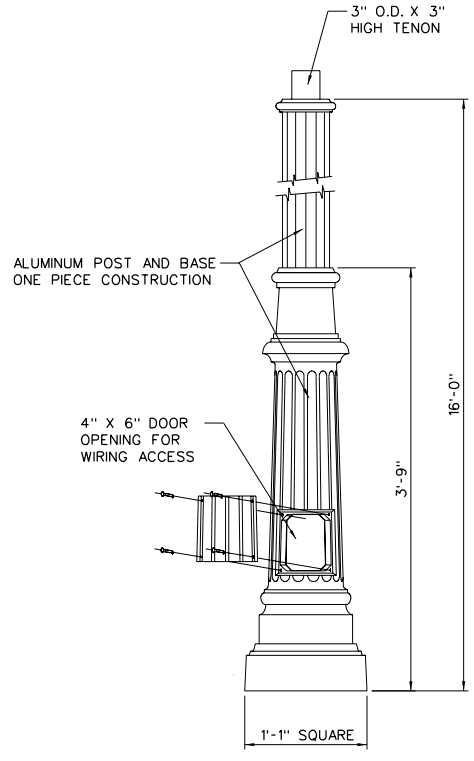


ESPLANADE DETAIL
 HOLOPHANE CATALOG • ZS16F5/13-CA/BK-
 VGC72/1-CA/BK-BHLF/200-SCA/BK
 ESU250HPMAB4R SS

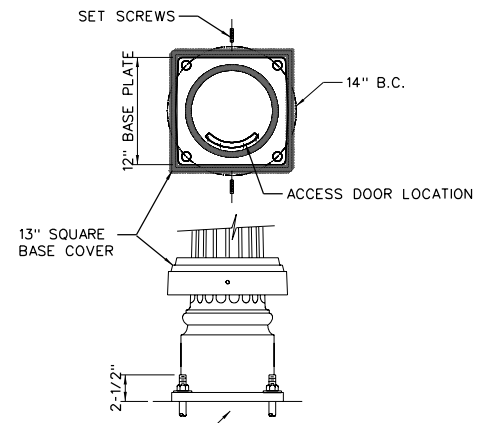


LUMINAIRE DETAIL
 CATALOG • ESU250HPMAB4R SS

NOTE: ACRYLIC REFRACTOR AND REFLECTORS MAY BE CONSIDERED IF THEIR PERFORMANCE IS EQUAL TO GLASS

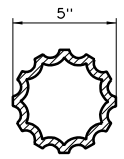


POST DETAIL
 CATALOG • ZS16F5/13-CA/BK



SEE CONCRETE OR SCREW FOUNDATION DETAILS ON STANDARD DRAWING •23d

ANCHORAGE DETAIL



5" DIA. FLUTED SHAFT CROSS SECTION

APPROVED EQUAL PARTS MAY BE SUBSTITUTED FOR THE HOLOPHANE PRODUCTS SPECIFIED ON THIS STANDARD DRAWING.



STATEMENT OF USE

THIS DOCUMENT AND ANY ILLUSTRATIONS HEREON ARE PROVIDED AS STANDARD CONSTRUCTION DETAILS WITHIN LINDON CITY. DEVIATION FROM THIS DOCUMENT REQUIRES APPROVAL OF LINDON CITY, LINDON CITY CORPORATION AND J-U-B ENGINEERS CAN NOT BE HELD LIABLE FOR MISUSE OR CHANGES REGARDING THIS DOCUMENT.

REVISION

NO.	DESCRIPTION	BY	APR	DATE
1	CORRECTED NOTE	SAC	M.C.	08/28/08

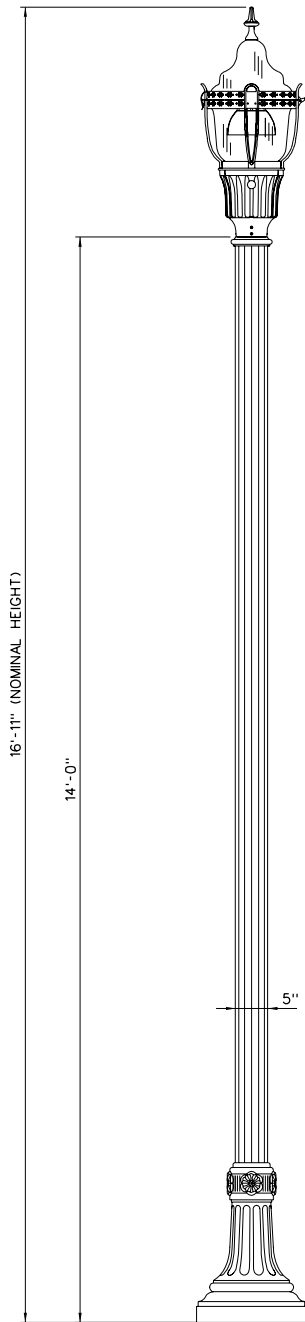


ESPLANADE STREET LIGHT

LINDON CITY
 100 NORTH STATE

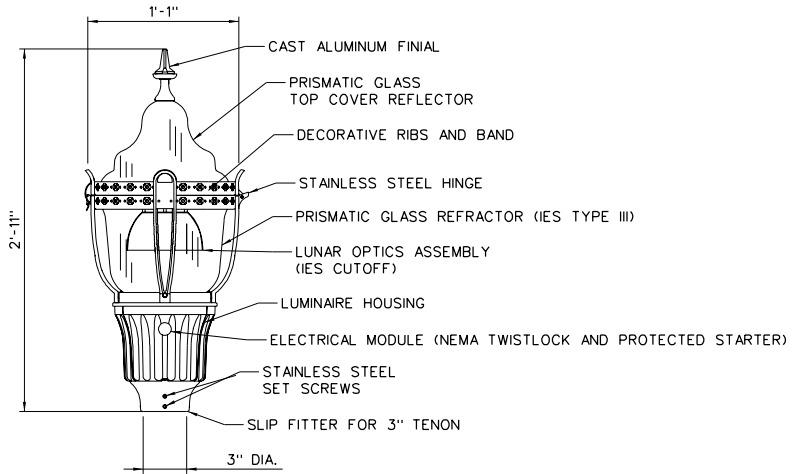
STANDARD DRAWING NUMBER: **23b**

CAD DWG: LC StdDwg.dgn	1:000
PLOT SCALE:	CJC
DRAWN BY:	M.C.
DESIGN BY:	M.C.
CHECKED BY:	M.C.
ADOPTED DATE:	4 SEP 08



GRANVILLE DETAIL

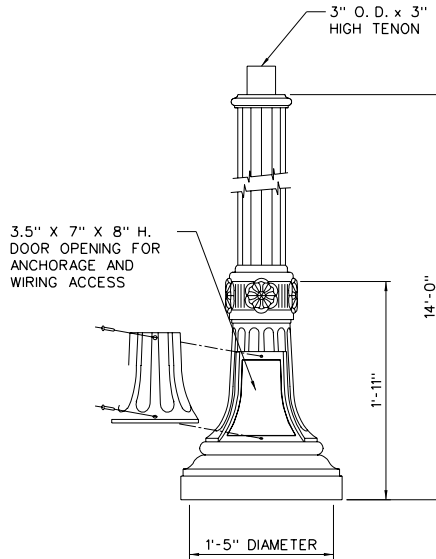
HOLOPHANE CATALOG • ZNY14F5/17-CA/BKH-
GVU100HPMAB7RSB T



LUMINAIRE DETAIL

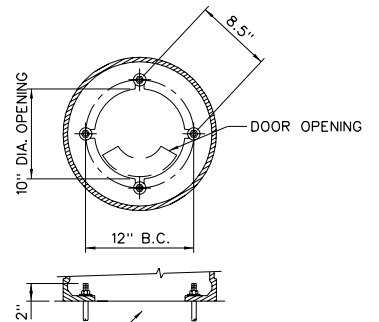
CATALOG • GVU100HPMAB7RSB T

NOTE: ACRYLIC REFRACTOR AND REFLECTORS MAY BE CONSIDERED IF THEIR PERFORMANCE IS EQUAL TO GLASS



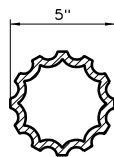
POST DETAIL

CATALOG • NY14F5/17-CA/BK



SEE CONCRETE OR SCREW FOUNDATION DETAILS ON STANDARD DRAWING #23d

ANCHORAGE DETAIL



5" DIA. FLUTED SHAFT CROSS SECTION

APPROVED EQUAL PARTS MAY BE SUBSTITUTED FOR THE HOLOPHANE PRODUCTS SPECIFIED ON THIS STANDARD DRAWING.



STATEMENT OF USE

THIS DOCUMENT AND ANY ILLUSTRATIONS HEREON ARE PROVIDED AS STANDARD CONSTRUCTION DETAILS WITHIN LINDON CITY. DEVIATION FROM THIS DOCUMENT REQUIRES APPROVAL OF LINDON CITY. LINDON CITY CORPORATION AND J-U-B ENGINEERS CAN NOT BE HELD LIABLE FOR MISUSE OR CHANGES REGARDING THIS DOCUMENT.

REVISION

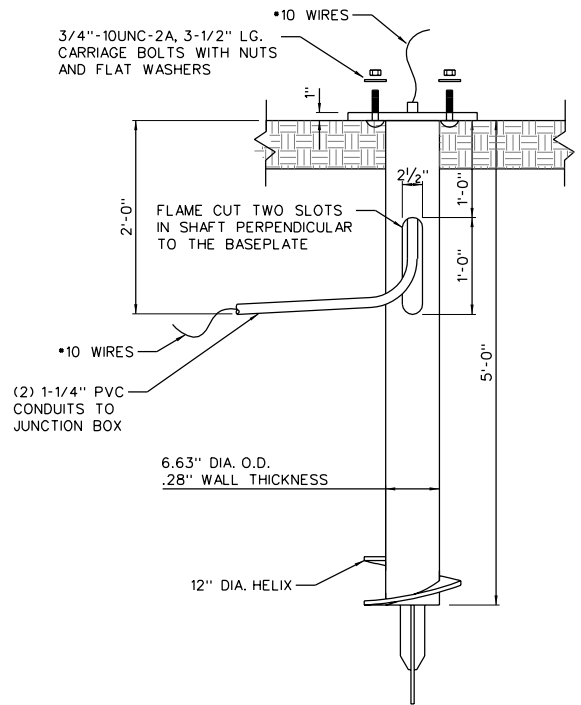
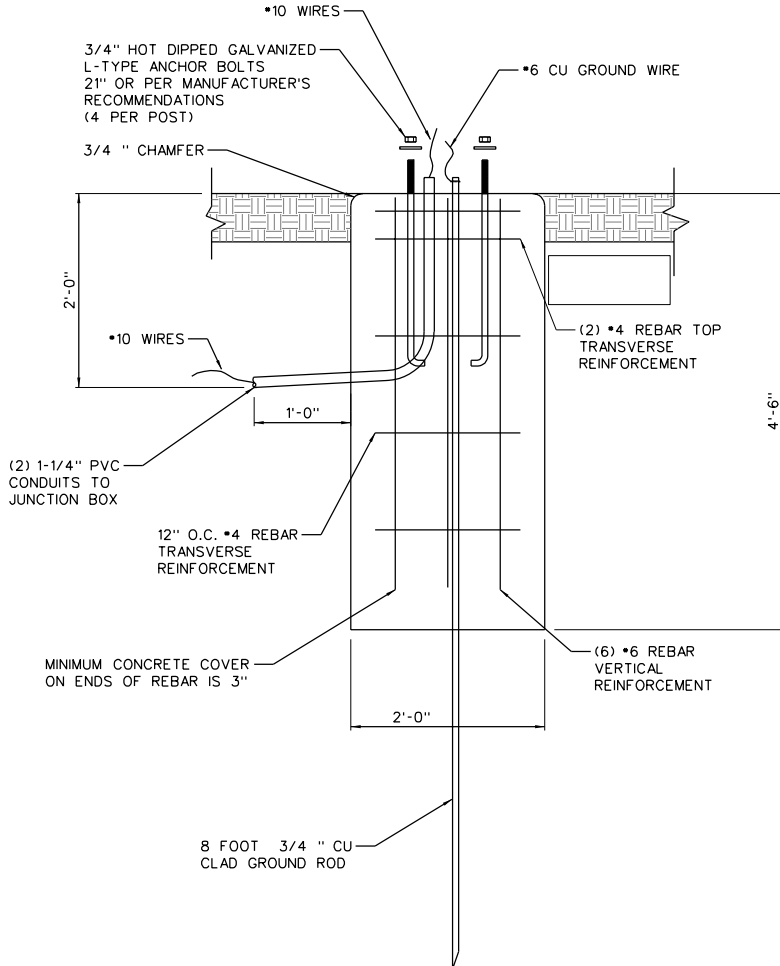
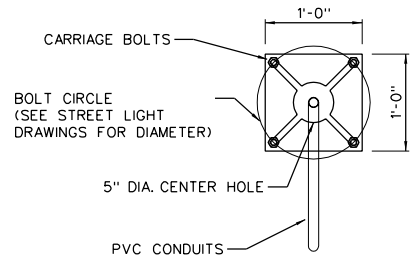
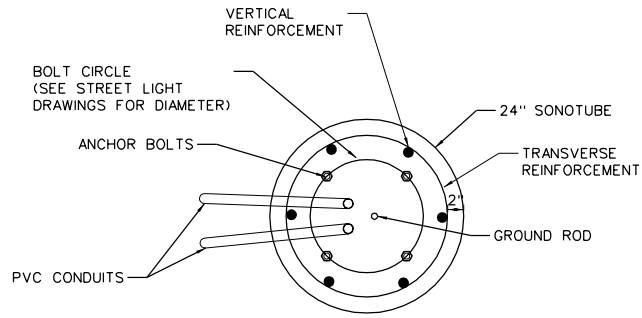
NO.	DESCRIPTION	BY	APPR.	DATE
1	ADJUST LUMINAIRE HEIGHT DIMENSION	M.C.	M.C.	10/08/10



GRANVILLE STREET LIGHT

LINDON CITY
100 NORTH STATE

STANDARD DRAWING NUMBER:	23c
CAD DWG: LC_StdDwg.dwg	
PLOT SCALE:	1:1000
DRAWN BY:	TRC
DESIGN BY:	M.C.
CHECKED BY:	M.C.
ADOPTED DATE:	01 FEB 11



NOTE:
GROUND PER MANUFACTURER'S RECOMMENDATIONS

SCREW FOUNDATION

A. B. CHANCE COMPANY
CATALOG NUMBER T112-0671
OR APPROVED EQUAL

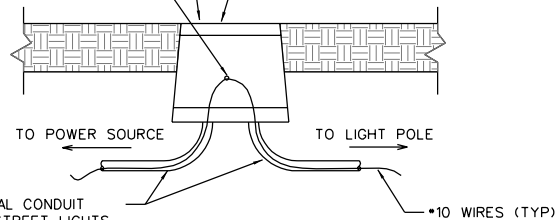
NOTE:
(1) GROUND ROD AND PLASTIC CONDUITS MUST BE LOCATED WITHIN A 3" RADIUS FROM THE CENTER OF BOLT CIRCLE.
(2) IN-LINE WATERTIGHT FUSE HOLDERS REQUIRED AT CONNECTION POINT IN BASE OF LIGHT. LITTLEFUSE •WPB1 OR EQUAL.

CONCRETE FOUNDATION

PLACE A JUNCTION BOX BETWEEN 4' AND 10' FROM THE POWER SOURCE AND NEAR THE BASE OF EACH POLE

FUSE MOLDED PLUG CONNECTORS, 10 AMP FOR EACH PHASE

HDPE CARSON JUNCTION BOX
BODY MODEL 1419-12 (GREEN)
COVER MODEL 1419-3B (FLUSH BOLT DOWN)
WITH PENTAGON HEAD BOLT
COVER LOGO "STREET LIGHTING" OF "ELECTRICAL"



1-1/4" PVC ELECTRICAL CONDUIT (TWO CONDUITS FOR STREET LIGHTS HAVING A POWER RECEPTACLE; ONE CONDUIT FOR STREET LIGHTS WITHOUT POWER RECEPTACLES)

JUNCTION BOX

FOUNDATIONS AND JUNCTION BOX FOR STREET LIGHTS

LINDON CITY
100 NORTH STATE

STANDARD DRAWING NUMBER: **23d**
CAD DWG: LC_StdDwg.dwg
PLOT SCALE: 1:1000
DRAWN BY: BTW
DESIGN BY: MLC
CHECKED BY: MLC
ADOPTED DATE: 01 FEB 11



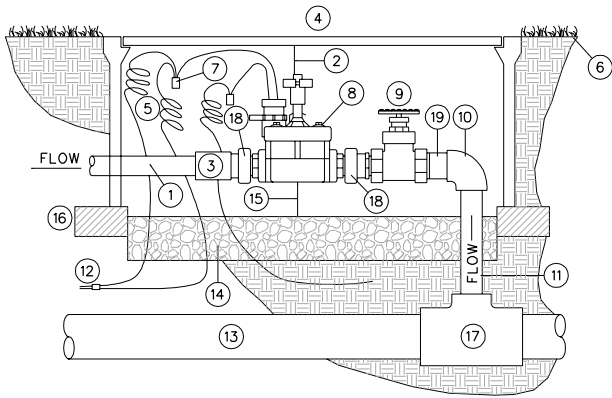
STATEMENT OF USE

THIS DOCUMENT AND ANY ILLUSTRATIONS HEREON ARE PROVIDED AS STANDARD CONSTRUCTION DETAILS WITHIN LINDON CITY. DEVIATION FROM THIS DOCUMENT REQUIRES APPROVAL OF LINDON CITY. LINDON CITY CORPORATION AND J-U-B ENGINEERS CAN NOT BE HELD LIABLE FOR MISUSE OR CHANGES REGARDING THIS DOCUMENT.

REVISION

NO.	DESCRIPTION	BY	APPR.	DATE
1	ADD JUNCTION BOX DETAIL AND RENUMBER DRAWING	MLC	MLC	01/09/09
2	CHANGED NOTES	SAC	MLC	08/28/09
3	INCREASED SCREW FOUNDATION PLATE THICKNESS	MLC	MLC	10/09/10



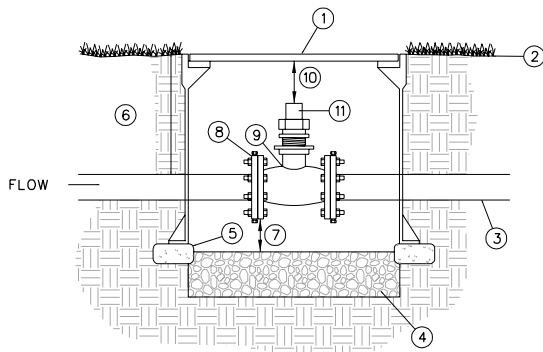


- ① PVC LATERAL LINE
- ② 3" MIN. 6" MAX. CLEARANCE
- ③ COUPLER SCH. 80 SLIP TO SLIP
- ④ VALVE BOX W/ BOLT LOCK (CARSON-BROOKS OR APPROVED EQUAL) SIZE AS PER VALVE SIZE: 1" VALVE = 18" STANDARD 1419 BOX 1/2"-2" VALVE = 18" JUMBO 1220 BOX
- ⑤ PROVIDE 24" EXPANSION LOOP AT EACH WIRE CONNECTOR IN BOX
- ⑥ FINISH GRADE
- ⑦ WATER TIGHT WIRE CONNECTORS (TYP)
- ⑧ VALVE - RAIN BIRD PESB VALVE
- ⑨ BRASS GATE VALVE (MUELLER, MATCO, NIBCO)
- ⑩ PVC SCH. 80 ELL
- ⑪ PVC SCH. 80 PIPE, SOLVENT WELDED, LENGTH AS REQUIRED
- ⑫ WIRES TO CONTROLLER, TAPE AND BUNDLE EVERY 10' - SEE TRENCH DETAIL
- ⑬ MAIN LINE
- ⑭ 4" MIN. DEPTH 3/4" WASHED GRAVEL
- ⑮ 4" MIN. CLEARANCE REQUIRED
- ⑯ CONCRETE PAVERS ONLY
- ⑰ PVC SCH. 80 TEE (OR ELL OR DUCTILE IRON SERVICE TEE)
- ⑱ ACTION UNIO - PART 18010-XX PART 18011-XX PART 18012-XX

NOTES:
 1. ONLY ONE VALVE PER BOX.
 2. PLACE BOXES A MINIMUM OF 2' APART.
 3. USE BOX EXTENSIONS AS REQUIRED.

CONTROL VALVE ASSEMBLY

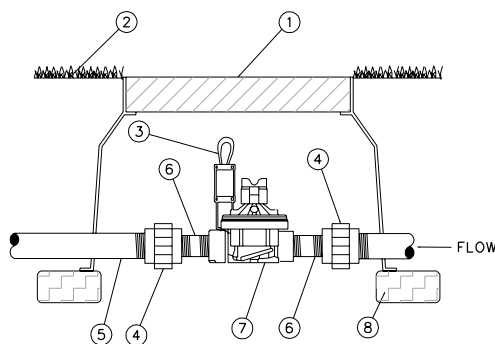
NTS



- ① 10" ROUND GREEN PLASTIC VALVE BOX W/ BOLT LOCK, CARSON-BROOKS OR EQUAL, MARKED "G.V." IN 2" WHITE LETTERS
- ② FINISH GRADE
- ③ PVC MAIN LINE
- ④ 4" MIN. DEPTH PEA GRAVEL
- ⑤ CONCRETE PAVERS ONLY
- ⑥ DEPTH - SEE NOTES
- ⑦ 5" MIN. CLEARANCE
- ⑧ PVC FLANGE ADAPTER (TYP.)
- ⑨ FLANGED GATE VALVE - SEE IRRIGATION EQUIPMENT SCHEDULE
- ⑩ 3" MIN. 6" MAX. CLEARANCE
- ⑪ HANDLE OR 2" SQUARE OPERATING NUT

GATE VALVE (FLANGED 3" AND LARGER)

NTS



- ① 18" JUMBO 1220 VALVE BOX W/ BOLT LOCK (CARSON-BROOKS OR APPROVED EQUAL)
- ② FINISH GRADE
- ③ WIRES TO SITE INTERFACE 18 GAUGE MIN. WIRE SIZE
- ④ ACTION UNION
- ⑤ PVC MAINLINE
- ⑥ SCH 80 NIPPLE
- ⑦ MASTER VALVE
- ⑧ CONCRETE PAVERS ONLY

MASTER VALVE ASSEMBLY

NTS



STATEMENT OF USE
 THIS DOCUMENT AND ANY ILLUSTRATIONS HEREON ARE PROVIDED AS STANDARD CONSTRUCTION DETAILS WITHIN LINDON CITY. DEVIATION FROM THIS DOCUMENT REQUIRES APPROVAL OF LINDON CITY, LINDON CITY CORPORATION AND J-U-B ENGINEERS CAN NOT BE HELD LIABLE FOR MISUSE OR CHANGES REGARDING THIS DOCUMENT.

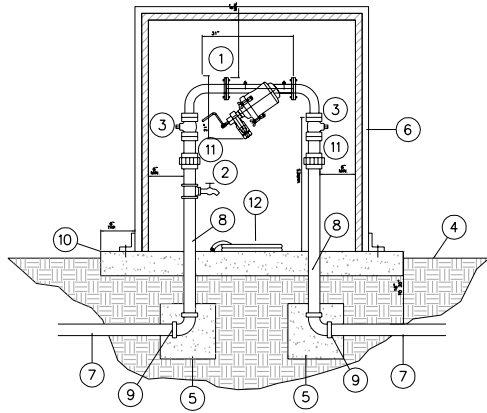
REVISION			
NO.	DESCRIPTION	BY	APPR. DATE



IRRIGATION VALVE DETAILS

LINDON CITY
 100 NORTH STATE

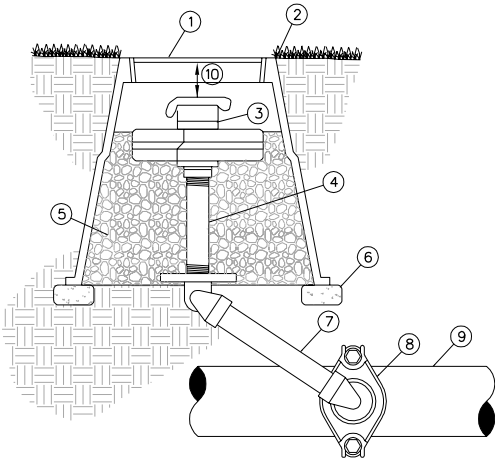
STANDARD DRAWING NUMBER: **24a**
 CAD DWG: LC_StdDwg.dwg
 PLOT SCALE: 1:300
 DRAWN BY: CJC
 DESIGN BY: MLC
 CHECKED BY: MLC
 ADOPTED DATE: 01 FEB 11



- ① INLINE FILTER - SEE IRRIGATION EQUIPMENT SCHEDULE
- ② 3/4" BRASS HOSE BIB (W/ SADDLE OR TEE)
- ③ FL WAFER BUTTERFLY VALVE 4" AND LARGER FULL PORT APOLLO BALL VALVE 3" AND SMALLER
- ④ FINISH GRADE
- ⑤ CONCRETE THRUST BLOCKS (TYP). WRAP PIPES W/ 10 MIL TAPE. CAST AGAINST UNDISTURBED SOIL
- ⑥ FILTER ENCLOSURE - SEE IRRIGATION EQUIPMENT SCHEDULE (INSTALL PER MANUFACTURER'S SPECIFICATIONS)
- ⑦ MAIN LINE - SEE IRRIGATION SCHEDULE FOR SIZE AND MATERIAL
- ⑧ FLxPE, SPOOL LENGTH AS REQUIRED (TYP 4" AND LARGER) BRASS NIPPLE LENGTH AS REQUIRED (TYP 3" AND SMALLER)
- ⑨ ELBOW AND FLANGE ADAPTER AS NEEDED
- ⑩ 4" THICK CONCRETE PAD (SIZE AS REQUIRED)
- ⑪ ACTION UNION (ON NON FLANGED PIPE)
- ⑫ 20' LENGTH OF RUBBER HOSE FOR DRAINING

MANUAL STEEL FILTER ASSEMBLY

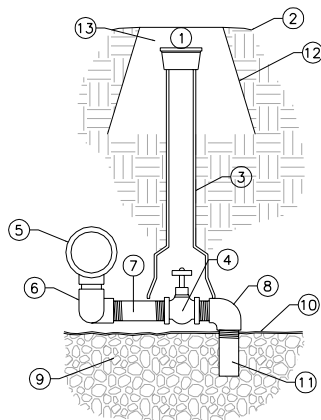
NTS



- ① 10" ROUND GREEN PLASTIC VALVE BOX W/ BOLT LOCK, CARSON-BROOKS 910 OR EQUAL
- ② FLUSH WITH GRADE
- ③ QUICK COUPLING VALVE - SEE EQUIPMENT SCHEDULE
- ④ BRASS NIPPLE, LENGTH AS REQUIRED
- ⑤ CLEAN PEA GRAVEL
- ⑥ CONCRETE PAVERS ONLY
- ⑦ 12" LASCO UNITIZED SWING JOINT W/ BRASS INSERT STABILIZER ELBOW, OR 12" SPEARS SWING JOINT RISER ASSEMBLY W/ BRASS FEMALE THREAD 90° ELL OUTLET
- ⑧ 3" AND LARGER, DUCTILE IRON SERVICE SADDLE W/ S.S. STRAP (SIDE MOUNTED, SIZE AS REQUIRED) 2 1/2" AND SMALLER, USE PVC SCH 80 TEE AND 90° (SIDE MOUNTED, SIZE AS REQUIRED)
- ⑨ PVC MAIN LINE
- ⑩ 3" MIN. 6" MAX. CLEARANCE

QUICK COUPLING VALVE ASSEMBLY

NTS



- ① ADJUSTABLE CURB BOX W/ BOLT LID. CARSON-BROOKS 250 OR EQUAL
- ② FINISH GRADE
- ③ ADJUST HEIGHT AS REQUIRED
- ④ 3/4" VALVE (SEE IRRIGATION EQUIP. SHC.)
- ⑤ PVC MAINLINE & SERVICE TEE
- ⑥ (2)-1/2"x1/2" 90° ELL (2)-3/4" x CLOSE PVC NIPPLE
- ⑦ 3/4"x12" PVC SCH 80 NIPPLE
- ⑧ 3/4" 90° STREET ELL
- ⑨ 3/4" ROCK SUMP - 6 C.F. MIN. SIZE
- ⑩ FILTER FABRIC COVERING SUMP
- ⑪ 3/4" x 6" PVC SCH 80 TOE NIPPLE
- ⑫ 10" ROUND GREEN PLASTIC VALVE BOX, CARSON-BROOKS 910 OR EQUAL AT TOP OF GRADE
- ⑬ 3" TO 6" CLEAR SPACE

MANUAL DRAIN VALVE

NTS



STATEMENT OF USE
THIS DOCUMENT AND ANY ILLUSTRATIONS HEREON ARE PROVIDED AS STANDARD CONSTRUCTION DETAILS WITHIN LINDON CITY. DEVIATION FROM THIS DOCUMENT REQUIRES APPROVAL OF LINDON CITY, LINDON CITY CORPORATION AND J-U-B ENGINEERS CAN NOT BE HELD LIABLE FOR MISUSE OR CHANGES REGARDING THIS DOCUMENT.

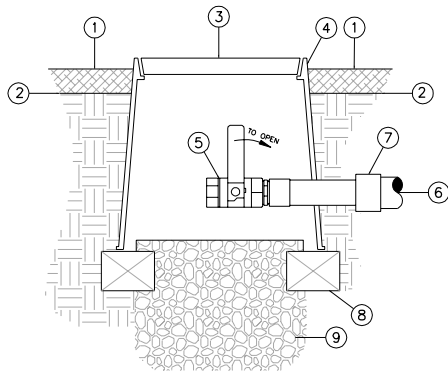
REVISION			
NO.	DESCRIPTION	BY	APPR. DATE



IRRIGATION FILTER AND VALVE DETAILS

LINDON CITY
100 NORTH STATE

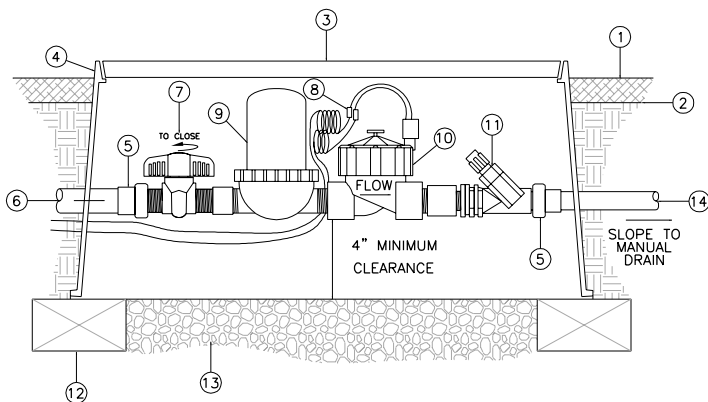
STANDARD DRAWING NUMBER: **24b**
CAD DWG: LC_StdDwg.dwg
PLOT SCALE: 1:500
DRAWN BY: CJC
CHECKED BY: MLC
ADOPTED DATE: 01 FEB 11



- ① PLANTING BED MULCH, SEE PLANTING NOTES FOR DEPTH
- ② FINISH GRADE
- ③ PLASTIC VALVE BOX CARSON-BROOKS 809 OR EQUAL FLUSH WITH GRADE
- ④ 1" MAX. DEPTH
- ⑤ BALL VALVE
- ⑥ PVC EXHAUST HEADER
- ⑦ PVC REDUCER ADAPER (S X 1/2") FPT (SIZE AS REQ'D)
- ⑧ CONCRETE PAVERS ONLY
- ⑨ 1 C.F. WASHED PEA GRAVEL

DRIP FLUSH VALVE (PLUMBED TO PVC)

NTS



- ① PLANTING BED MULCH, SEE PLANTING NOTES FOR DEPTH
- ② FINISH GRADE
- ③ CARSON-BROOKS 1220 18" JUMBO SERIES VALVE BOX
- ④ 1" MAX. DEPTH
- ⑤ ACTION UNION - PART 18010-XX PART 18011-XX PART 18012-XX
- ⑥ FLOW FROM MAIN LINE
- ⑦ PLASTIC BALL VALVE
- ⑧ WATERPROOF CONNECTORS
- ⑨ INLINE 1" FILTER
- ⑩ REMOTE CONTROL VALVE
- ⑪ INLINE PRESSURE REGULATOR
- ⑫ CONCRETE PAVERS ONLY
- ⑬ 4" MIN. DEPTH WASHED PEA GRAVEL
- ⑭ PVC SUPPLY HEADER

DRIP ZONE REMOTE CONTROL VALVE

NTS



STATEMENT OF USE
THIS DOCUMENT AND ANY ILLUSTRATIONS HEREON ARE PROVIDED AS STANDARD CONSTRUCTION DETAILS WITHIN LINDON CITY. DEVIATION FROM THIS DOCUMENT REQUIRES APPROVAL OF LINDON CITY, LINDON CITY CORPORATION AND J-U-B ENGINEERS CAN NOT BE HELD LIABLE FOR MISUSE OR CHANGES REGARDING THIS DOCUMENT.

REVISION

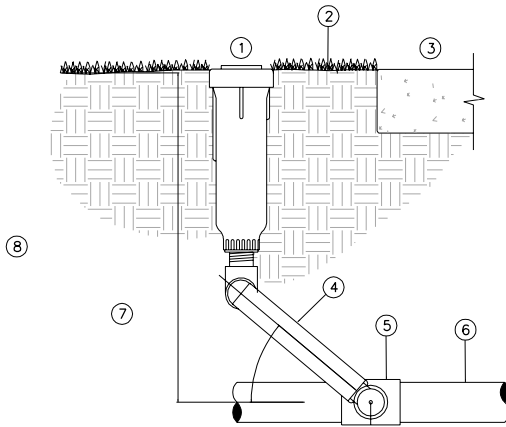
NO.	DESCRIPTION	BY	APPR.	DATE



IRRIGATION DRIP SYSTEM VALVE DETAILS

LINDON CITY
100 NORTH STATE

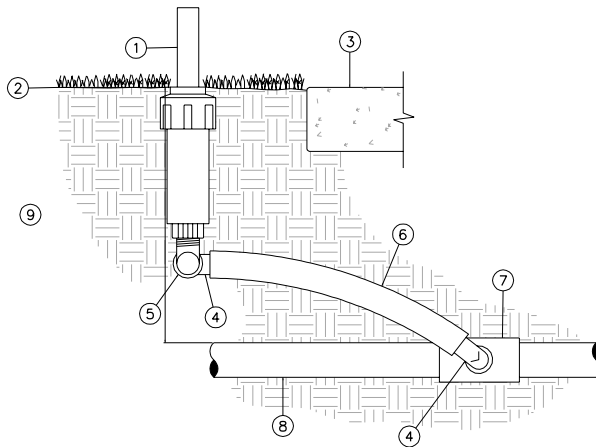
STANDARD DRAWING NUMBER: **24c**
 CAD DWG: LC_StdDwg.dwg
 PLOT SCALE: 1:1000
 DRAWN BY: CJC
 DESIGN BY: MLC
 CHECKED BY: MLC
 ADOPTED DATE: 01 FEB 11



- ① POP-UP ROTOR SPRINKLER - SEE LEGEND
- ② TOP OF SPRINKLER WILL BE FLUSH WITH GRADE
- ③ NOTE: ALL SPRAY HEADS TO BE PLACED 2" CLEAR OF ALL HARDSCAPE SURFACES
- ④ LASCO UNITIZED SWING JOINT OR SPEARS SWING JOINT RISER ASSEMBLY; 8" LENGTH; SIZE AS REQUIRED
- ⑤ PVC SCH 40 SxSxT TEE OR (ELL)
- ⑥ PVC ALTERAL LINE, SIZE AS NOTED ON PLAN
- ⑦ SWING JOINT ARM INSTALLED AT ANGLE BETWEEN 30 AND 45 DEG. OF LATERAL PIPE
- ⑧ DEPTH - SEE NOTES & TRENCH DETAIL

POP-UP GEAR DRIVE ROTOR SPRINKLER

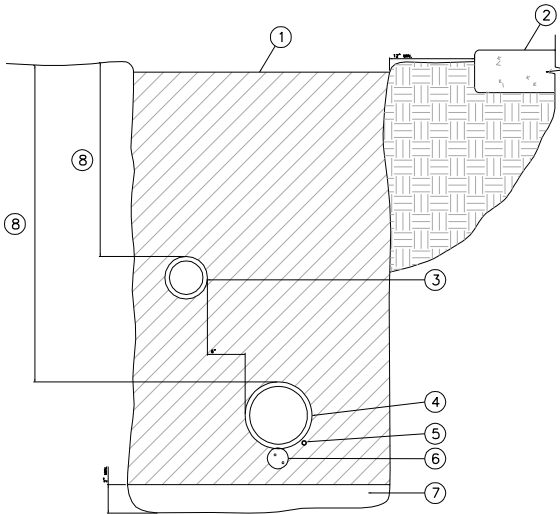
NTS



- ① POP-UP SPRAY HEAD - SEE IRRIGATION EQUIPMENT SCHEDULE
- ② TOP OF SPRINKLER WILL BE FLUSH WITH GRADE
- ③ NOTE: ALL SPRAY HEADS TO BE PLACED 2" CLEAR OF ALL HARDSCAPE SURFACES
- ④ SWING PIPE ELL WITH SPIRAL BARB FITTING (TYP.)
- ⑤ MARLEX STREET ELL
- ⑥ FLEXIBLE SWING PIPE, 12" MIN. LENGTH
- ⑦ PVC SCH 40 SxSxT TEE (OR ELL)
- ⑧ PVC LATERAL LINE, SIZE AS NOTED ON PLAN
- ⑨ DEPTH - SEE TRENCH DETAIL & SPECIFICATIONS

POP-UP SPRAY/ROTARY SPRINKLER

NTS



- ① BACKFILL MATERIAL - SEE NOTES, COMPACT TO 90% MIN.
- ② ADJACENT HARD SURFACE
- ③ NON-PRESSURE LATERAL LINE
- ④ PRESSURE MAIN LINE
- ⑤ MAIN LINE TONER WIRE. BURIED WITH ALL MAINLINES
- ⑥ DIRECT BURIAL, LOW VOLTAGE CONTROL WIRES: TO BE BURIED AND TAPED AT 10' INCREMENTS. LOCATE DIRECTLY ADJACENT TO MAIN LINE (NOT UNDER AS SHOWN).
- ⑦ BEDDING MATERIAL - SEE NOTES
- ⑧ PIPE DEPTHS - SEE NOTES

NOTE:
SEE SLEEVING DETAIL FOR TRENCHING IN PAVED AREAS.

TRENCH DETAIL

NTS



STATEMENT OF USE
THIS DOCUMENT AND ANY ILLUSTRATIONS HEREON ARE PROVIDED AS STANDARD CONSTRUCTION DETAILS WITHIN LINDON CITY. DEVIATION FROM THIS DOCUMENT REQUIRES APPROVAL OF LINDON CITY, LINDON CITY CORPORATION AND J-U-B ENGINEERS CAN NOT BE HELD LIABLE FOR MISUSE OR CHANGES REGARDING THIS DOCUMENT.

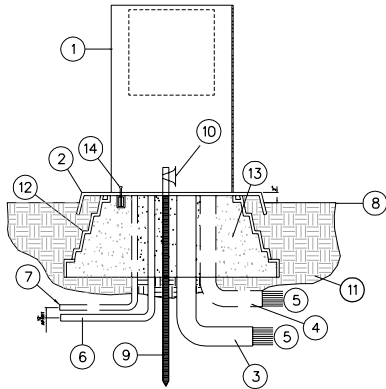
REVISION			
NO.	DESCRIPTION	BY	APPR. DATE



IRRIGATION HEAD AND TRENCH DETAILS

LINDON CITY
100 NORTH STATE

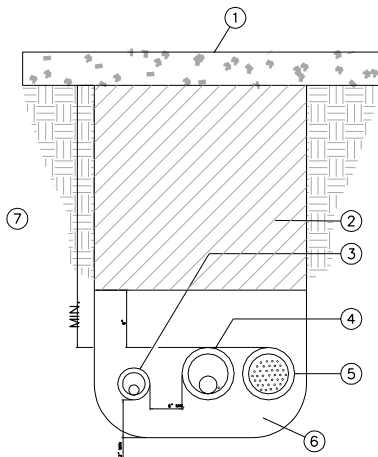
STANDARD DRAWING NUMBER: **24d**
 CAD DWG: LC_StdDwg.dwg
 PLOT SCALE: 1:1000
 DRAWN BY: CJC
 DESIGN BY: MLC
 CHECKED BY: MLC
 ADOPTED DATE: 01 FEB 11



- ① SB-18SS, STRONG BOX 18" PEDESTAL CONTROLLER ENCLOSURE.
- ② QP-18, QUICKPAD 3/16" MIN. THICKNESS ALUMINUM POWDER COATED PREFORMED PAD
- ③ PVC SWEEP ELL STATIONS 1-24
- ④ PVC SWEEP ELL STATIONS 25-48 (IF APPLICABLE)
- ⑤ DIRECT BURIAL CONTROL WIRES TO CONTROL VALVES
- ⑥ 110-VOLT SERVICE IN CONDUIT
- ⑦ EV-CAB-COM CABLE 1" CONDUIT (IF APPLICABLE)
- ⑧ FINISH GRADE
- ⑨ 5/8"x8" COPPER GROUND ROD
- ⑩ BRONZE GROUND CLAMP
- ⑪ SUBGRADE COMPACTED TO 90%
- ⑫ QP-18, STRONG BOX QUICKPAD, MOUNTING BASE
- ⑬ FILL INSIDE BASE WITH 3/4" PEA GRAVEL
- ⑭ QUICKPAD FASTENING BRACKET (2)

CONTROLLER & ENCLOSURE

NTS



- ① HARDSCAPE SURFACE - SEE CIVIL PLANS
- ② BACKFILL MATERIAL - SEE NOTES
- ③ LATERAL LINE WITH SLEEVE
- ④ PRESSURE MAIN LINE AND TONER WIRE WITH SLEEVE
- ⑤ CONTROL WIRE SLEEVE (SAME SIZE AS MAINLINE SLEEVE)
- ⑥ BEDDING MATERIAL - SEE NOTES
- ⑦ MINIMUM COVER:
12" UNDER WALKS
18" UNDER STREETS

NOTES:
 1) SLEEVES 4" AND SMALLER USE PVC SCH. 40 PIPE.
 2) SLEEVES >4" USE PVC SCH. 40 PIPE.
 3) ALL SLEEVES SHALL BE TWO (2) TIMES LARGER THAN DIAMETER OF PIPE TO BE SLEEVED.
 4) INSTALL SLEEVES AT A DEPTH TO AVOID CONFLICT WITH OTHER UTILITIES AND MAINS.

SLEEVE DETAIL

NTS



STATEMENT OF USE
 THIS DOCUMENT AND ANY ILLUSTRATIONS HEREON ARE PROVIDED AS STANDARD CONSTRUCTION DETAILS WITHIN LINDON CITY. DEVIATION FROM THIS DOCUMENT REQUIRES APPROVAL OF LINDON CITY, LINDON CITY CORPORATION AND J-U-B ENGINEERS CAN NOT BE HELD LIABLE FOR MISUSE OR CHANGES REGARDING THIS DOCUMENT.

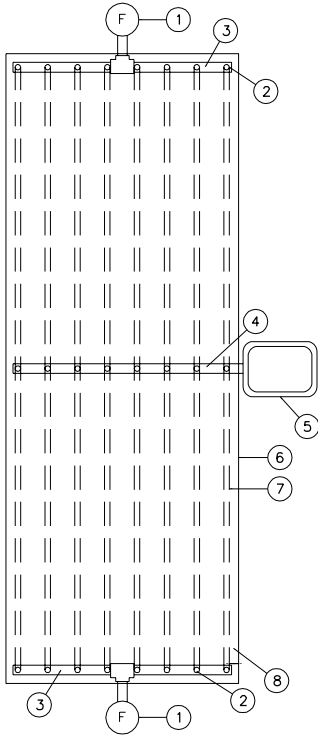


IRRIGATION DETAILS

LINDON CITY
100 NORTH STATE

STANDARD DRAWING NUMBER: **24e**
 CAD DWG: LC_Sle04e.dwg
 PLOT SCALE: 1:500
 DRAWN BY: CJC
 DESIGN BY: MLC
 CHECKED BY: MLC
 ADOPTED DATE: 01 FEB 11

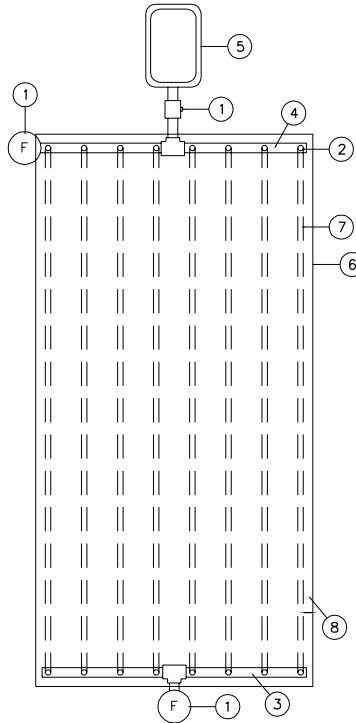
REVISION			
NO.	DESCRIPTION	BY	APPR. DATE



- ① MANUAL FLUSH VALVE
PLUMBED TO PVC IN LOWEST
POINT
- ② 1 1/2" PVC EXHAUST HEADER
- ③ TLIAPVC CONNECTOR
- ④ 1 1/2" PVC SUPPLY HEADER
- ⑤ REMOTE CONTROL VALVE
ASSEMBLY
- ⑥ AREA PERIMETER
- ⑦ DRIPLINE TUBING LATERAL
- ⑧ PERIMETER DRIPLINE TUBING
LATERALS 2" TO 4" FROM EDGE

CENTER FEED DRIP LAYOUT

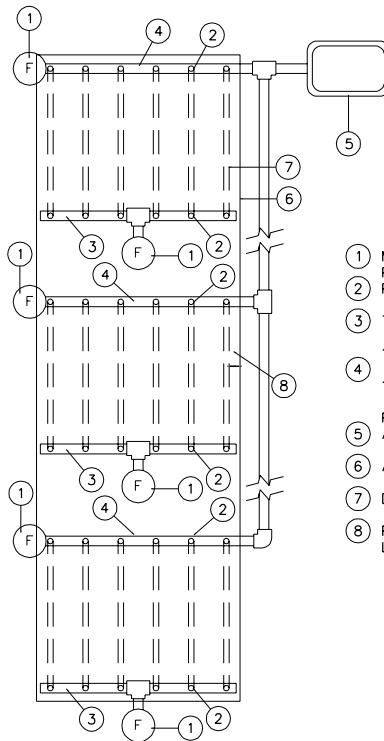
NTS



- ① MANUAL FLUSH VALVE
PLUMBED TO PVC IN LOWEST
POINT
- ② 1 1/2" PVC EXHAUST HEADER
- ③ TLIAPVC CONNECTOR
- ④ 1 1/2" PVC SUPPLY HEADER
- ⑤ REMOTE CONTROL VALVE
ASSEMBLY
- ⑥ AREA PERIMETER
- ⑦ DRIPLINE TUBING LATERAL
- ⑧ PERIMETER DRIPLINE TUBING
LATERALS 2" TO 4" FROM EDGE

END FEED DRIP LAYOUT

NTS



- ① MANUAL FLUSH VALVE
PLUMBED TO PVC IN LOWEST
POINT
- ② 1 1/2" PVC EXHAUST HEADER
- ③ TLIAPVC CONNECTOR
- ④ 1 1/2" PVC SUPPLY HEADER
- ⑤ REMOTE CONTROL VALVE
ASSEMBLY
- ⑥ AREA PERIMETER
- ⑦ DRIPLINE TUBING LATERAL
- ⑧ PERIMETER DRIPLINE TUBING
LATERALS 2" TO 4" FROM EDGE

ISLAND DRIP LAYOUT

NTS



STATEMENT OF USE
THIS DOCUMENT AND ANY ILLUSTRATIONS HEREON ARE PROVIDED AS STANDARD CONSTRUCTION DETAILS WITHIN LINDON CITY. DEVIATION FROM THIS DOCUMENT REQUIRES APPROVAL OF LINDON CITY, LINDON CITY CORPORATION AND J-U-B ENGINEERS CAN NOT BE HELD LIABLE FOR MISUSE OR CHANGES REGARDING THIS DOCUMENT.

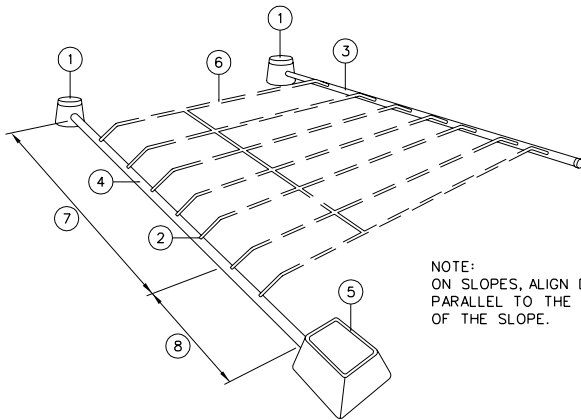
REVISION			
NO.	DESCRIPTION	BY	APPR. DATE



**IRRIGATION
DRIP LAYOUT (1 OF 2)**

LINDON CITY
100 NORTH STATE

STANDARD DRAWING NUMBER: **24f**
 CAD DWG: LC_StdDwg.dwg
 PLOT SCALE: 1:1000
 DRAWN BY: CJC
 DESIGN BY: MLC
 CHECKED BY: MLC
 ADOPTED DATE: 01 FEB 11

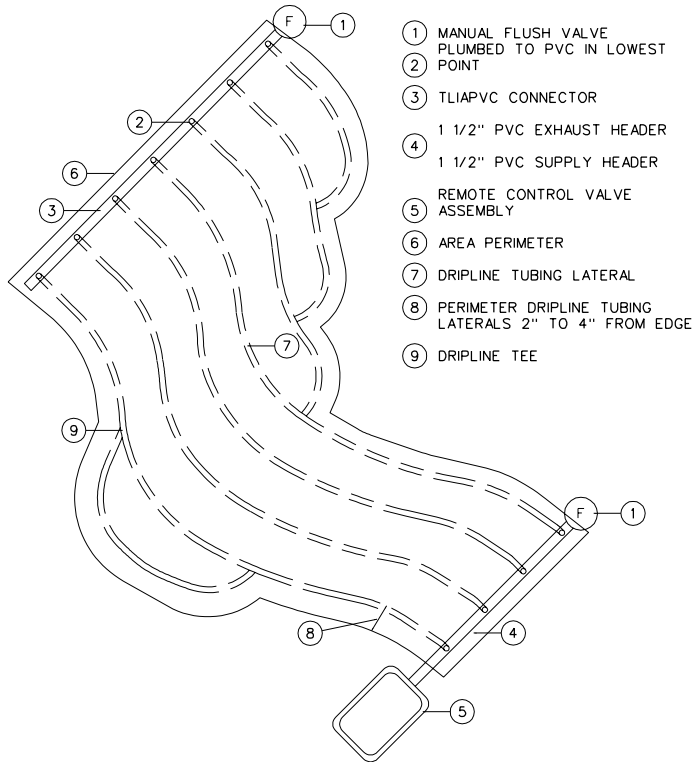


NOTE:
ON SLOPES, ALIGN DRIPLINE
PARALLEL TO THE CONTOURS
OF THE SLOPE.

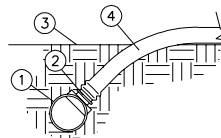
- ① MANUAL FLUSH VALVE
PLUMBED TO PVC IN LOWEST
POINT
- ② TLIAPVC CONNECTOR
- ③ 1 1/2" PVC EXHAUST HEADER
(SEE NOTES FOR DEPTH)
- ④ 1 1/2" PVC SUPPLY HEADER (SEE
NOTES FOR DEPTH)
- ⑤ REMOTE CONTROL VALVE
ASSEMBLY
- ⑥ DRIPLINE TUBING LATERAL -
INSTALL AT GRADE UNDER
MULCH
- ⑦ ON SLOPES, USE THE
SPECIFIED DRIPLINE SPACING
ON THE TOP 2/3 OF THE SLOPE
- ⑧ ON SLOPES, USE THE
SPECIFIED DRIPLINE SPACING
PLUS 25% ON THE BOTTOM 1/3
OF SLOPE

DRIPLINE CIRCUIT LAYOUT

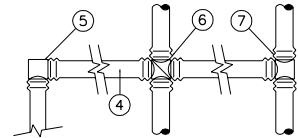
NTS



- ① MANUAL FLUSH VALVE
PLUMBED TO PVC IN LOWEST
POINT
- ② TLIAPVC CONNECTOR
- ③ 1 1/2" PVC EXHAUST HEADER
- ④ 1 1/2" PVC SUPPLY HEADER
- ⑤ REMOTE CONTROL VALVE
ASSEMBLY
- ⑥ AREA PERIMETER
- ⑦ DRIPLINE TUBING LATERAL
- ⑧ PERIMETER DRIPLINE TUBING
LATERALS 2" TO 4" FROM EDGE
- ⑨ DRIPLINE TEE



SECTION VIEW



PLAN VIEW

- ① 1 1/2" PVC HEADER
- ② TLIAPVC CONNECTION
- ③ PLANTING BED FINISHED GRADE
- ④ DRIPLINE/BLANK TUBING
- ⑤ ELBOW
- ⑥ CROSS
- ⑦ TEE

DRIPLINE CONNECTIONS

NTS

IRREGULAR AREAS & CURVES

NTS



STATEMENT OF USE
THIS DOCUMENT AND ANY ILLUSTRATIONS HEREON ARE PROVIDED AS STANDARD CONSTRUCTION DETAILS WITHIN
LINDON CITY. DEVIATION FROM THIS DOCUMENT REQUIRES APPROVAL OF LINDON CITY, LINDON CITY CORPORATION
AND J-U-B ENGINEERS CAN NOT BE HELD LIABLE FOR MISUSE OR CHANGES REGARDING THIS DOCUMENT.

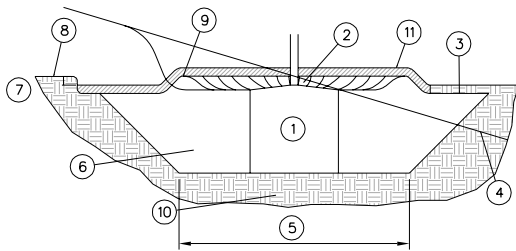


IRRIGATION DRIP LAYOUT (2 OF 2)

LINDON CITY
100 NORTH STATE

STANDARD
DRAWING
NUMBER: **24g**
CAD DWG: LC_StdDwg.dgn
PLOT SCALE: 1:1000
DRAWN BY: CJC
DESIGN BY: MLC
CHECKED BY: MLC
ADOPTED DATE: 01 FEB 11

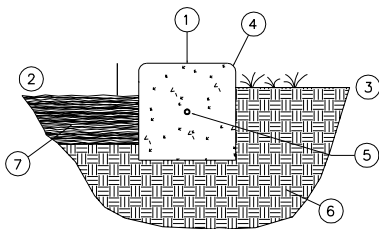
REVISION			
NO.	DESCRIPTION	BY	DATE



- ① ROOTBALL
- ② CROWN - 1"-2" ABOVE FINISH GRADE
- ③ FINISH GRADE
- ④ FINISH GRADE AT SLOPE (WHERE OCCURS)
- ⑤ 2x ROOTBALL DIA. MIN. W/ 45° SIDES
- ⑥ BACKFILL MIX
- ⑦ 2"
- ⑧ TOP OF PAVING (WHERE APPLICABLE)
- ⑨ 3" HIGH WATERING BASIN
- ⑩ UNDISTURBED SOIL
- ⑪ 3" LAYER SHREDDED BARK MULCH AROUND EACH TREE IN 3' RADIUS CIRCLE (WHEN IN TURF)

TREE/SHRUB PLANTING DETAIL

NTS



- ① 6" X 6" CONCRETE MOW STRIP (MIN. 2000 PSI AT 28 DAYS)
- ② FINISH GRADE AT 2" FOR GROUNDCOVER AREAS
- ③ FINISH GRADE FOR LAWN AREAS: 1" FOR SEED; 1-1/2" FOR SOD
- ④ 1/2" RADIUS TROWELED EDGES (TYP.)
- ⑤ #3 REBAR CONT. (LAP 12" AT SPLICES)
- ⑥ UNDISTURBED OR 90% COMPACTED SUBGRADE
- ⑦ 3" LAYER SHREDDED BARK MULCH IN PLANTER BEDS

NOTE:
 PROVIDE CONSTRUCTION OR CONTROL JOINTS AT 5' O.C. MAX. AND EXPANSION JOINTS WHERE MOWSTRIP ABUTS ANY MASONRY TYPE IMPROVEMENT.

6" CONCRETE MOWSTRIP

NTS



STATEMENT OF USE

THIS DOCUMENT AND ANY ILLUSTRATIONS HEREON ARE PROVIDED AS STANDARD CONSTRUCTION DETAILS WITHIN LINDON CITY. DEVIATION FROM THIS DOCUMENT REQUIRES APPROVAL OF LINDON CITY, LINDON CITY CORPORATION AND J-U-B ENGINEERS CAN NOT BE HELD LIABLE FOR MISUSE OR CHANGES REGARDING THIS DOCUMENT.

REVISION

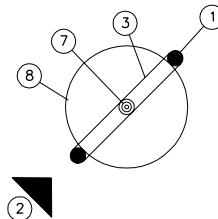
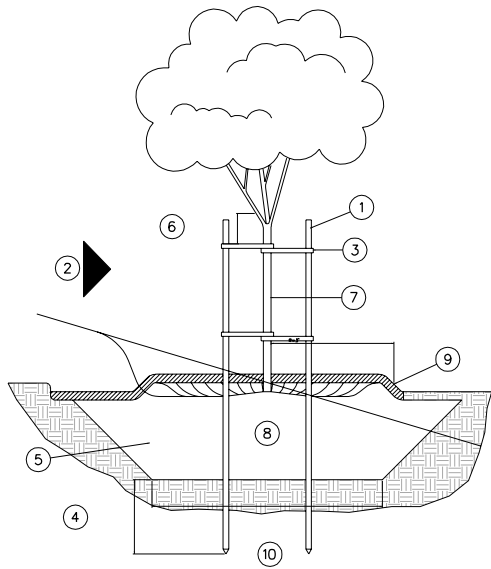
NO.	DESCRIPTION	BY	APPR.	DATE



PLANTING PLANTING AND MOWSTRIP DETAILS

LINDON CITY
 100 NORTH STATE

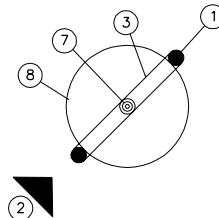
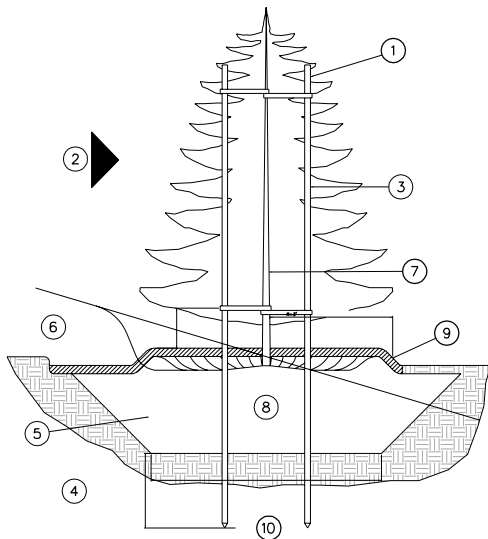
STANDARD DRAWING NUMBER: **24h**
 CAD DWG: LC_StdDwg.dwg
 PLOT SCALE: 1:1000
 DRAWN BY: CJC
 DESIGN BY: MLC
 CHECKED BY: MLC
 ADOPTED DATE: 01 FEB 11



- ① 2" DIA.x8' STRAIGHT WOODEN STAKE (2 REQUIRED)
- ② PREVAILING WIND DIRECTION
- ③ V.I.T. CINCH-TIE VINYL TREE TIE (2 PER STAKE, LENGTH AS REQUIRED). SECURE TO STAKE W/ GALV. NAIL, 1 PER TIE
- ④ 24" MIN.
- ⑤ SEE TREE/SHRUB PLANTING DETAIL
- ⑥ 6" MAX.
- ⑦ TREE TRUNK
- ⑧ ROOTBALL
- ⑨ 3" LAYER SHREDDED BARK MULCH AROUND EACH TREE IN 3' RADIUS CIRCLE (WHEN IN TURF)
- ⑩ 2x ROOTBALL DIA. MIN. W/ 45° SIDES

DOUBLE TREE STAKING

NTS



- ① 2" DIA.x8' STRAIGHT WOODEN STAKE (2 REQUIRED)
- ② PREVAILING WIND DIRECTION
- ③ V.I.T. CINCH-TIE VINYL TREE TIE (2 PER STAKE, LENGTH AS REQUIRED). SECURE TO STAKE W/ GALV. NAIL, 1 PER TIE
- ④ 24" MIN.
- ⑤ SEE TREE/SHRUB PLANTING DETAIL
- ⑥ 6" MAX.
- ⑦ TREE TRUNK
- ⑧ ROOTBALL
- ⑨ 3" LAYER SHREDDED BARK MULCH AROUND EACH TREE IN 3' RADIUS CIRCLE (WHEN IN TURF)
- ⑩ 2x ROOTBALL DIA. MIN. W/ 45° SIDES

EVERGREEN TREE STAKING

NTS



STATEMENT OF USE
THIS DOCUMENT AND ANY ILLUSTRATIONS HEREON ARE PROVIDED AS STANDARD CONSTRUCTION DETAILS WITHIN LINDON CITY. DEVIATION FROM THIS DOCUMENT REQUIRES APPROVAL OF LINDON CITY, LINDON CITY CORPORATION AND J-U-B ENGINEERS CAN NOT BE HELD LIABLE FOR MISUSE OR CHANGES REGARDING THIS DOCUMENT.

REVISION



PLANTING TREE STAKING DETAILS

LINDON CITY
100 NORTH STATE

STANDARD DRAWING NUMBER: **24i**
 CAD DWG: LC_StdDwg.dwg
 PLOT SCALE: 1:1000
 DRAWN BY: CJC
 DESIGN BY: MLC
 CHECKED BY: MLC
 ADOPTED DATE: 01 FEB 11

NO.	DESCRIPTION	BY	APPR.	DATE