

APPROVED

BOX ELDER COUNTY ROAD, STORM DRAIN, AND FENCING STANDARD DRAWINGS

SUBMITTED & RECOMMENDED

Kent L. Jones 3/22/10
KENT L. JONES, P.E. DATE
BOX ELDER COUNTY ENGINEER

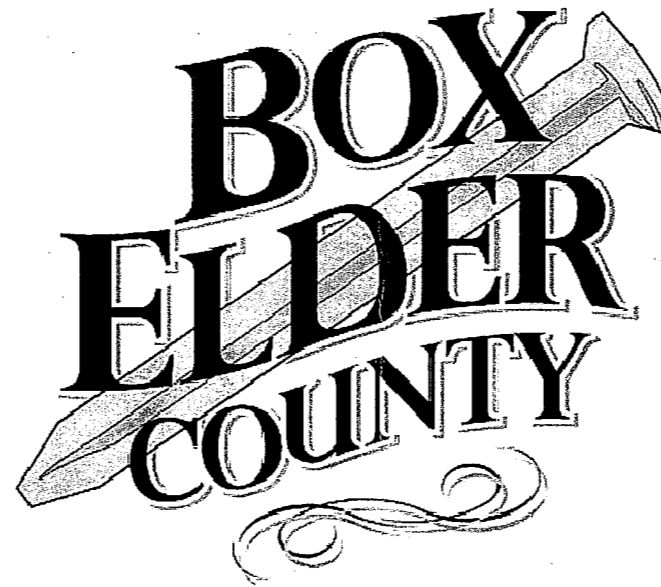
APPROVAL

Rich Vandyk 3/23/10
BOX ELDER COUNTY COMMISSION DATE

Bill Gilson 3/23/10
BILL GILSON DATE
BOX ELDER COUNTY ROAD DEPARTMENT

Kevin Hamilton 3/22/10
KEVIN HAMILTON DATE
BOX ELDER COUNTY
COMMUNITY DEVELOPMENT DIRECTOR

LuAnn Adams 3/25/10
ATTEST, COUNTY RECORDER DATE



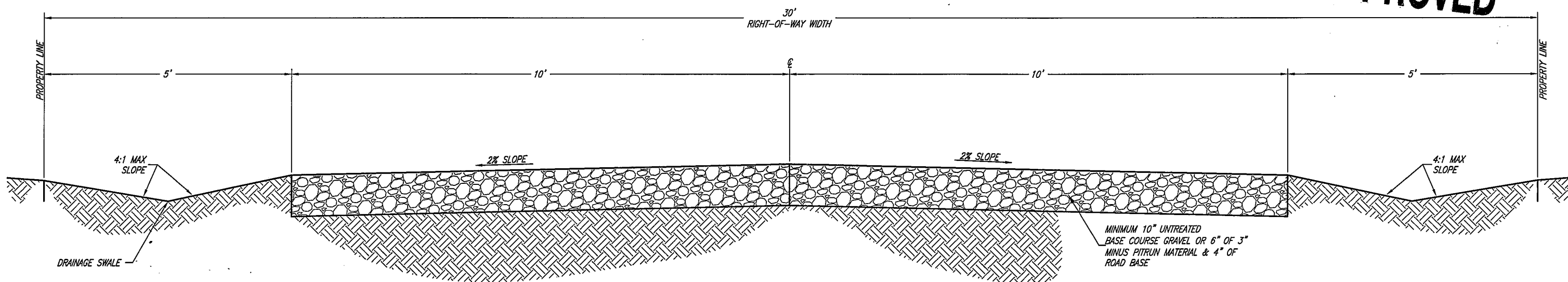
Index of Drawings

- 1.....TITLE PAGE & INDEX OF DRAWINGS
- 2.....PRIVATE ROADWAY SECTION
- 3.....PUBLIC ROADWAY SECTION
- 4.....DRIVEWAY DETAILS
- 5.....STANDARD STREET INTERSECTION DETAILS
- 6.....TYPICAL WHEELCHAIR RAMP & IRRIGATION
BOX DETAILS
- 7.....CUL-DE-SAC DETAILS
- 8.....CATCH BASINS & STORM DRAIN CLEANOUT
MANHOLE DETAILS
- 9.....TYPE V CATCH BASIN & OUTLET DIPSTONE
DETAILS
- 10...STORM DRAIN MANHOLE & SUBSURFACE
DRAINAGE DETAILS
- 11...FENCING STANDARD DETAILS
- 12...CATTLE GUARD DETAILS

JANUARY 2010

**MINIMUM RESIDENTIAL ACCESS, PRIVATE ROAD AND PRIVATE DRIVEWAY (SERVING 1 OR 2 LOTS)
FOR DRIVEWAYS OVER 150' LONG**

APPROVED

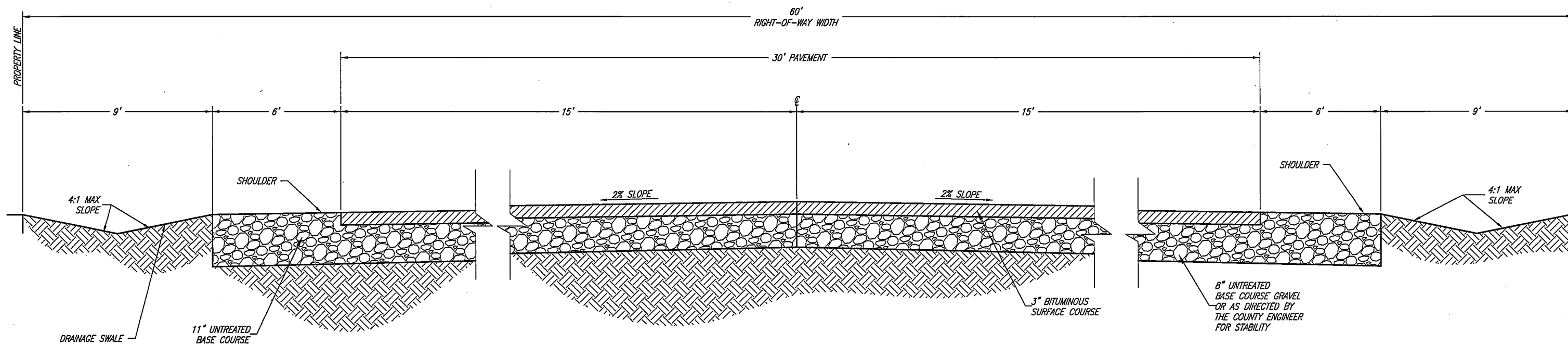


NOTE:

1. THIS GRAVEL BASE COURSE THICKNESS SHALL BE CONSIDERED AS THE COUNTY STANDARD, BUT MAY BE INCREASED BY THE COUNTY ENGINEER WHEN A GREATER DEPTH IS NECESSARY, OR FABRIC ADDED IF IN WET AREAS, TO PROVIDE SUFFICIENT STABILITY. DESIGNER AND / OR DEVELOPER MAY SUBMIT AN ALTERNATIVE PAVEMENT DESIGN BASED ON A DETAILED SOILS ANALYSIS FOR APPROVAL BY THE COUNTY ENGINEER WHICH MAY MODIFY THE ROAD THICKNESS, BUT IN NO CASE SHALL THE GRAVEL BASE COURSE BE LESS THEN 4". PRIVATE DRIVEWAYS OVER 150' IN LENGTH NEED TO BE DESIGNED TO CARRY HS-20 TRAFFIC LOADS. IT IS ALSO ACCEPTABLE FOR THE DEVELOPERS ENGINEER TO SUBMIT A DESIGN FOR THE ROAD AND CERTIFY IT FOR REVIEW BY THE COUNTY ENGINEER.

THIS STANDARD WILL BE FOR ALL FUTURE HOMES THAT WILL HAVE ACCESS TO A COUNTY ROAD TO BE IN COMPLIANCE WITH NATIONAL FIRE CODE.

STANDARD PRIVATE ROAD (SERVING 3 OR MORE LOTS)



PROJECT ENGINEER	REV.	DATE	APPR.
DATE			

SCALE:
N. T.S.

DESIGNED BWS
DRAWN SLS
CHECKED KLW



CONSULTING ENGINEERS

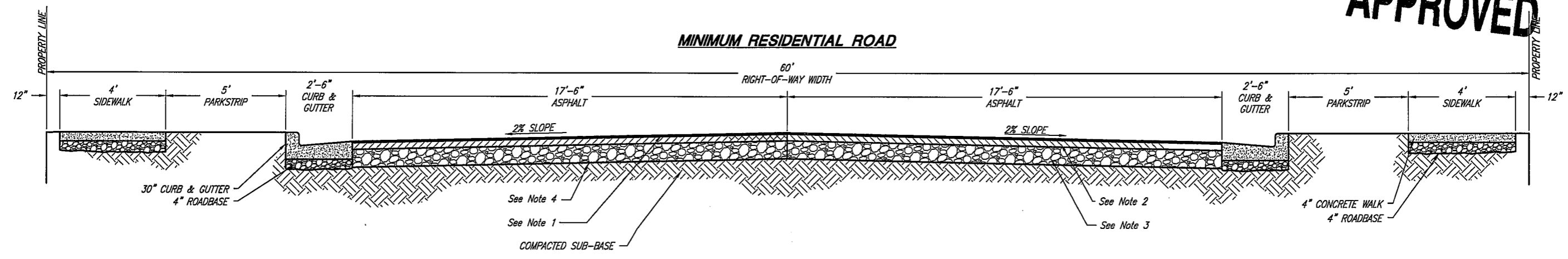
1716 East 5600 South
South Ogden, Utah 84403 (801) 476-9787

BOX ELDER COUNTY	
ROAD, STORM DRAIN, AND FENCING STANDARD DRAWINGS	
PRIVATE ROADWAY SECTIONS	

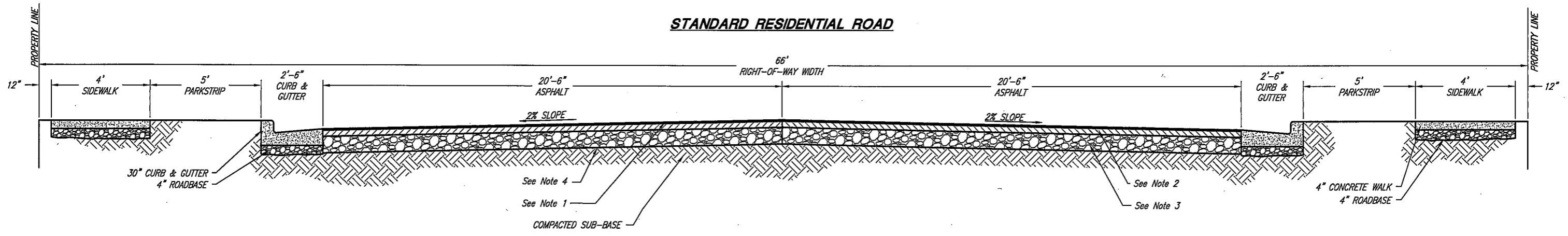
SHEET:
2
OF 12 SHEETS

APPROVED

MINIMUM RESIDENTIAL ROAD



STANDARD RESIDENTIAL ROAD



NOTES

- 1 SEAL COAT: UDOT TYPE A BITUMINOUS SEAL COAT, SLAG CHIP & SEAL OR TYPE III SLURRY SEAL COAT AS DIRECTED BY COUNTY ENGINEER.
- 2 PAVEMENT: 3" BITUMINOUS SURFACE COURSE PER UDOT 3/4" GRADATION
- 3 BASE COURSE: 8" GRAVEL BASE COURSE PER UDOT 3/4" OR 1" GRADATION.
- 4 GEOTEXTILE FABRIC: IF GEOTEXTILE FABRIC IS REQUIRED ON SUBGRADE USE "GEOTEX" 315-ST OR APPROVED EQUAL.
- 5 THESE PAVEMENT THICKNESS SHALL BE CONSIDERED AS COUNTY STANDARDS AND MAY BE INCREASED BY THE COUNTY ENGINEER WHEN A GREATER DEPTH IS NECESSARY TO PROVIDE SUFFICIENT STABILITY TO CARRY HS-20 LOADS. DESIGNER AND/OR DEVELOPER MAY SUBMIT AN ALTERNATIVE PAVEMENT DESIGN BASED ON A DETAILED SOILS ANALYSIS FOR APPROVAL BY THE COUNTY ENGINEER WHICH MAY MODIFY PAVEMENT THICKNESS, BUT IN NO CASE SHALL THE BITUMINOUS SURFACE COURSE BE LESS THAN 3" AND GRAVEL BASE COURSE LESS THAN 4" THICK.

PUBLIC ROAD PAVEMENT WIDTHS

ROAD DESIGNATION	ROW	PAVEMENT WIDTH
STANDARD	60'	35'
COLLECTOR	66'	41'
MAJOR COLLECTOR	80'	55'
MAJOR ARTERIAL	100'	75'

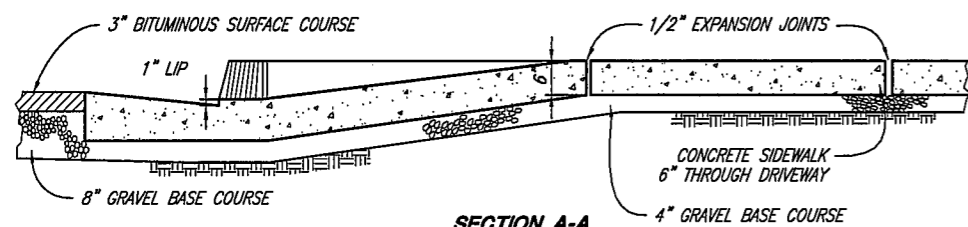
PROJECT ENGINEER			
DATE	REV.	DATE	APPR.

SCALE: N.T.S.
 DESIGNED BWS
 DRAWN SLS
 CHECKED KLJ

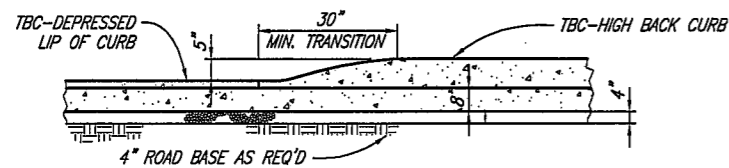


CONSULTING ENGINEERS
 1716 East 5600 South
 South Ogden, Utah 84403 (801) 476-9767

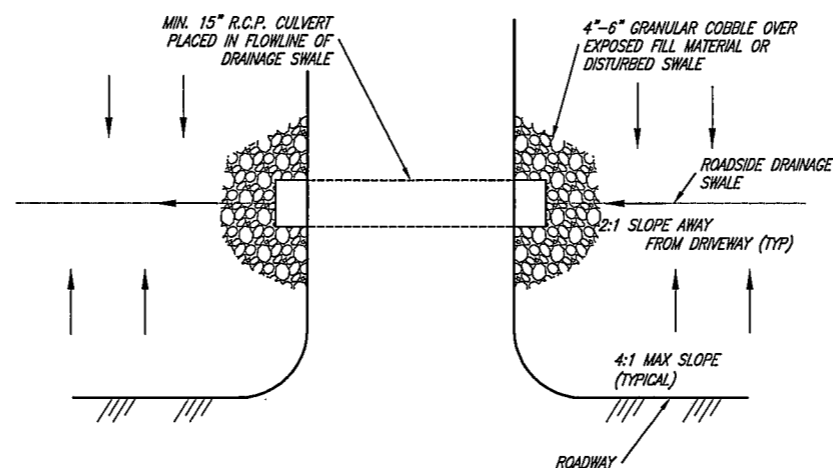
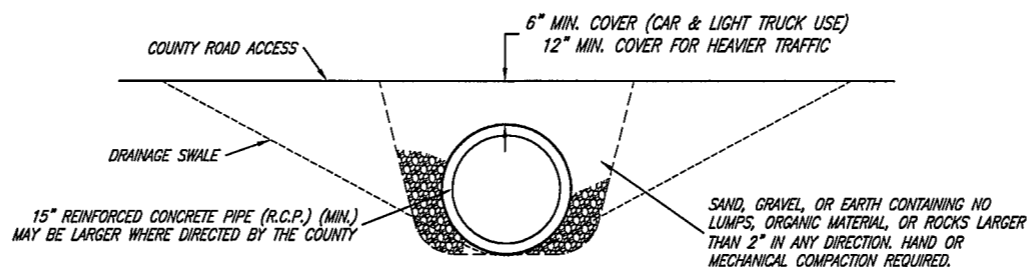
BOX ELDER COUNTY
 ROAD, STORM DRAIN, AND FENCING STANDARD DRAWINGS
PUBLIC ROADWAY SECTIONS



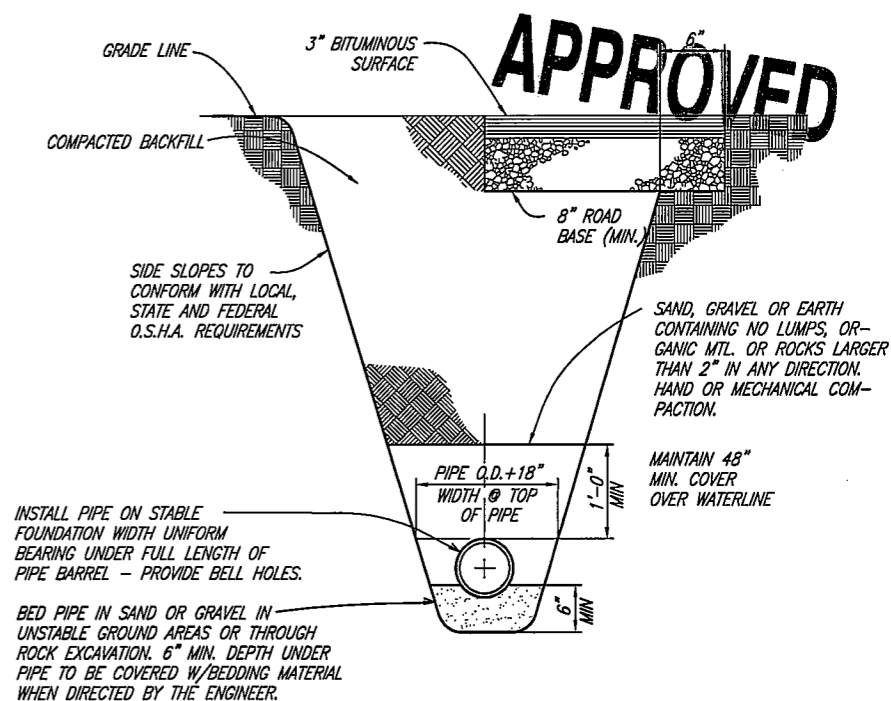
SECTION A-A



SECTION B-B

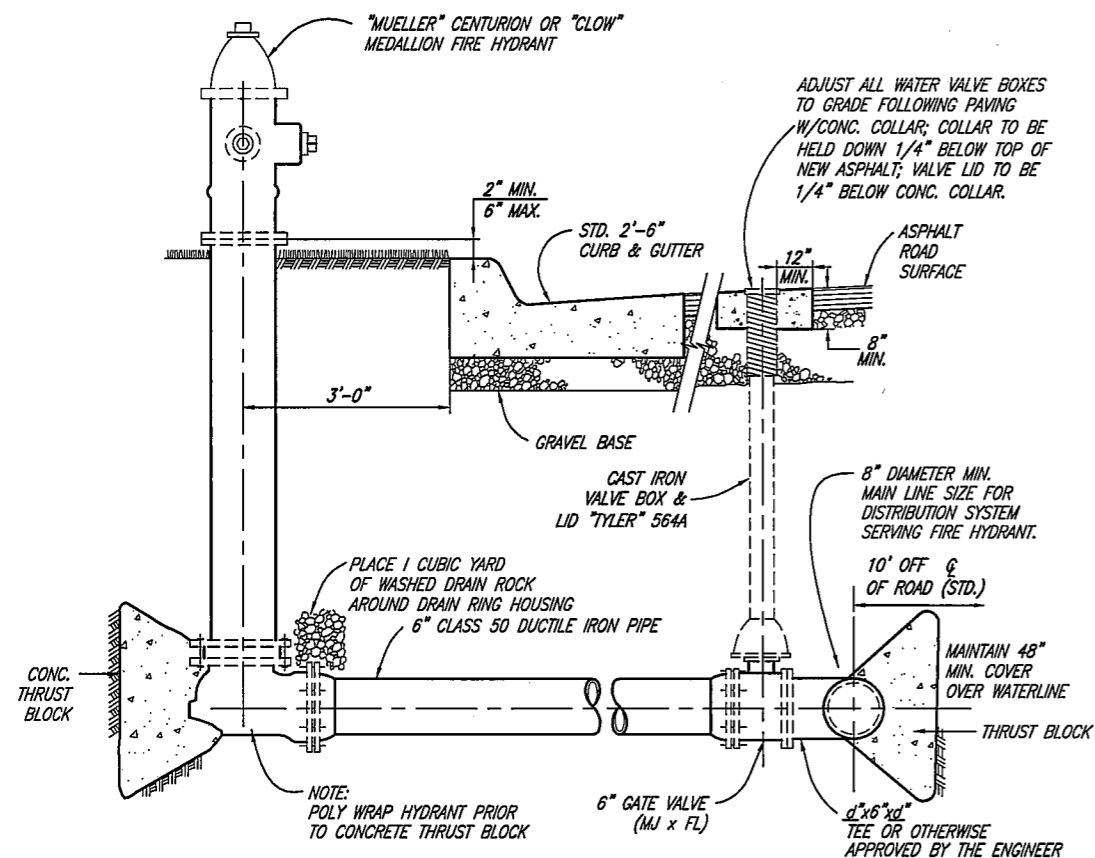


DRIVEWAY CULVERT DETAIL
(FOR ROADS WITHOUT CURB & GUTTER)

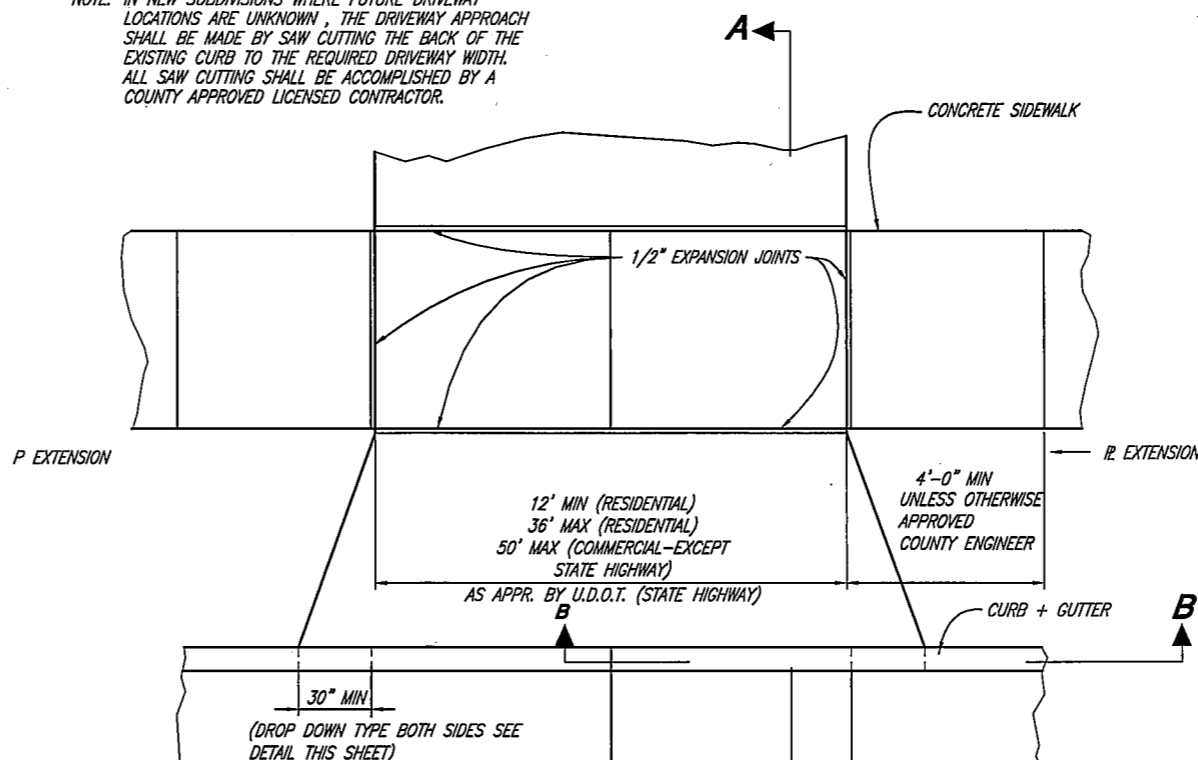


TYPICAL TRENCH SECTION

NOTE: IN NEW SUBDIVISIONS WHERE FUTURE DRIVEWAY LOCATIONS ARE UNKNOWN, THE DRIVEWAY APPROACH SHALL BE MADE BY SAW CUTTING THE BACK OF THE EXISTING CURB TO THE REQUIRED DRIVEWAY WIDTH. ALL SAW CUTTING SHALL BE ACCOMPLISHED BY A COUNTY APPROVED LICENSED CONTRACTOR.



TYPICAL URBAN FIRE HYDRANT CONNECTION



DRIVEWAY APPROACH
DROP DOWN STYLE

NOTE: SCORE SIDEWALK ONE QUARTER OF SIDEWALK THICKNESS EVERY 4'-0". PLACE EXPANSION JOINTS EVERY 50'

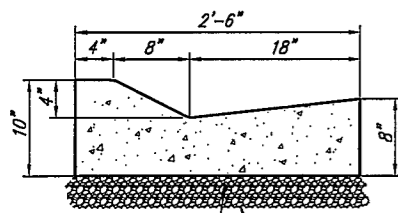
PROJECT ENGINEER	REV.	DATE	APPR.
DATE			

SCALE: N.T.S.
DESIGNED: BWS
DRAWN: SLS
CHECKED: KLJ

JA JONES & ASSOCIATES
CONSULTING ENGINEERS
1716 East 5600 South
South Ogden, Utah 84403 (801) 476-9767

BOX ELDER COUNTY
ROAD, STORM DRAIN, AND FENCING STANDARD DRAWINGS
DRIVEWAY DETAILS

SHEET: **4**
OF 12 SHEETS



SUBGRADE PREPARED AS SPECIFIED FOR ROADWAY
4" ROADBASE GRAVEL REQ'D

ROLL CURB SECTION
(SPECIAL APPROVAL REQUIRED)

FIRE HYDRANT (TYP.)
SEE SHT. #4

SIDEWALK EXPANSION JOINTS EVERY 50' & SCRIBE JOINTS EVERY 4' (TYPICAL)

20' RADIUS (TYP.)
9.5' RADIUS (TYP.)

GAS MAIN

IRR
CONC. CURB & GUTTER PAN JOINTS EVERY 10'
EXPANSION JOINTS EVERY 50' UNLESS LAID W/
CURB MACHINE THEN AT BCR & ECR (TYP.)
SEE DETAIL THIS SHEET

SANITARY SEWER
STORM DRAIN

CULINARY WATER

TYP OUTLET DIPSTONE WHERE SPECIFIED BY COUNTY ENGINEER

STREET LIGHT POLE & ASS'Y (LOCATION TYPICAL FOR INTERSECTION)

LOCATION OF STOP SIGN W/STREET SIGN ON TOP (TYP.)

- THE NUMBER OF VALVES REQUIRED AT EACH INTERSECTION SHALL BE DETERMINED BY THE COUNTY ENGINEER
- WHEN LOCATING STREET LIGHTING ALWAYS INSTALL ASSEMBLY W/MAST ARM AT RIGHT ANGLES TO STREET
- ALWAYS LOCATE STREET LIGHT IN CLOSE PROXIMITY TO FIRE HYDRANT.
- THE INTERSECTION SHALL BE LIT WITH LIGHT ASS'Y LOCATED OPPOSITE Q OF INTERSECTING STREET. (SEE DIAGRAM BELOW)



6" FLX MJ VALVE
6"x8" FLX MJ TEE
Q OF STREET
10' (TYP.)
OR AS DIRECTED BY COUNTY ENGINEER
10'0" N.T.S.
10'0" N.T.S.

CONTRACTION JOINTS (TYP.)
10'±O.C.

10'0" N.T.S.
10'0" N.T.S.

STORM DRAIN CLEANOUT MANHOLE-SEE SHT. 8

STORM SEWER (ALTERNATE LOCATION)

STD CATCH BASIN TYPE I & II OR POSITION STRUCTURE AS SPECIFIED BY THE COUNTY ENGINEER

CULINARY WATER
SANITARY SEWER
IRR

STREET LIGHT POLE & ASS'Y (LOCATION TYPICAL; FOR INTERSECTION)

SANITARY SEWER MANHOLE

SURVEY MONUMENT SEE DETAIL THIS SHEET

LOCATE VALVE AT PROJECTION OF R.O.W. LINES (TYPICAL)

INLET BOX OR DIPSTONE STRUCTURE AS SPECIFIED BY COUNTY ENGINEER

LOCATION COORDINATE DESIGNATION

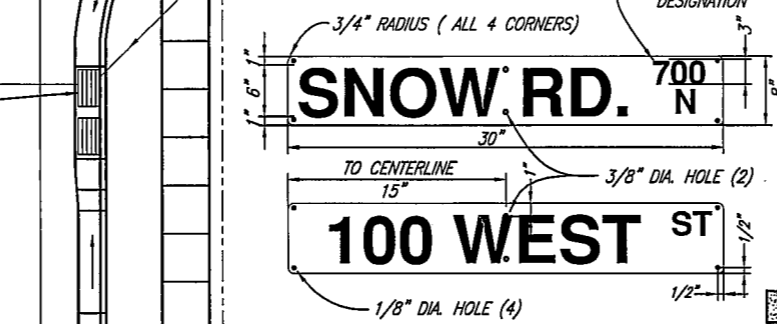
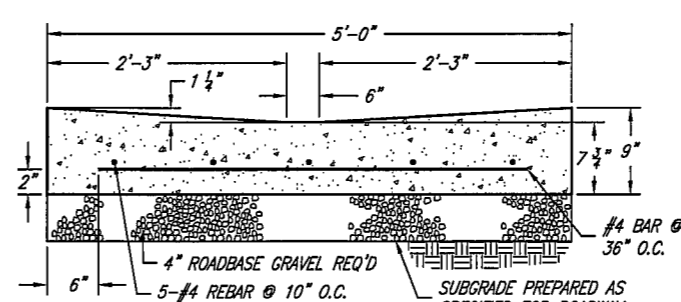
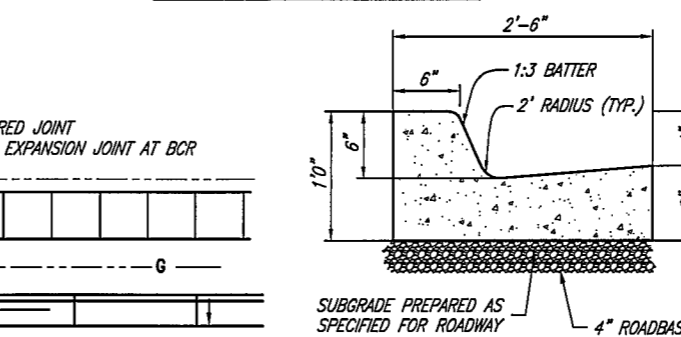


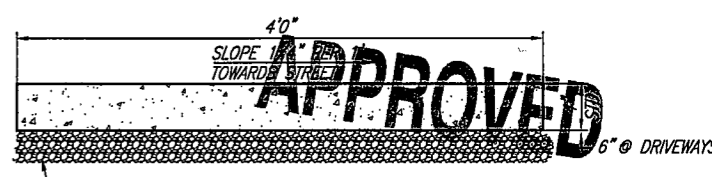
PLATE DETAIL



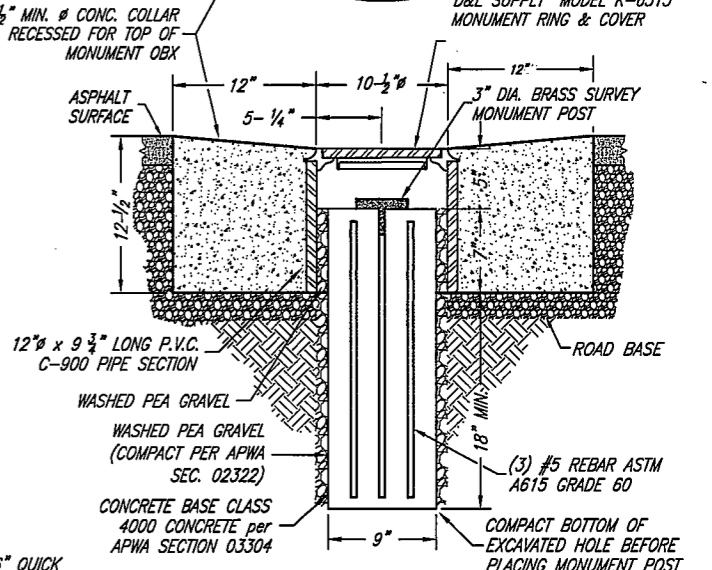
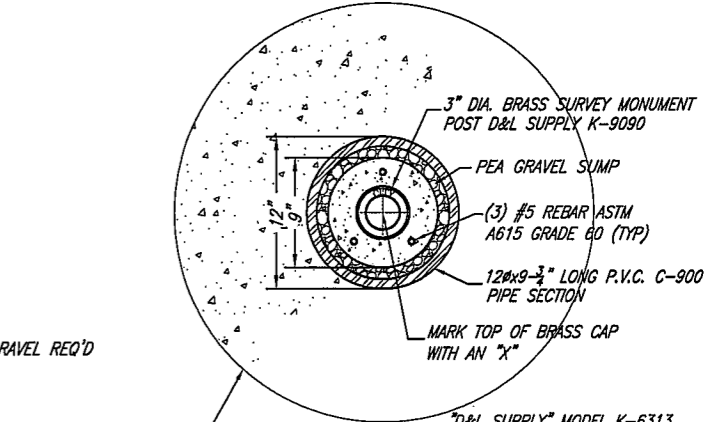
CROSS DRAIN SECTION



CURB & GUTTER SECTION

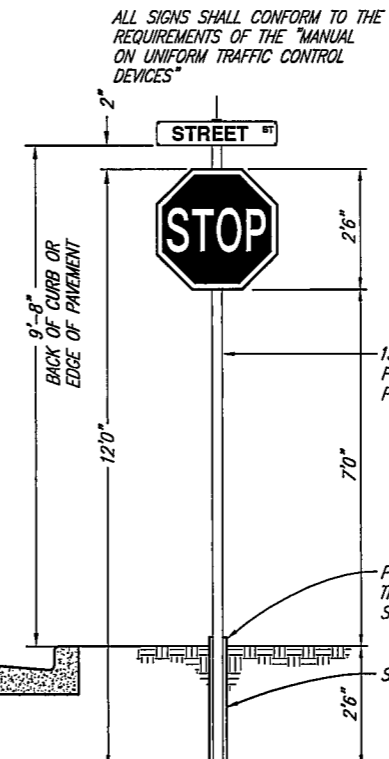


SIDEWALK SECTION



SURVEY MONUMENT DETAIL

- TRAFFIC SIGN NOTES:
- BACKGROUND SHALL BE GREEN, HIGH INTENSITY REFLECTIVE SHEETING 9FP-85 TYPE IIIA)
 - LEGEND SHALL BE WHITE LETTERS, HIGH INTENSITY REFLECTIVE SHEETING 9FP-85 IIIA)
 - SIGN BLANK SHALL BE 6081-76 HEAT TREATED HIGH TENSILE DEGREASED ALUMINUM W/ALODINE 1200 FINISH-THICKNESS SHALL BE 0.10"
 - EACH SIGN SHALL CONSIST OF TWO PLATES RIVETED TOGETHER & MOUNTED AS SHOWN
 - SIGN ON PRIVATE ROADS SHALL MEET ALL SPECIFICATIONS FOR STANDARD SIGNS, EXCEPT BACKGROUND SHALL BE BLUE
 - ALL STREETS WITH NAMES MUST ALSO SHOW LOCATIONS COORDINATE DESIGNATION
 - ADDRESS COORDINATE MUST BE CONTACTED PRIOR TO MAKING SIGNS TO VERIFY PROPER NAMES AND COORDINATES
 - IF STREET HAS CONCRETE CURB, SIGN POST TO BE PLACED AT THE POINT OF CURVE (PC) OF THE INTERSECTION APPROACH CURB, OTHERWISE SIGN SHALL BE PLACED AT PC OF ASPHALT RADIUS APPROACH



TRAFFIC SIGN & POST

SCALE:
N. T.S.

DESIGNED BWS
DRAWN BEB
CHECKED KLJ



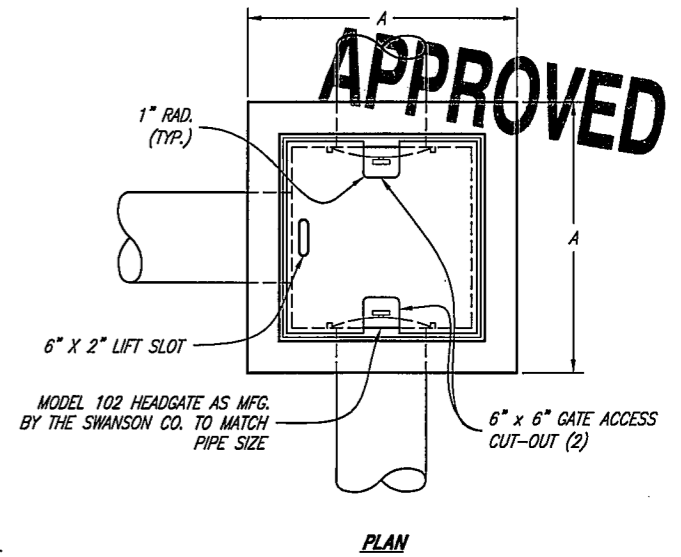
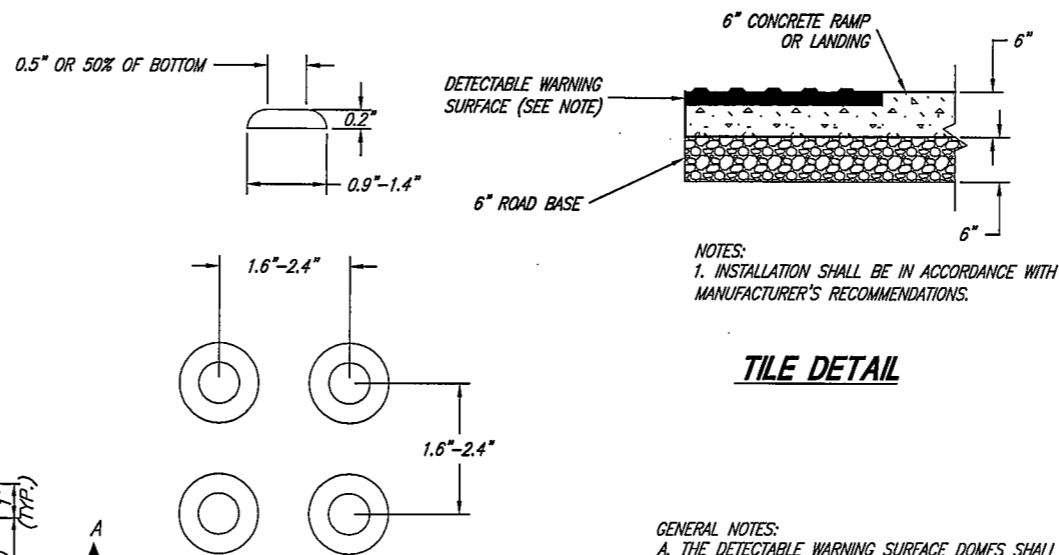
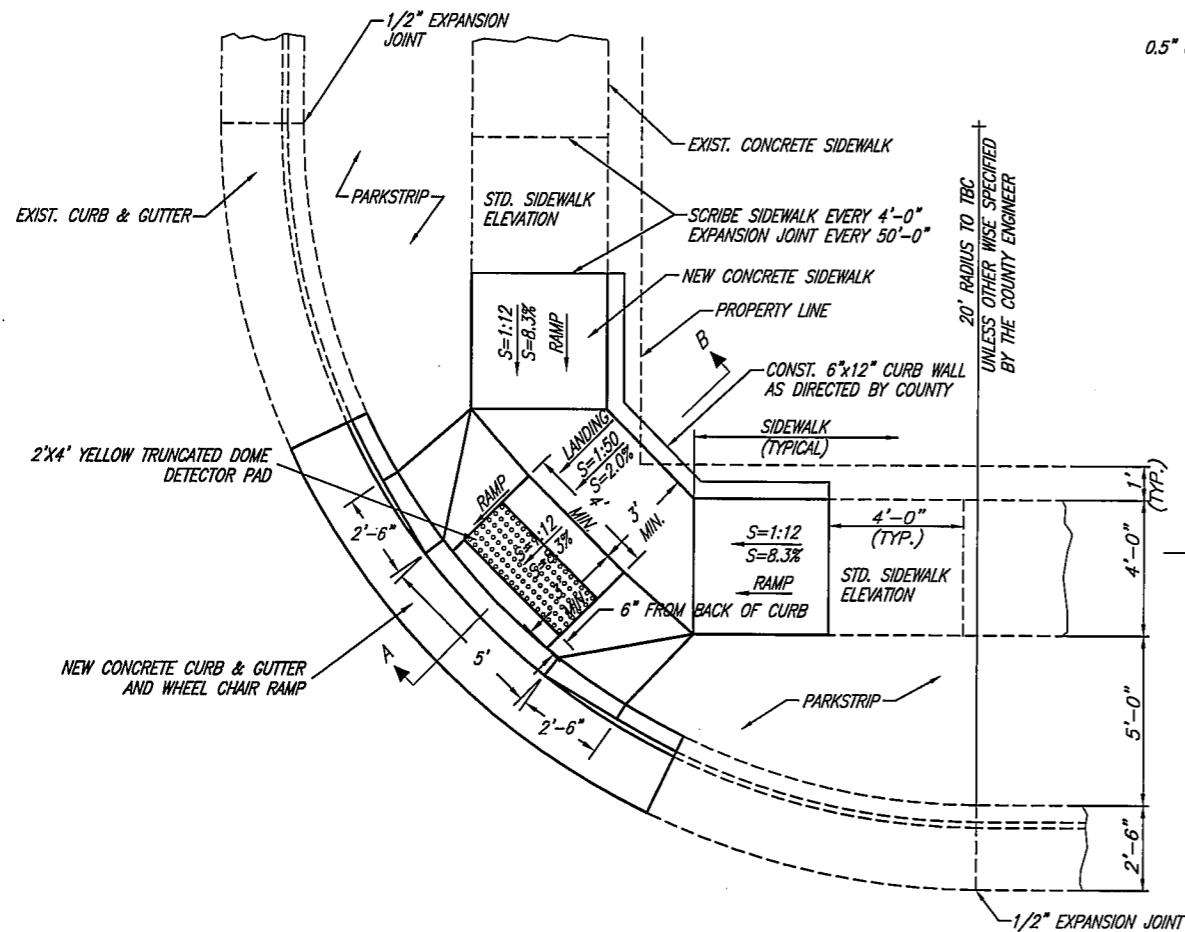
JONES & ASSOCIATES CONSULTING ENGINEERS
1716 East 5800 South
South Ogden, Utah 84403 (801) 476-9767

BOX ELDER COUNTY
ROAD, STORM DRAIN, AND FENCING STANDARD DRAWINGS
STANDARD STREET INTERSECTION DETAILS

SHEET:
5
OF 12 SHEETS

REV.	DATE	APPR.

PROJECT ENGINEER: _____
DATE: _____



TILE DETAIL

NOTES:
1. INSTALLATION SHALL BE IN ACCORDANCE WITH MANUFACTURER'S RECOMMENDATIONS.

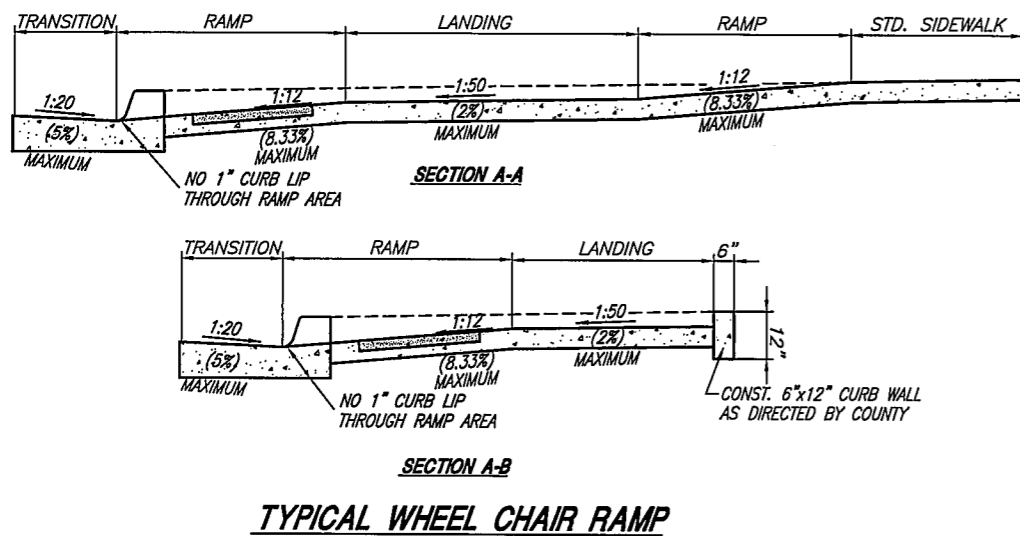
GENERAL NOTES:
A. THE DETECTABLE WARNING SURFACE DOMES SHALL BE ORIENTED SUCH THAT THE ROWS ARE PARALLEL WITH THE DIRECTION OF PEDESTRIAN TRAVEL TO THE RAMP ON THE OPPOSITE SIDE OF THE STREET.
B. THE COLOR FOR THE DETECTABLE WARNING SURFACE SHALL BE YELLOW IN COLOR AS APPROVED BY THE COUNTY OR AUTHORIZED REPRESENTATIVE.
C. WHEN A DETECTABLE WARNING SURFACE DOME IS CUT, THE REMAINING PORTION OF THE DOME SHALL BE BEVELED TO A MAXIMUM SLOPE OF 1:2.

DIMENSION	TYPE I	TYPE II
A	3'-0"	4'-0"
B	2'-1 1/2"	3'-1 1/2"
C	2'-1"	3'-1"
D	2'-0"	3'-0"

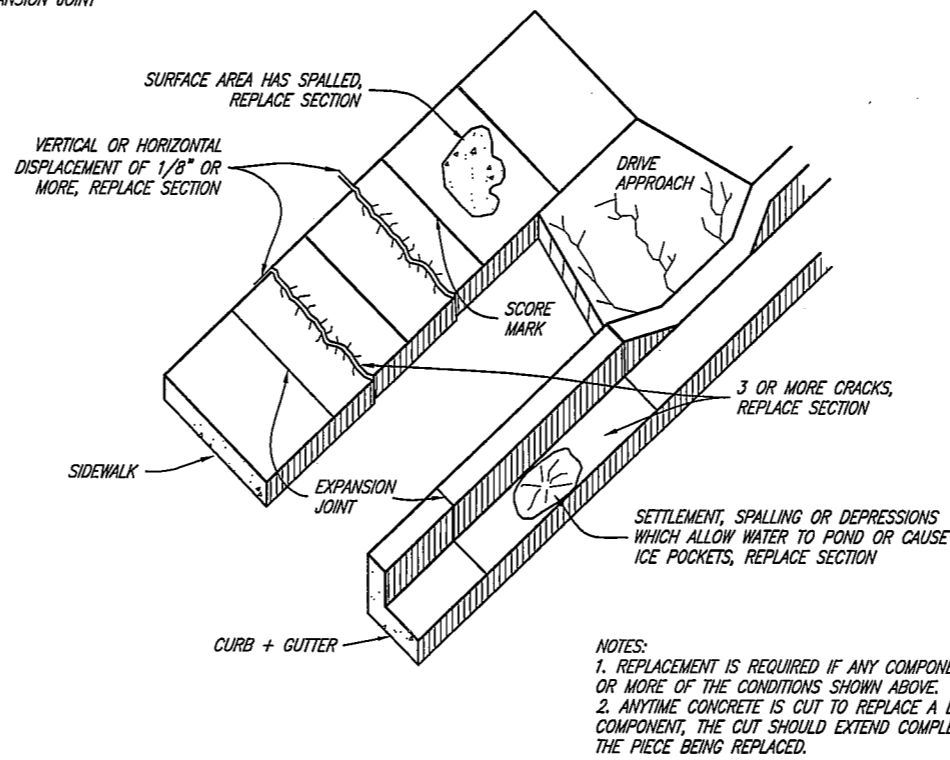
TRUNCATED DOME DETAIL

NOTES:
1. LOCATE DETECTABLE WARNINGS SO THAT THE EDGE NEAREST THE BACK OF CURB OR OTHER POTENTIAL HAZARD IS 6 INCHES FROM THE BACK OF CURB OR OTHER POTENTIAL HAZARD. PROVIDE 2-FOOT MINIMUM DEPTH.

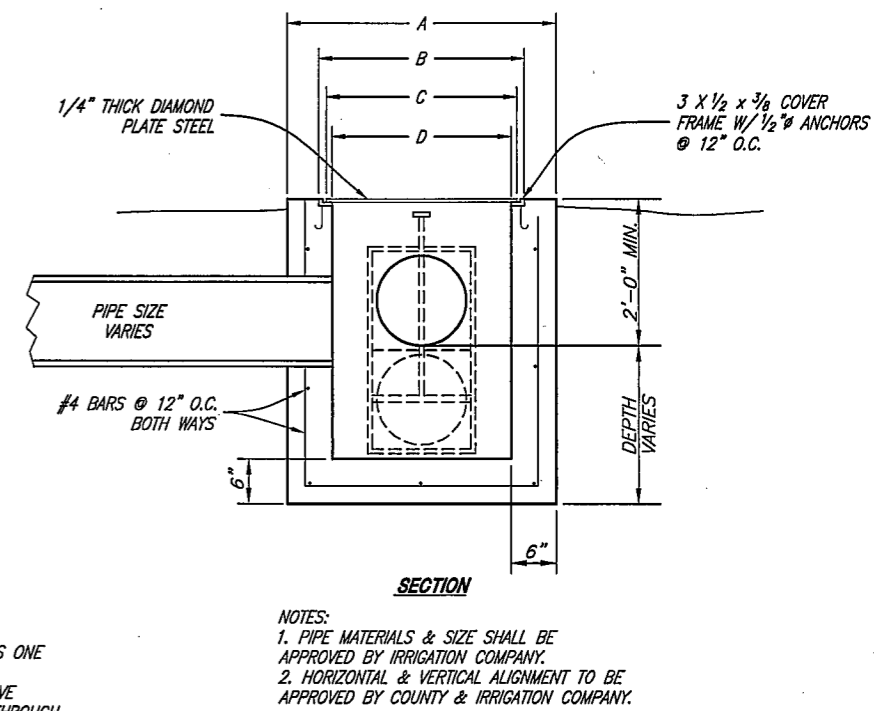
SEE FIGURE FOR TRUNCATED DOME SIZE AND SPACING DIMENSION DETAILS.



TYPICAL WHEEL CHAIR RAMP



DEFECTIVE CONCRETE REPLACEMENT CRITERIA



IRRIGATION BOX

PROJECT ENGINEER	REV.	DATE	APPR.
DATE			

SCALE: N. T.S.

DESIGNED BWS
DRAWN DEB
CHECKED KLJ

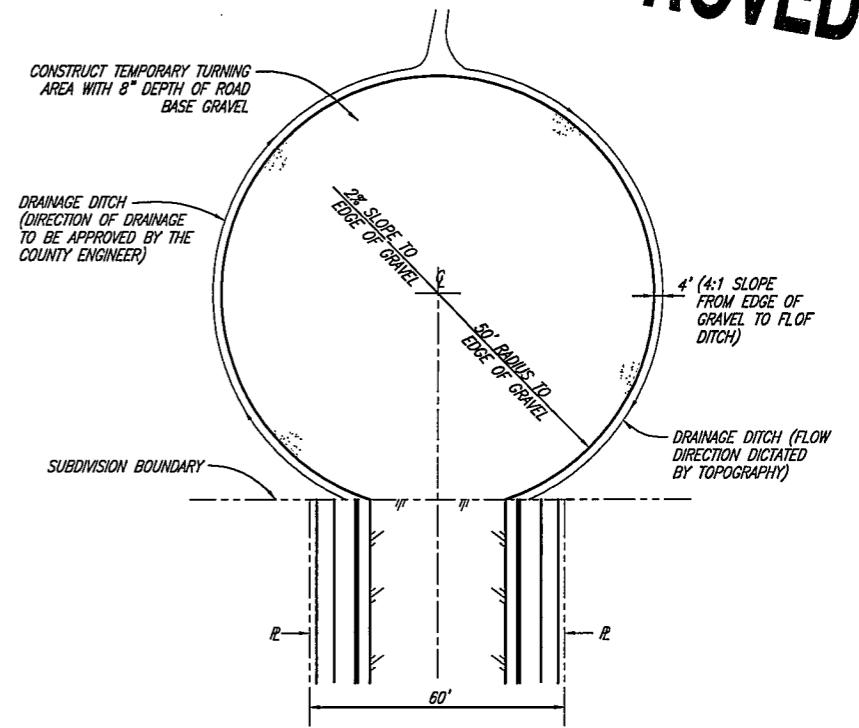
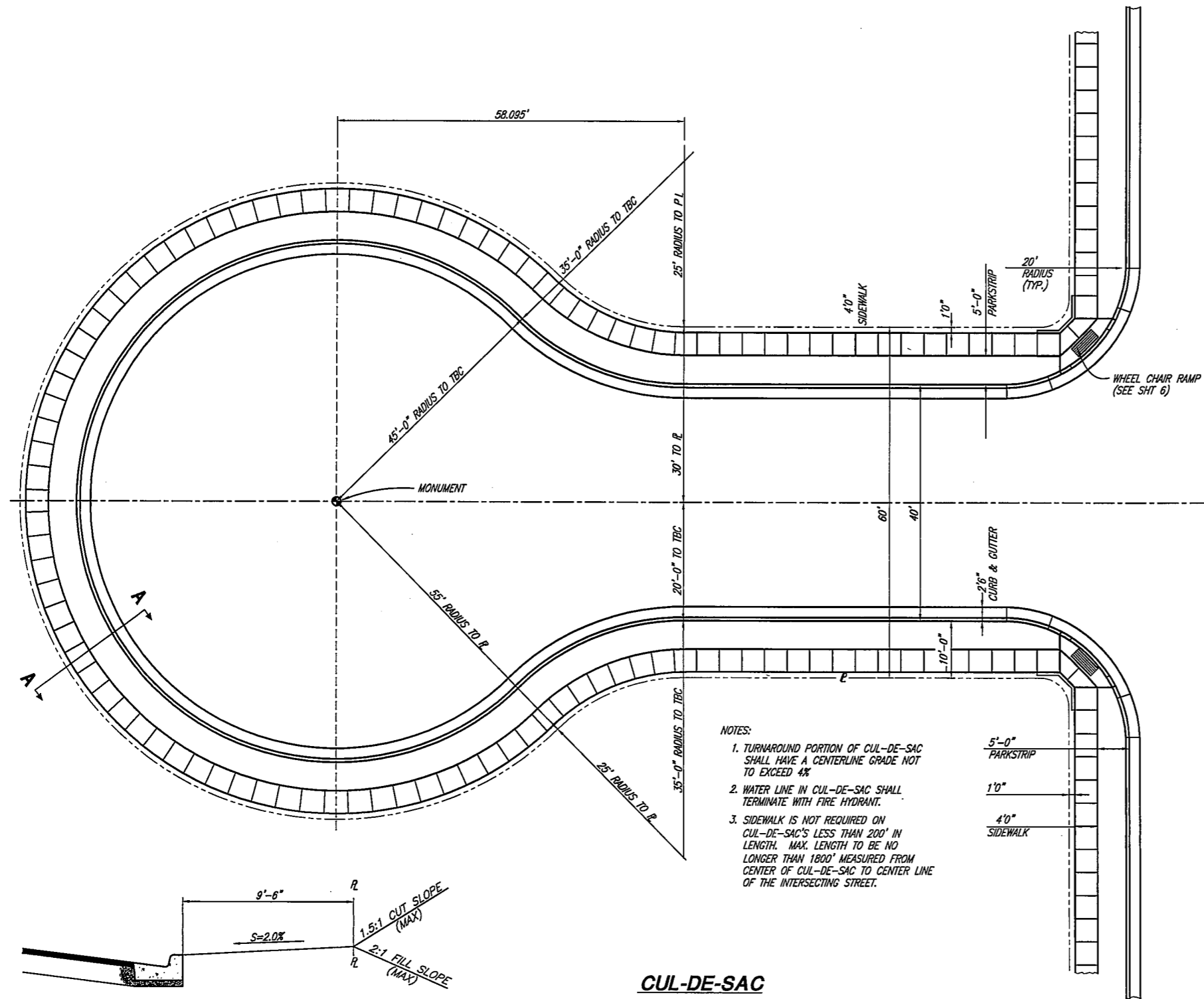


JONES & ASSOCIATES CONSULTING ENGINEERS
1716 East 5600 South
South Ogden, Utah 84403 (801) 476-9767

BOX ELDER COUNTY
ROAD, STORM DRAIN, AND FENCING STANDARD DRAWINGS
TYPICAL WHEELCHAIR RAMP

SHEET: **6**
OF 12 SHEETS

APPROVED

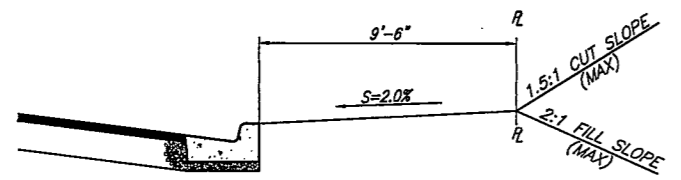


TEMPORARY TURNAROUND

- NOTES:
1. TURNAROUND PORTION OF CUL-DE-SAC SHALL HAVE A CENTERLINE GRADE NOT TO EXCEED 4%.
 2. WATER LINE IN CUL-DE-SAC SHALL TERMINATE WITH FIRE HYDRANT.
 3. SIDEWALK IS NOT REQUIRED ON CUL-DE-SAC'S LESS THAN 200' IN LENGTH. MAX. LENGTH TO BE NO LONGER THAN 1800' MEASURED FROM CENTER OF CUL-DE-SAC TO CENTER LINE OF THE INTERSECTING STREET.

NOTE: WHEN TURNAROUND CANNOT BE CONSTRUCTED OUTSIDE OF THE SUBDIVISION, IT SHALL BE LOCATED ON A PORTION OF THE SUBDIVISION LOTS (AS NEEDED) WITH THE SUBDIVIDER PLACING IN ESCROW AN AMOUNT OF MONEY SUFFICIENT TO COMPLETE THE STREET IMPROVEMENTS TO THE SUBDIVISION BOUNDARY. THESE FUNDS WILL BE USED AT SUCH TIME THE STREET IS EXTENDED.

NOTE: THE CIRCULAR CUL-DE-SAC LAYOUT SHOWN ON THIS SHEET IS TO BE CONSIDERED AS THE COUNTY STANDARD DESIGN. OTHER ALTERNATE DESIGN MAY BE CONSIDERED AS APPROVED BY THE COUNTY ENGINEER.



SECTION A-A

REQUIRED GRADING BETWEEN TBC AND PROPERTY LINE

CUL-DE-SAC

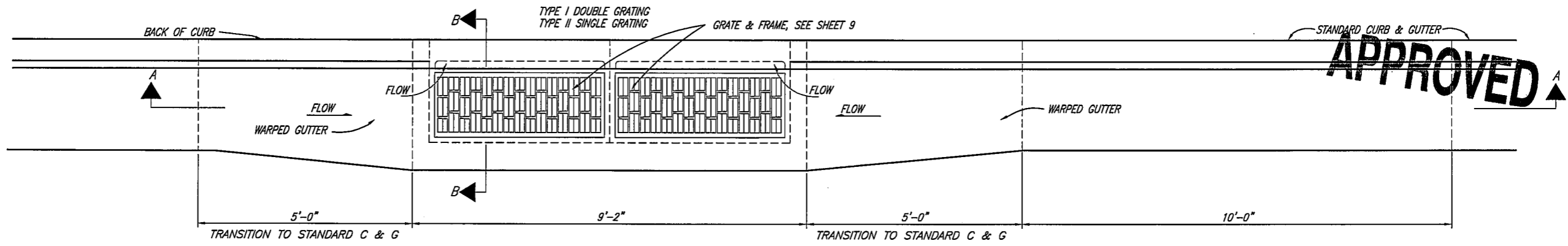
PROJECT ENGINEER	REV.	DATE	APPR.
DATE			

SCALE:	DESIGNED <u>BWS</u>
N. T.S.	DRAWN <u>BEB</u>
	CHECKED <u>KLJ</u>



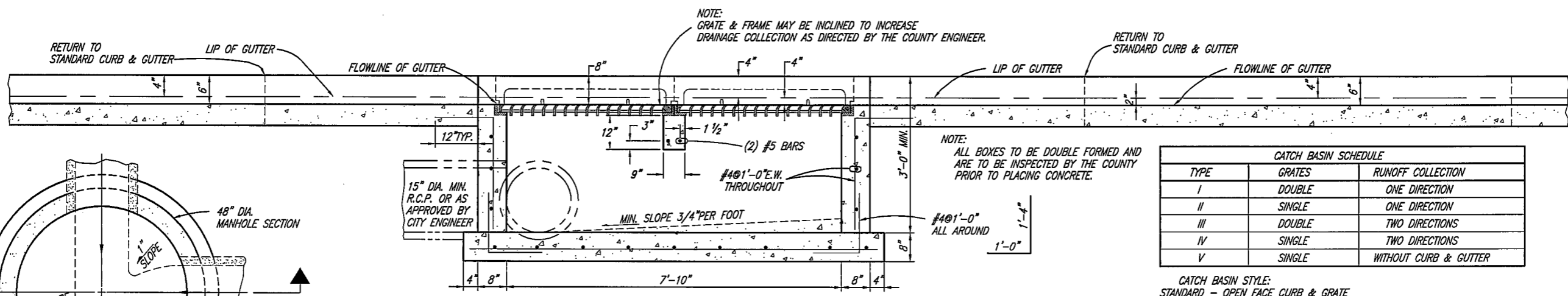
J.A. JONES & ASSOCIATES CONSULTING ENGINEERS
 1716 East 5600 South
 South Ogden, Utah 84403 (801) 476-9767

BOX ELDER COUNTY	SHEET:
ROAD, STORM DRAIN, AND FENCING STANDARD DRAWINGS	7
CUL-DE-SAC DETAILS	OF 12 SHEETS



APPROVED

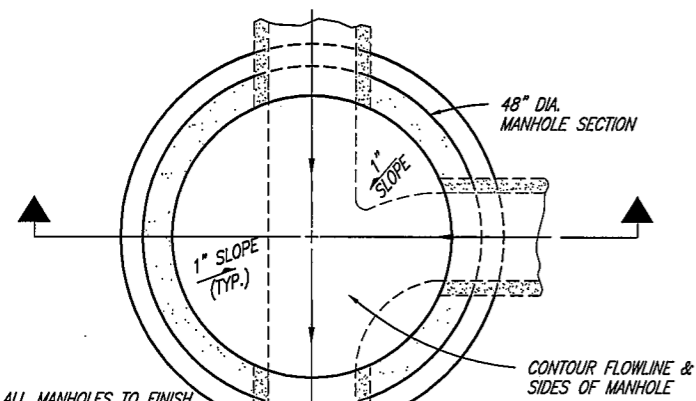
PLAN



CATCH BASIN SCHEDULE		
TYPE	GRATES	RUNOFF COLLECTION
I	DOUBLE	ONE DIRECTION
II	SINGLE	ONE DIRECTION
III	DOUBLE	TWO DIRECTIONS
IV	SINGLE	TWO DIRECTIONS
V	SINGLE	WITHOUT CURB & GUTTER

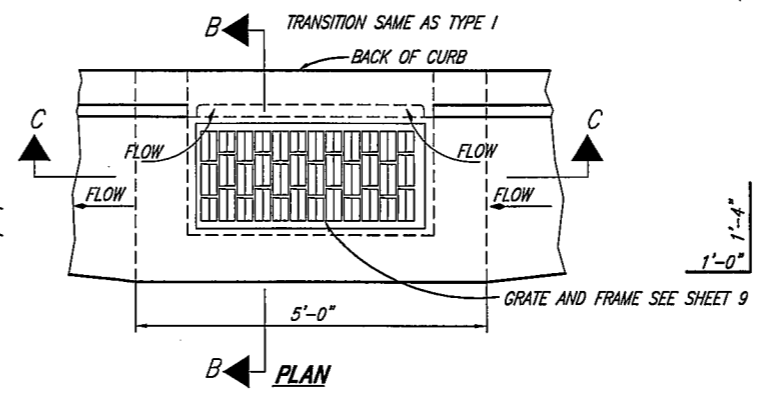
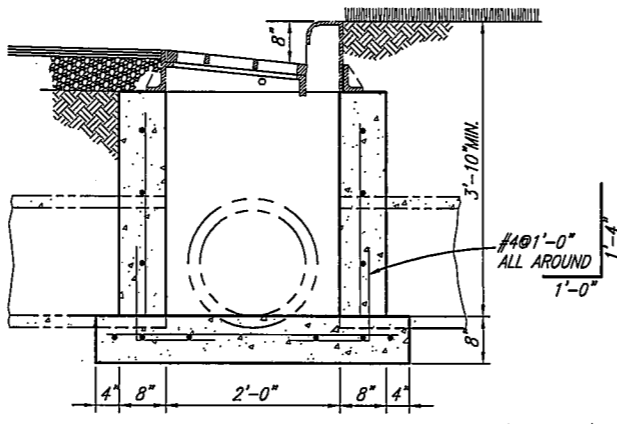
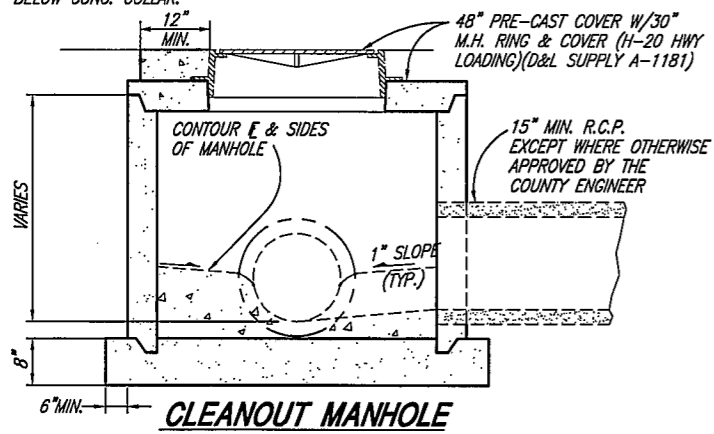
CATCH BASIN STYLE:
STANDARD - OPEN FACE CURB & GRATE
ALTERNATE 1 - STD. CURB & GRATE
ALTERNATE 2 - PVC CATCH BASIN

**SECTION A-A
TYPE I CATCH BASIN**

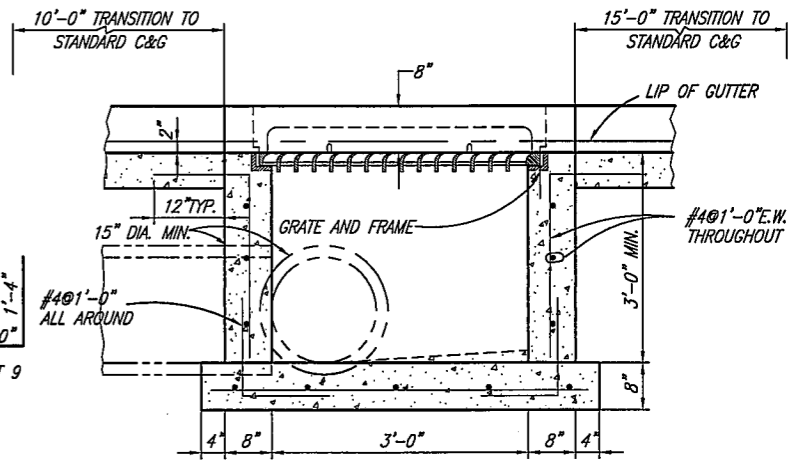


RAISE ALL MANHOLES TO FINISH GRADE OF STREET FOLLOWING PAVING WITH A CONCRETE COLLAR, COLLAR TO BE HELD DOWN 1/4" BELOW TOP OF NEW ASPHALT PAVING. MANHOLE LID TO BE 1/4" BELOW CONC. COLLAR.

PLAN



TYPE II CATCH BASIN



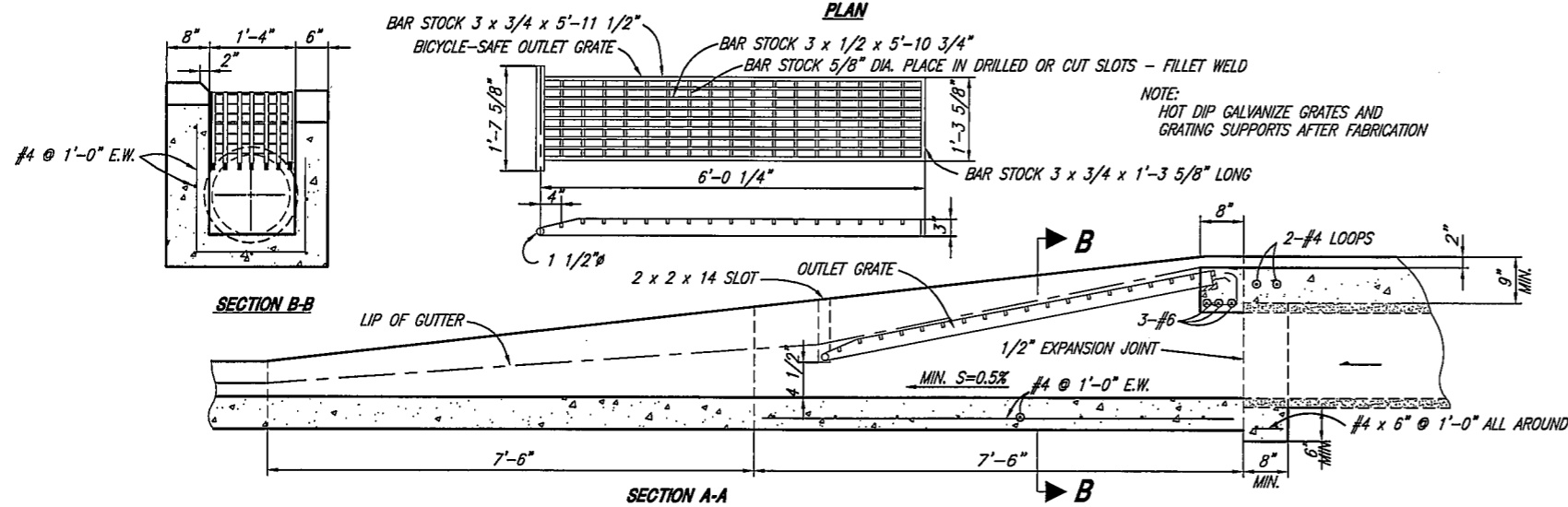
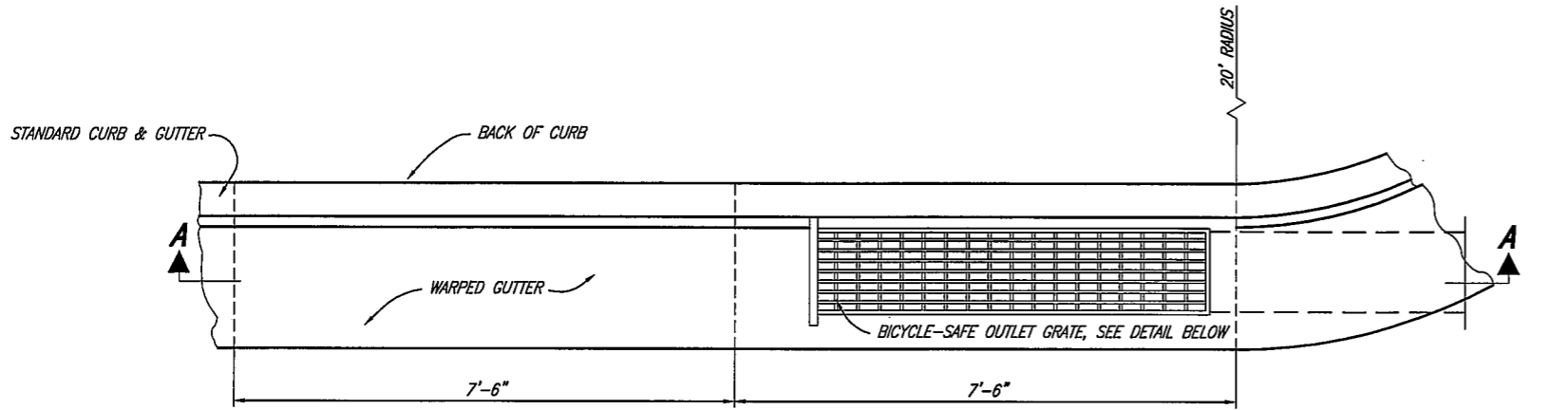
PROJECT ENGINEER	REV.	DATE	APPR.
DATE			

SCALE	DESIGNED	BWS
N. T.S.	DRAWN	BEB
	CHECKED	KLJ

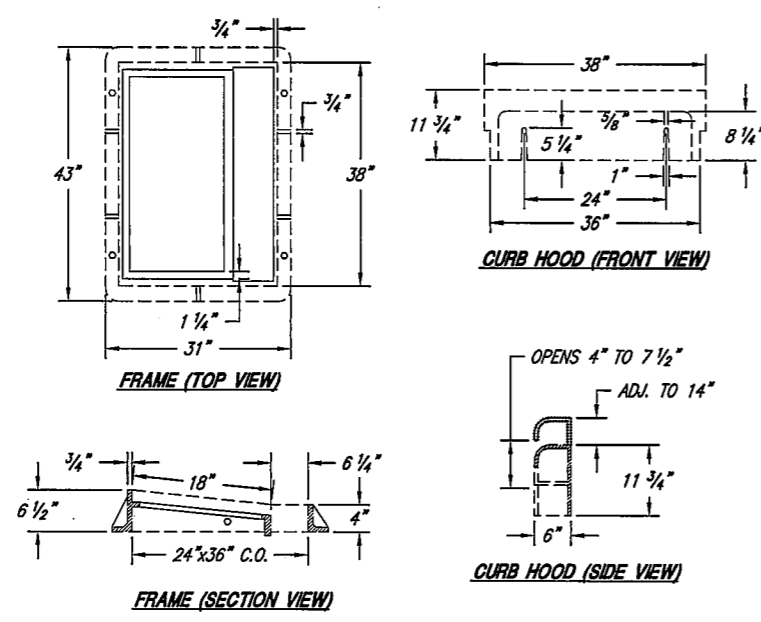


JONES & ASSOCIATES
CONSULTING ENGINEERS
1716 East 5600 South
South Ogden, Utah 84403 (801) 476-9767

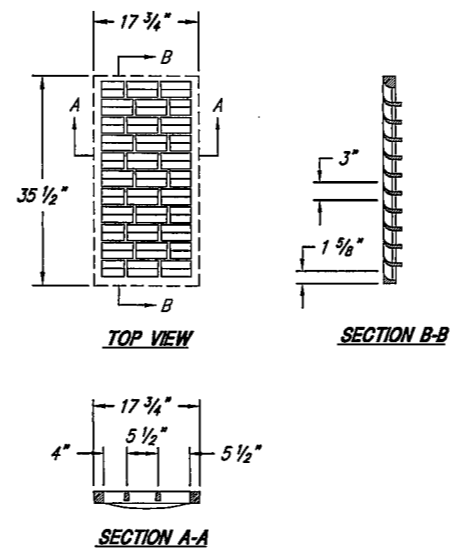
BOX ELDER COUNTY
ROAD, STORM DRAIN, AND FENCING STANDARD DRAWINGS
CATCH BASINS & STORM DRAIN CLEANOUT MANHOLE DETAILS



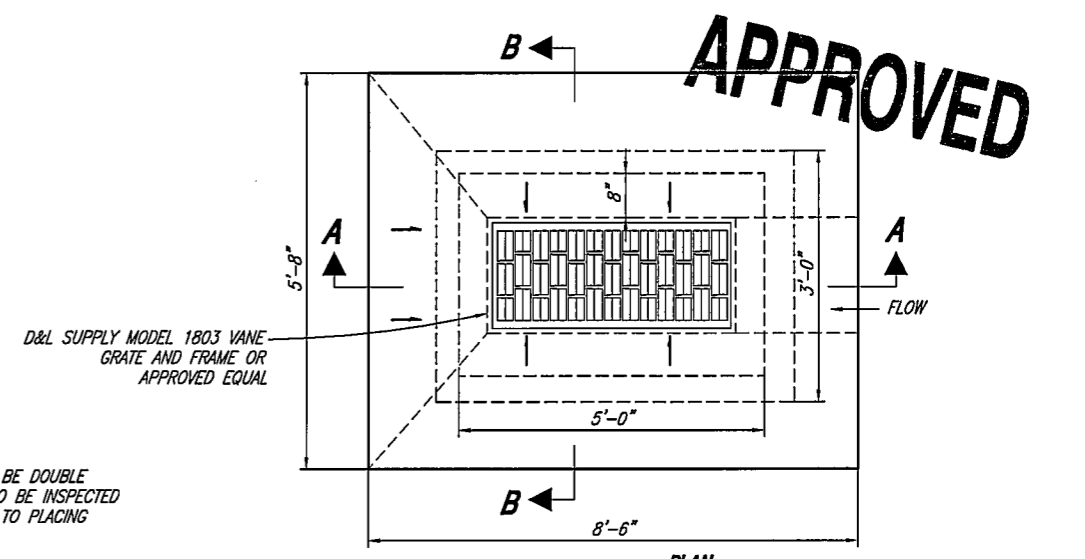
OUTLET DIPSTONE



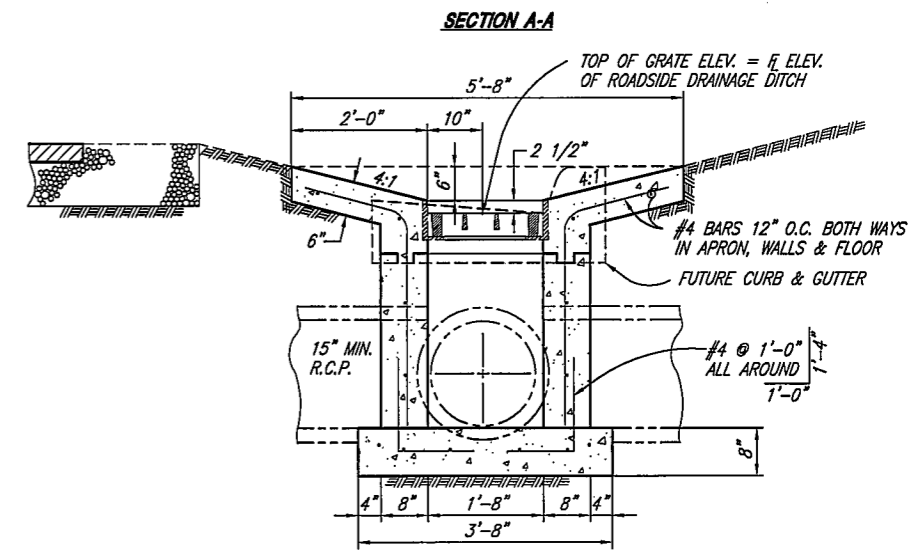
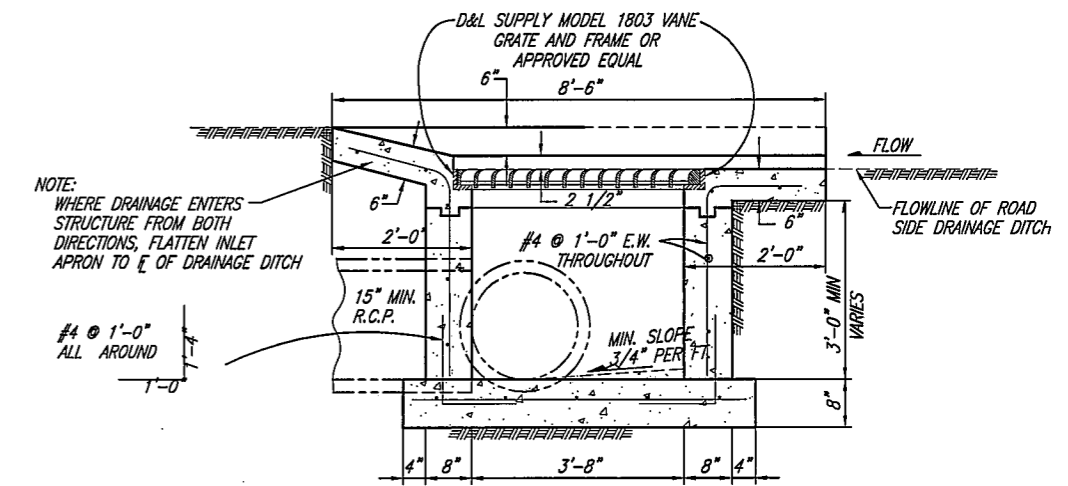
FRAME AND REINFORCED CURB HOOD
D&L SUPPLY I-3516-R2 AND I-3516-06



TYPE "L" GRATE (STD.)
D&L SUPPLY I-3517-02



NOTES:
ALL BOXES ARE TO BE DOUBLE FORMED AND ARE TO BE INSPECTED BY THE CITY PRIOR TO PLACING CONCRETE.



TYPE V CATCH BASIN

PROJECT ENGINEER	REV.	DATE	APPR.
DATE			

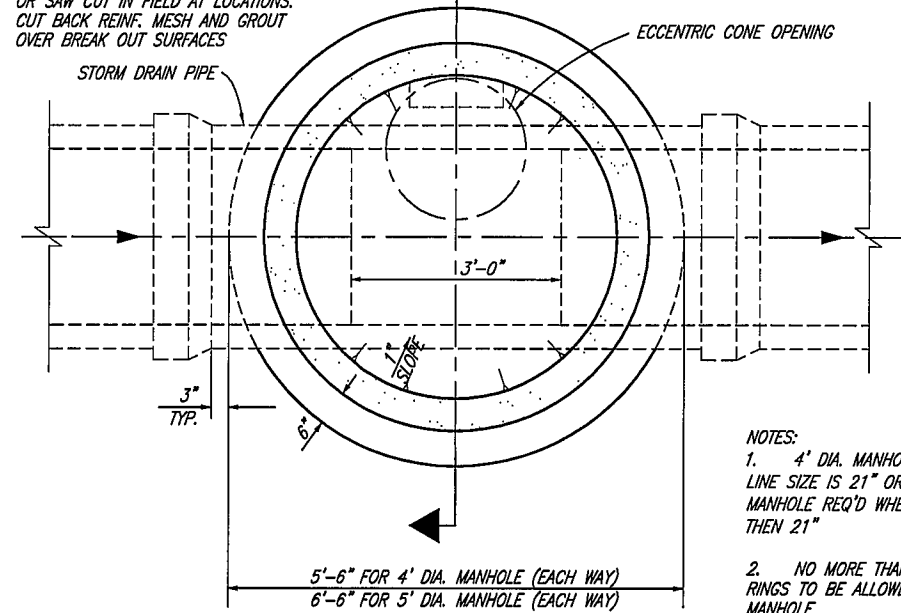
SCALE	DESIGNED
N. T.S.	BWS
	DRAWN
	BEB
	CHECKED
	KLJ



JONES & ASSOCIATES CONSULTING ENGINEERS
1716 East 5600 South
South Ogden, Utah 84403 (801) 476-9767

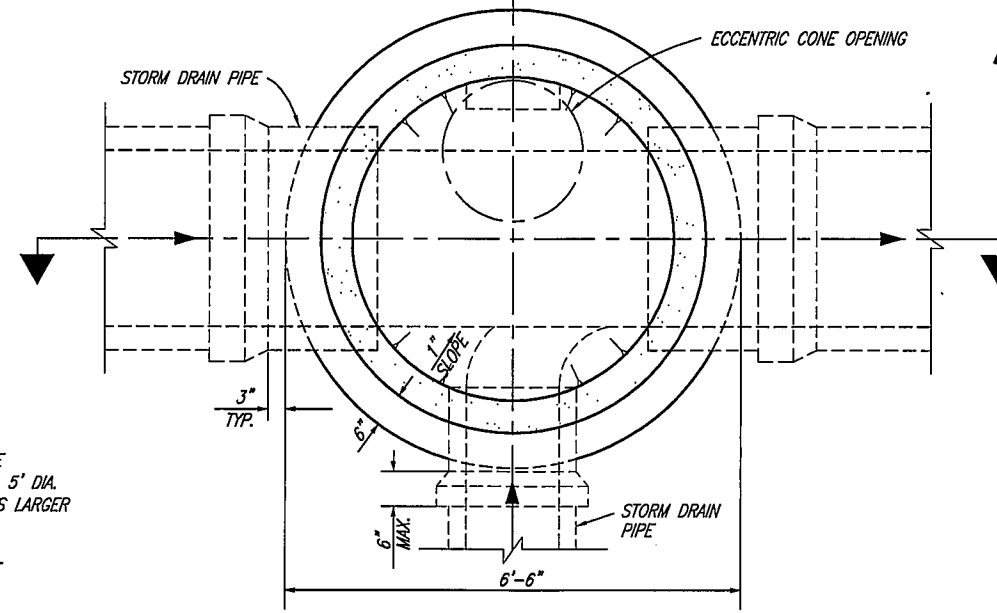
BOX ELDER COUNTY	SHEET:
ROAD, STORM DRAIN, AND FENCING STANDARD DRAWINGS	9
TYPE V CATCH BASIN & OUTLET DIPSTONE DETAILS	OF 12 SHEETS

OPENING IN PIPE SCORED BY MFR. BREAKOUT OR SAW CUT IN FIELD AT LOCATIONS. CUT BACK REINF. MESH AND GROUT OVER BREAK OUT SURFACES



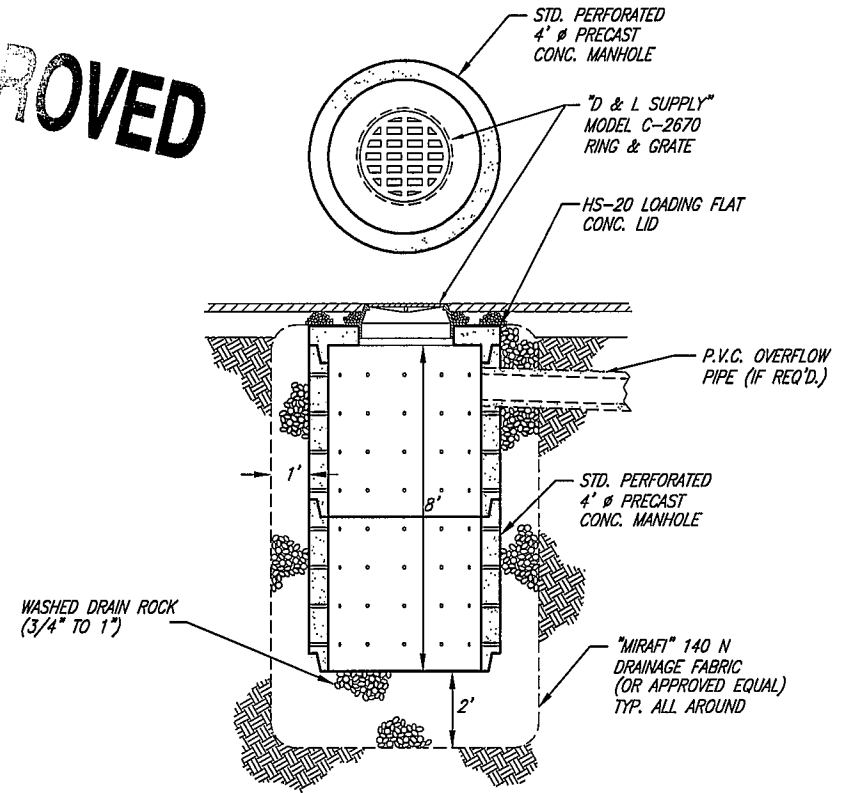
TYPICAL LINE MANHOLE

- NOTES:
- 4' DIA. MANHOLE REQ'D WHERE LINE SIZE IS 21" OR SMALLER, 5' DIA. MANHOLE REQ'D WHERE LINE SIZE IS LARGER THEN 21"
 - NO MORE THAN 12" OF GRADE RINGS TO BE ALLOWED ON ANY MANHOLE

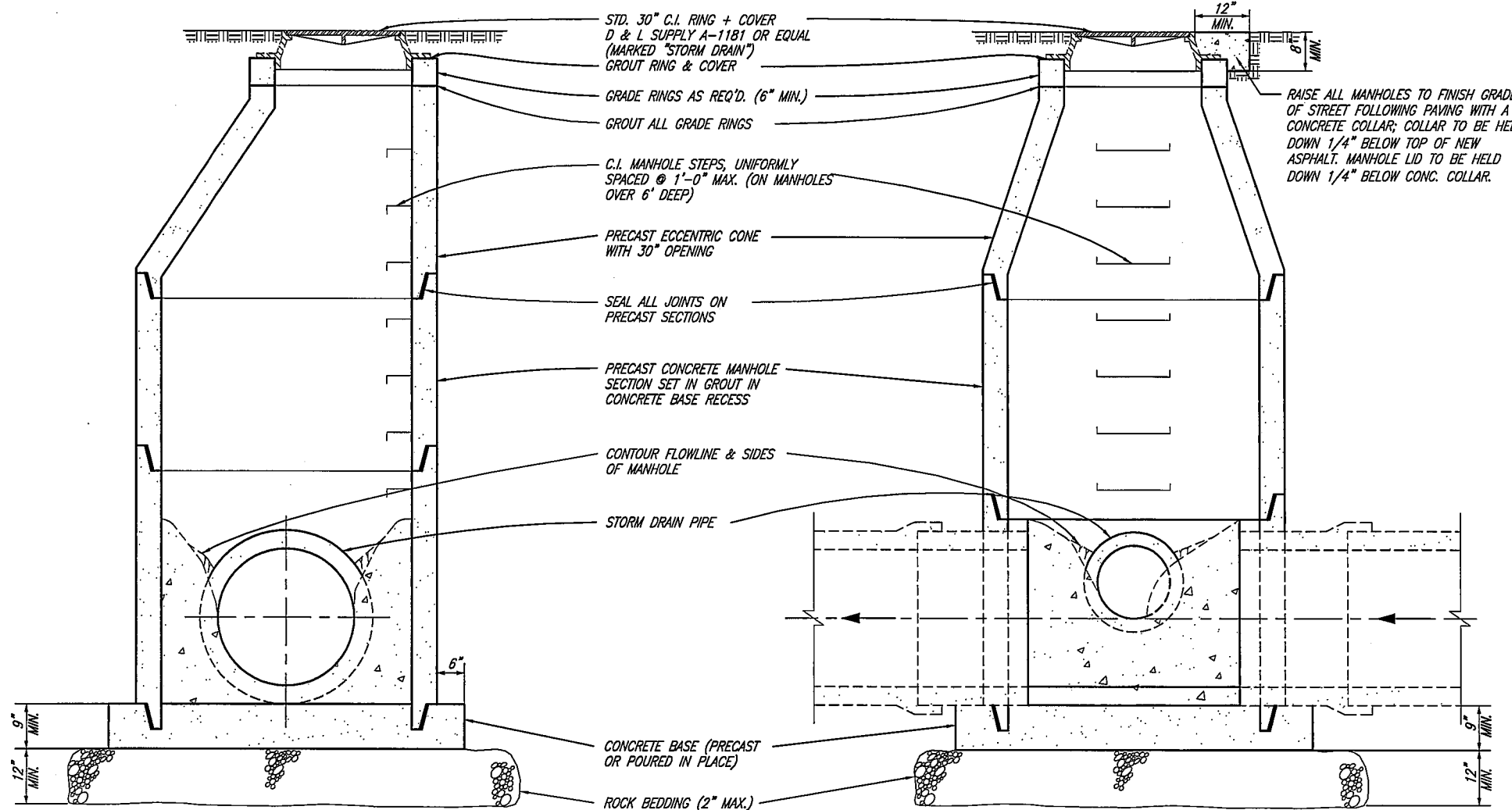


TYPICAL JUNCTION MANHOLE

APPROVED



TYPICAL SUMP DETAIL



RAISE ALL MANHOLES TO FINISH GRADE OF STREET FOLLOWING PAVING WITH A CONCRETE COLLAR; COLLAR TO BE HELD DOWN 1/4" BELOW TOP OF NEW ASPHALT. MANHOLE LID TO BE HELD DOWN 1/4" BELOW CONC. COLLAR.

COMPACTED OR WATER CONSOLIDATED BACKFILL (SEE NO. OGDEN CITY STDS.)

4" MIN DIA. (LATERAL DRAINS)
8" MIN. DIA. (MAIN LINE DRAIN)

PERFORATED OR OPEN JOINT DRAIN PIPE (IF P.V.C., IT MUST BE GREEN IN COLOR)

NOTE: SLOTTED CORRUGATED POLYETHYLENE DRAINAGE TUBING IS ACCEPTABLE WHEN INSTALLED WITH DIRECT BURIAL METHOD AND LASER GRADE CONTROL

GRAVEL BACKFILL FOR DRAIN ENVELOPE - GRADATION OF FILTER MATERIAL TO BE APPROVED BY THE COUNTY ENGINEER

OVER EXCAVATE PIPE TRENCH MIN. 4" GRAVEL OR AS DIRECTED BY THE COUNTY ENGINEER

PROJECT ENGINEER	REV.	DATE	APPR.
DATE			

SCALE:

N.T.S.

DESIGNED BWS
DRAWN BEB
CHECKED KLJ



CONSULTING ENGINEERS

1716 East 5600 South
South Ogden, Utah 84403 (801) 476-9767

BOX ELDER COUNTY

ROAD, STORM DRAIN, AND FENCING STANDARD DRAWINGS

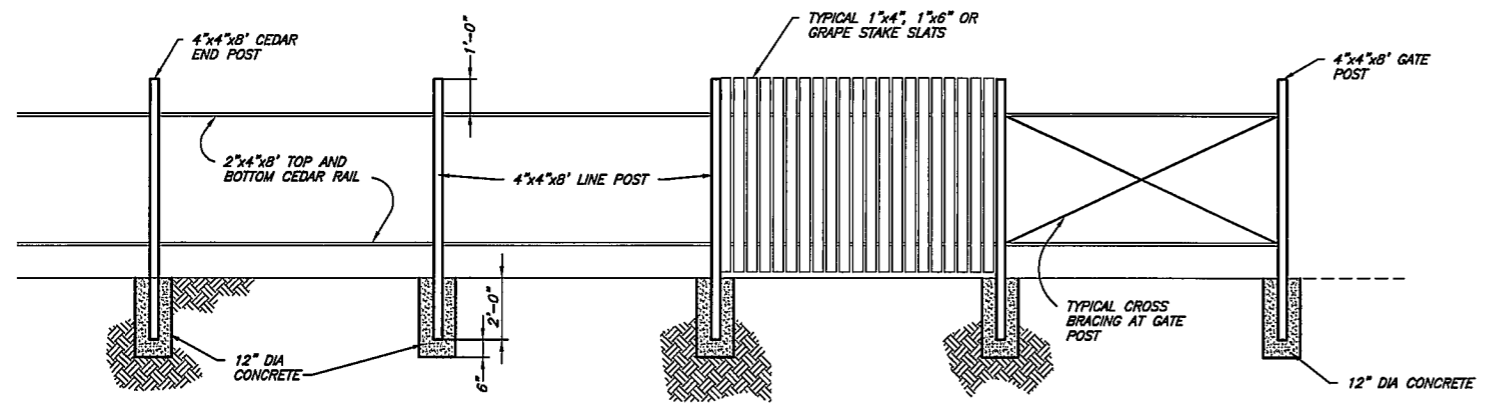
STORM DRAIN M.H. & SUBSURFACE DRAIN DETAILS

SHEET:

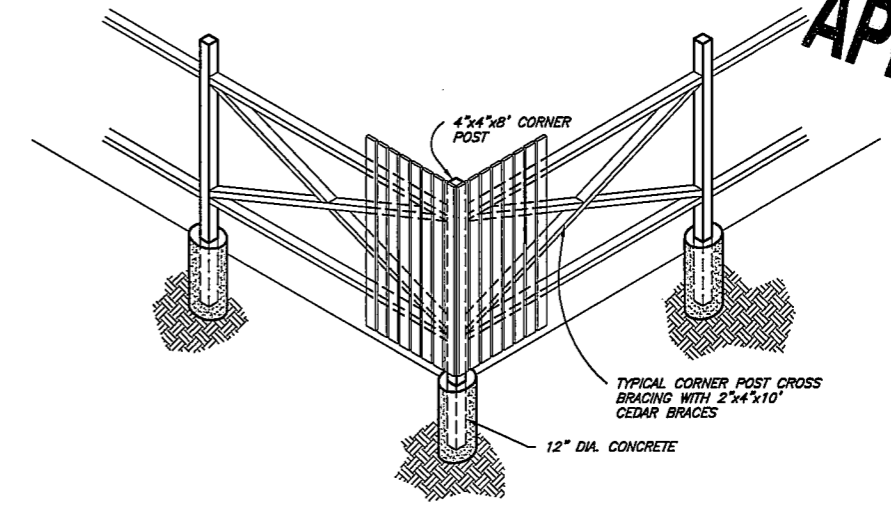
10

OF 12 SHEETS

APPROVED

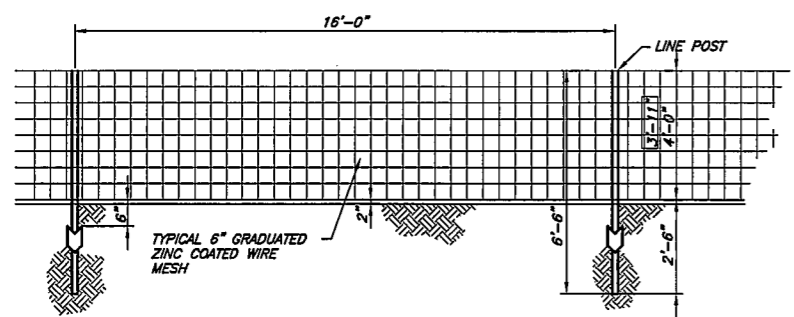


TYPICAL WOOD FENCE

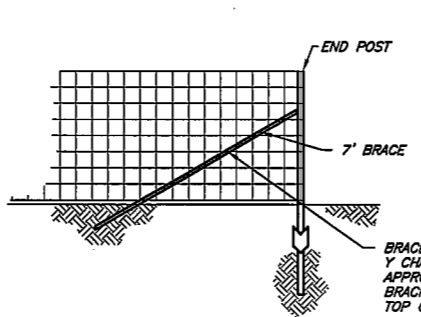


CORNER POST DETAIL

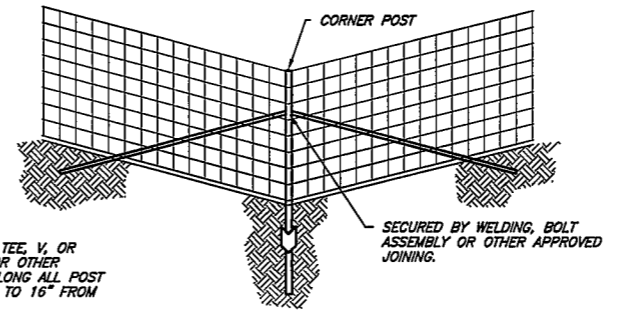
NOTE: THIS SHEET SPECIFIES VARIOUS FENCING TYPES TO BE CONSTRUCTED WHEN CALLED FOR BY THE COUNTY ENGINEER.



TYPICAL WIRE FENCE

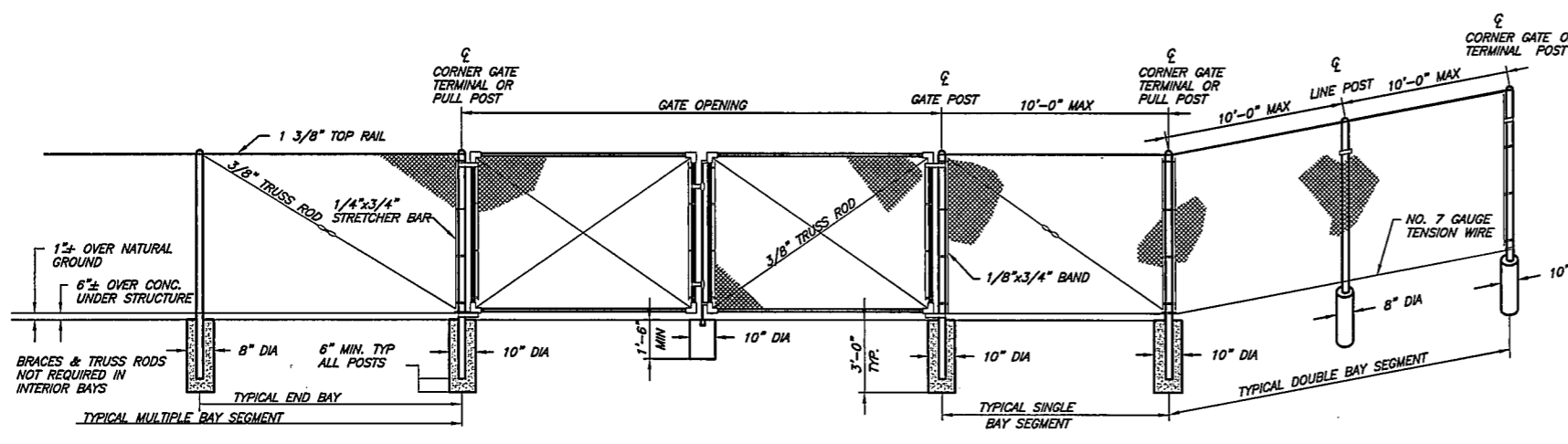


END POST BRACING DETAIL



CORNER POST DETAIL

GATES			
GATE POST AND GATE FRAMES			
HEIGHT	GATE OPENING	GATE POST	GATE FRAME
6 FEET AND OVER	SINGLE TO 6' OR DOUBLE TO 12'	2 5/8"	1 1/2"
	SINGLE OVER 6' TO 13' OR DOUBLE OVER 12' TO 24'	3 1/2"	
	SINGLE OVER 13' TO 18' OR DOUBLE OVER 24' TO 36'	6"	
	SINGLE TO 18' OR DOUBLE OVER 36'	8"	



TYPICAL CHAIN LINK FENCE

TYPICAL TIE DETAIL **KNUCKLED SELVAGE** **TOP GATE HINGE** **BOTTOM GATE HINGE** **CENTER GATE STOP** **DROP ROD ASSEMBLY**

BRACE & TRUSS CONNECTIONS

NOTES:

- ALL FABRIC SHALL BE 6" HIGH CHAIN LINK OF 2" GALVANIZED MESH OF 9 GAUGE.
- ALL STEEL PIPE MEMBERS SHALL CONFORM TO THE REQUIREMENTS OF A.S.T.M. DESIGNATION A-120, SCHEDULE 40, HOT DIPPED ZINC COATED STEEL PIPE.
- ALL POST SHALL BE SET IN CONCRETE AND TOPPED WITH BALL TYPE OR OTHER APPROVED ORNAMENT.
- ALL END, CORNER OR PULL POST SHALL BE 9 FEET IN LENGTH WITH A MINIMUM DIAMETER OF 2 7/8 INCHES. ALL LINE POST SHALL BE 8 FEET 8 INCHES IN LENGTH WITH A MINIMUM DIAMETER OF 1 7/8 INCHES.

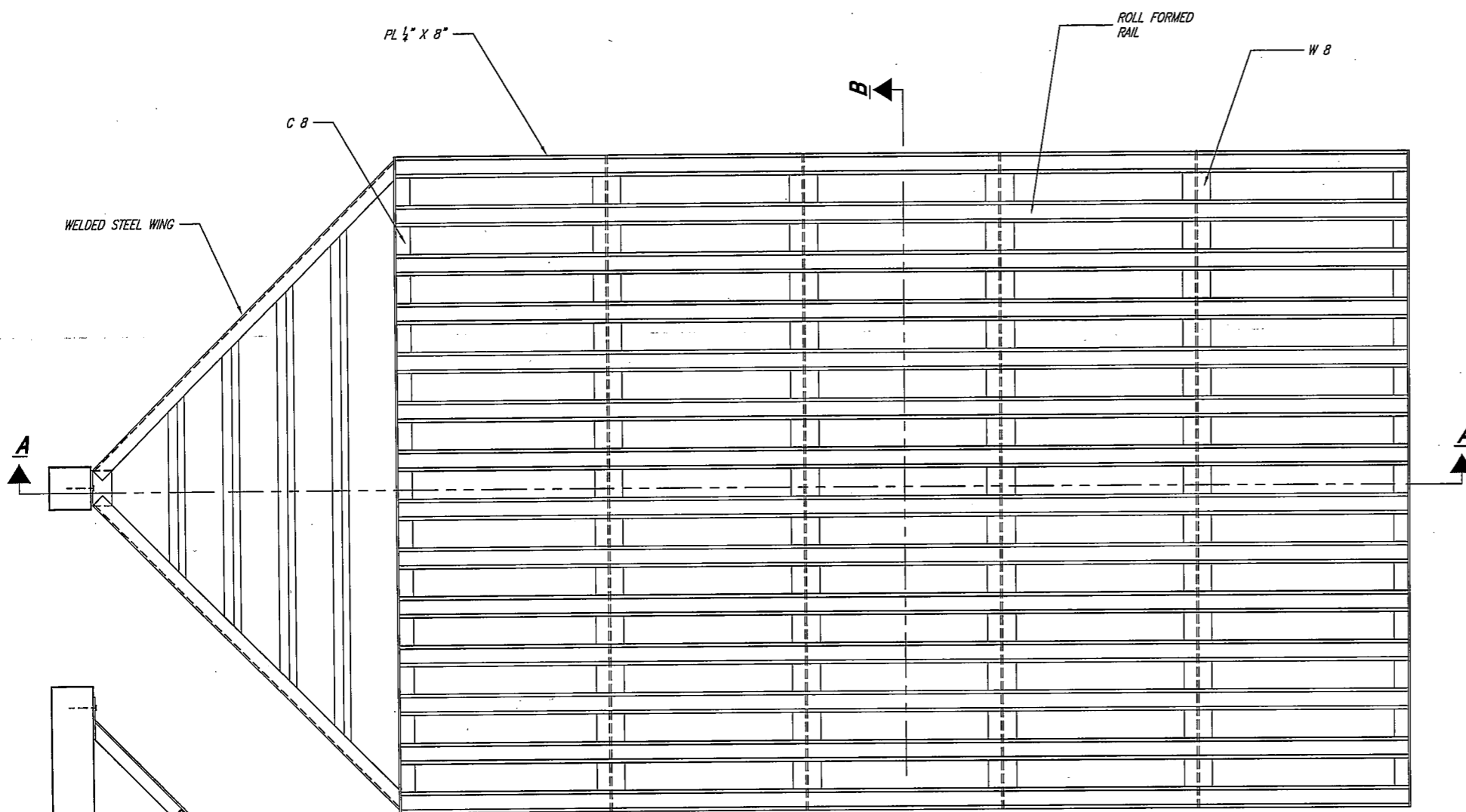
PROJECT ENGINEER	REV.	DATE	APPR.
DATE			

SCALE: N.T.S.
 DESIGNED RWS
 DRAWN BEB
 CHECKED KLJ

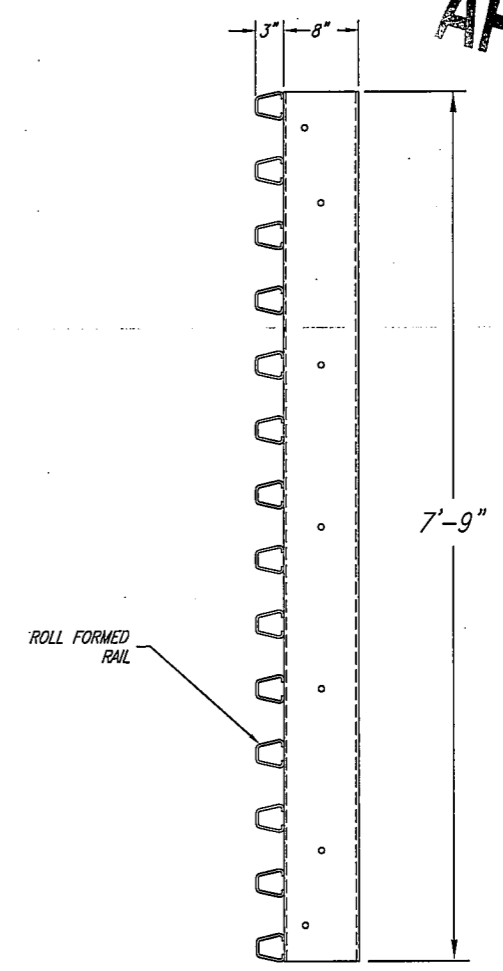


J.A. JONES & ASSOCIATES
 CONSULTING ENGINEERS
 1716 East 5600 South
 South Ogden, Utah 84403 (801) 476-9767

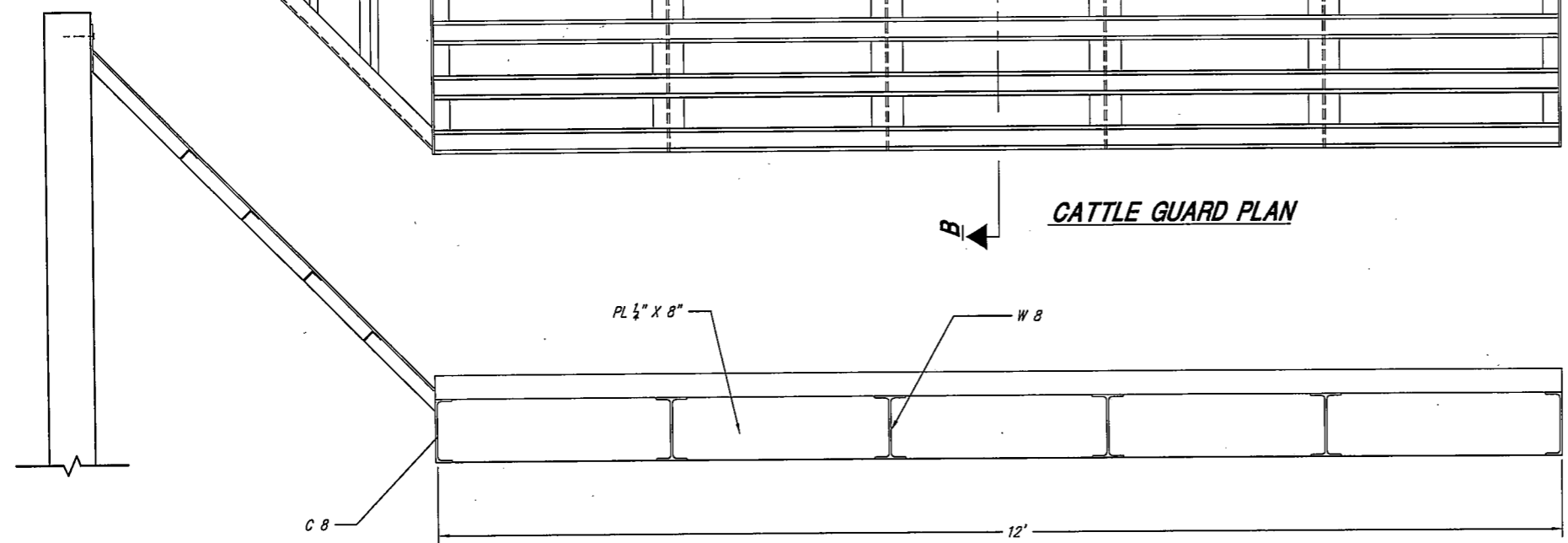
BOX ELDER COUNTY
 ROAD, STORM DRAIN, AND FENCING STANDARD DRAWINGS
FENCING STANDARD DETAILS



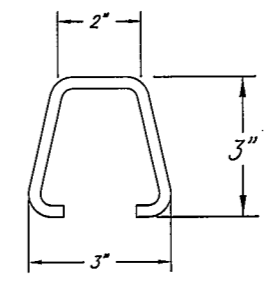
CATTLE GUARD PLAN



SECTION B-B



SECTION A-A



RAIL DETAIL

ROADWAY: MIN. WIDTH 20' - MAX. WIDTH 24'

APPROVED

PROJECT ENGINEER	REV.	DATE	APPR.
DATE			

SCALE: N.T.S.
 DESIGNED: BWS
 DRAWN: JSC
 CHECKED: KLJ

J&A CONSULTING ENGINEERS
 JONES & ASSOCIATES
 1716 East 5600 South
 South Ogden, Utah 84403 (801) 476-9767

BOX ELDER COUNTY
 PUBLIC WORKS STANDARDS
CATTLE GUARD DETAIL

SHEET: **12**
 OF 12 SHEETS